

Description: 2400-2500/4900-5925MHz Swivel
WiFi Antenna with coax feed

Series: STICK ANTENNA

PART NUMBER: W1039B030



Antenna



Mounting grommet,
supplied with Antenna

Features:

- Frequency:
 - 2400-2500/4900-5925MHz
- VSWR: 2:1
- Gain: 1 dBi / 2 dBi
- Efficiency: 60% / 50 %
- Length 88 mm (90 deg bent)
- 76 mm coax with U.FL
- RoHS Compliant

Applications:

- 2.4GHz and 5GHz radios
- Indoor use
- WiFi, Bluetooth, Zigbee
- Routers, Gateways, Data terminals
- IoT
- Automation, security

All dimensions are in mm / inches

Issue: 1904

In the effort to improve our products, we reserve the right to make changes judged to be necessary.

CONFIDENTIAL AND PROPRIETARY INFORMATION

This document contains confidential and proprietary information of Pulse Electronics, Inc. (Pulse) and is protected by copyright, trade secret and other state and federal laws. Its receipt or possession does not convey any rights to reproduce, disclose its contents, or to manufacture, use or sell anything it may describe. Reproduction, disclosure or use without specific written authorization of Pulse is strictly forbidden.

For more information:

Pulse Worldwide Headquarters
15255 Innovation Drive #100
San Diego, CA 92128
USA
Tel: 1-858-674-8100

Pulse/Larsen Antennas
18110 SE 34th St Bldg 2 Suite 250
Vancouver, WA 98683
USA
Tel: 1-360-944-7551

Europe Headquarters
Pulse GmbH & Do, KG
Zeppelinstrasse 15
Herrenberg, Germany

Pulse (Suzhou) Wireless Products Co, Inc.
99 Huo Ju Road(#29 Bldg,4th Phase
Suzhou New District
Jiangsu Province, Suzhou 215009 PR China
Tel: 86 512 6807 9998

Description: 2400-2500/4900-5925MHz Swivel
WiFi Antenna with coax feed

Series: STICK ANTENNA

PART NUMBER: W1039B030

ELECTRICAL SPECIFICATIONS

Antenna Type	Dipole Antenna
Frequency	2400-2500MHz/4900-5925MHz
Nominal Impedance	50 Ω
VSWR	2:1(MAX)
Radiation Pattern	Omni
Gain	>1dBi / >2dBi
Efficiency	>60% / > 50%
Polarization	Vertical
Power Withstanding	2 W

MECHANICAL SPECIFICATIONS

Overall Length	181.3 mm
Weight	7.46 g
Antenna Color / Material	TPEE63D / Black
Connector type	Similar with U.FL
Cable type	Φ1.13mm coaxial cable
Cable length	76 mm

ENVIRONMENTAL SPECIFICATIONS

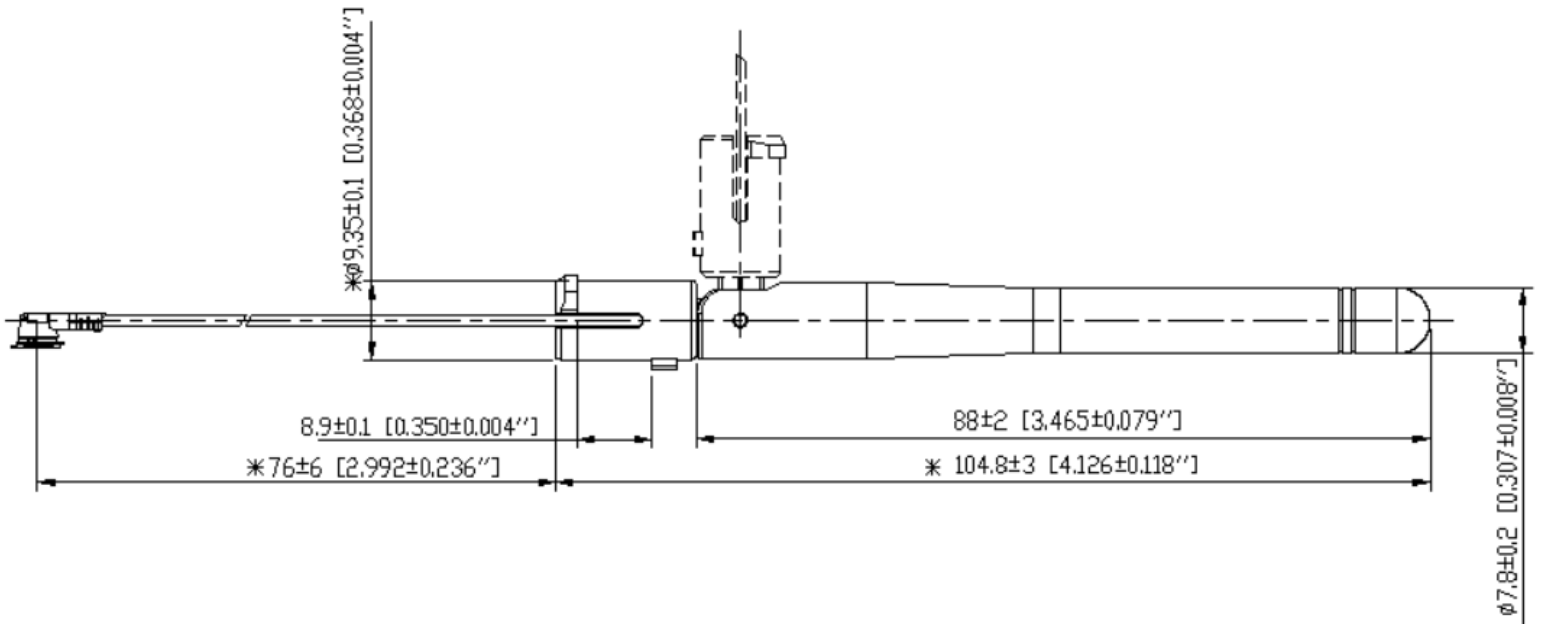
Operating Temperature	-20 ~ +70 ° C
Storage Temperature	-30 ~ +80 ° C
Ingress protection Rating	IP 20 Indoor use
RoHS Compliant	Yes

Description: 2400-2500/4900-5925MHz Swivel
WiFi Antenna with coax feed

Series: STICK ANTENNA

PART NUMBER: W1039B030

MECHANICAL DRAWING



Issue: 1904

In the effort to improve our products, we reserve the right to make changes judged to be necessary.

CONFIDENTIAL AND PROPRIETARY INFORMATION

This document contains confidential and proprietary information of Pulse Electronics, Inc. (Pulse) and is protected by copyright, trade secret and other state and federal laws. Its receipt or possession does not convey any rights to reproduce, disclose its contents, or to manufacture, use or sell anything it may describe. Reproduction, disclosure or use without specific written authorization of Pulse is strictly forbidden.

Description: 2400-2500/4900-5925MHz Swivel
WiFi Antenna with coax feed

Series: STICK ANTENNA

PART NUMBER: W1039B030

TEST SETUP

SETUP1:



SETUP2:



Note: Free space radiation pattern is tested only in SETUP1.

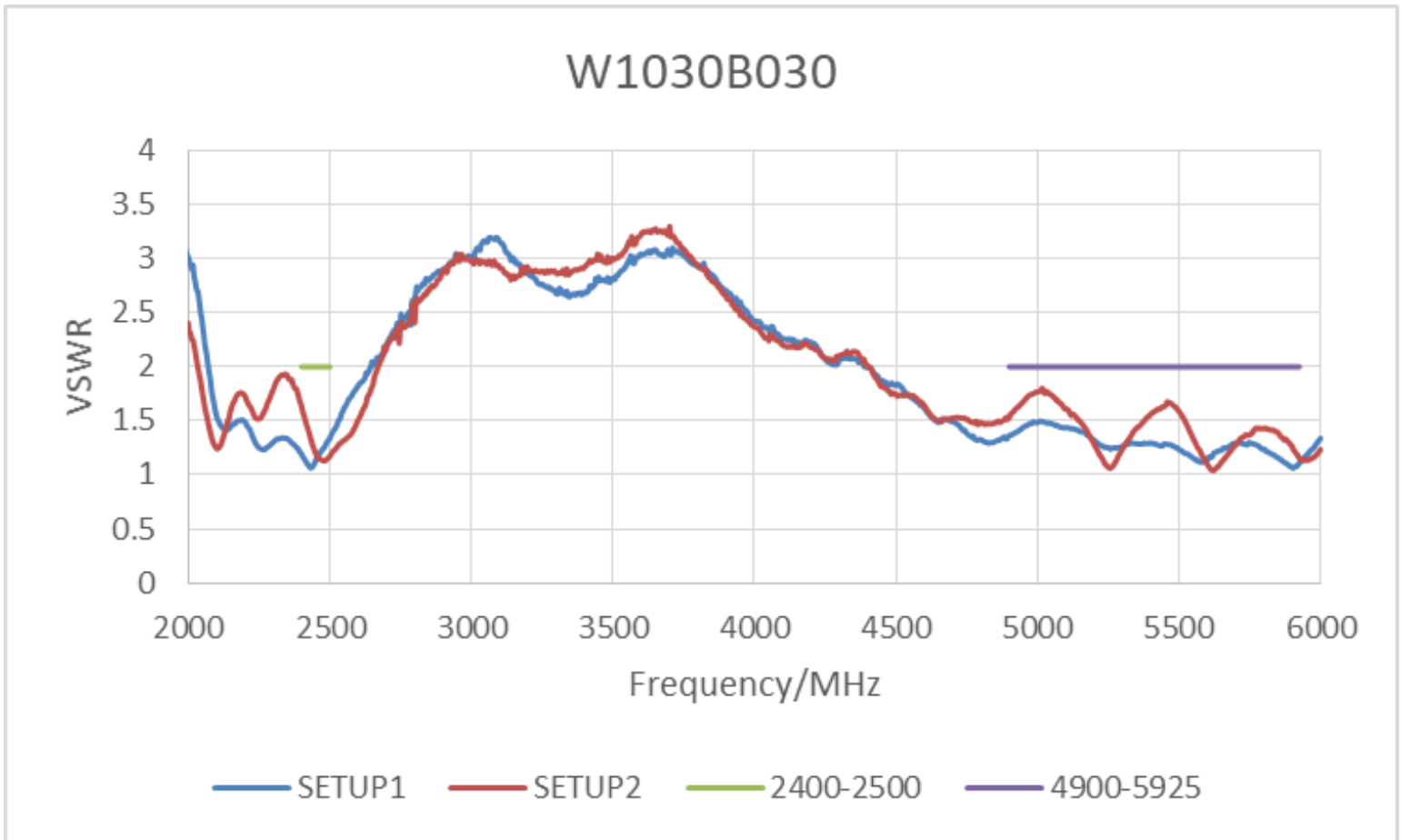
Description: 2400-2500/4900-5925MHz Swivel WiFi Antenna with coax feed

Series: STICK ANTENNA

PART NUMBER: W1039B030

CHARTS

Voltage standing-wave ratio



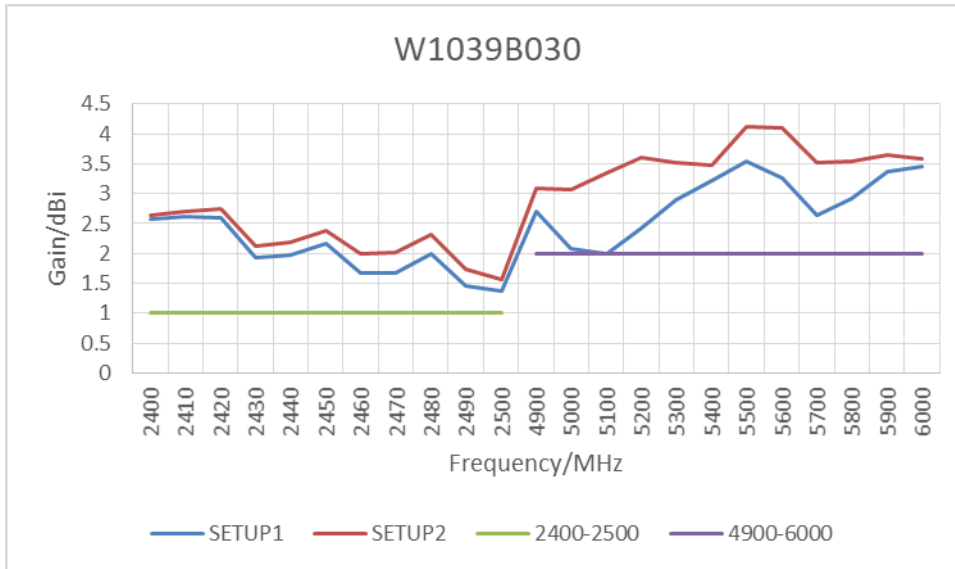
Description: 2400-2500/4900-5925MHz Swivel WiFi Antenna with coax feed

Series: STICK ANTENNA

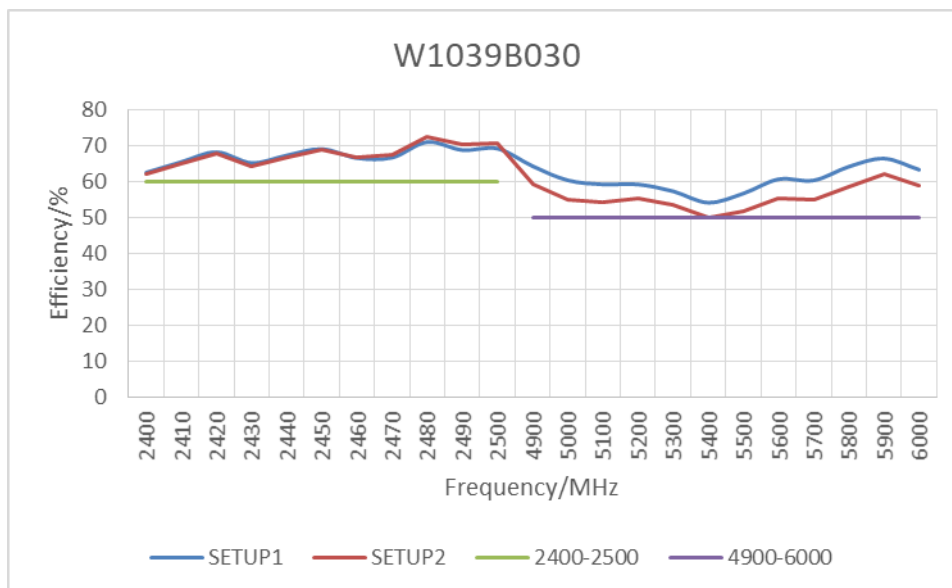
PART NUMBER: W1039B030

CHARTS

Peaking Gain



Radiation Efficiency



Issue: 1904

In the effort to improve our products, we reserve the right to make changes judged to be necessary.

CONFIDENTIAL AND PROPRIETARY INFORMATION

This document contains confidential and proprietary information of Pulse Electronics, Inc. (Pulse) and is protected by copyright, trade secret and other state and federal laws. Its receipt or possession does not convey any rights to reproduce, disclose its contents, or to manufacture, use or sell anything it may describe. Reproduction, disclosure or use without specific written authorization of Pulse is strictly forbidden.

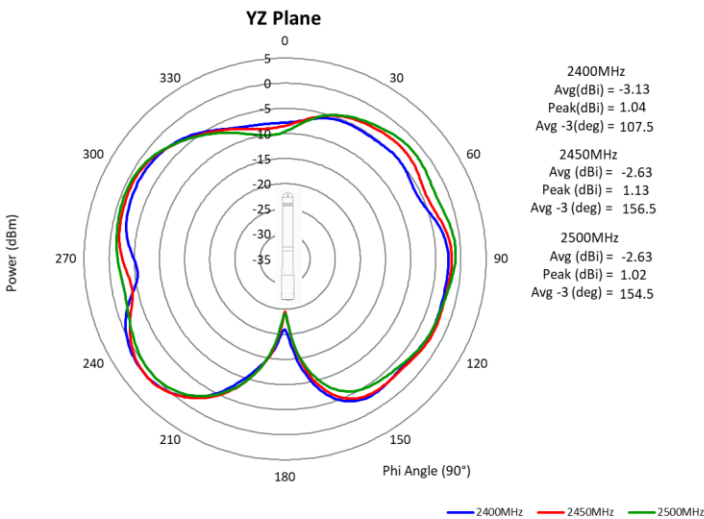
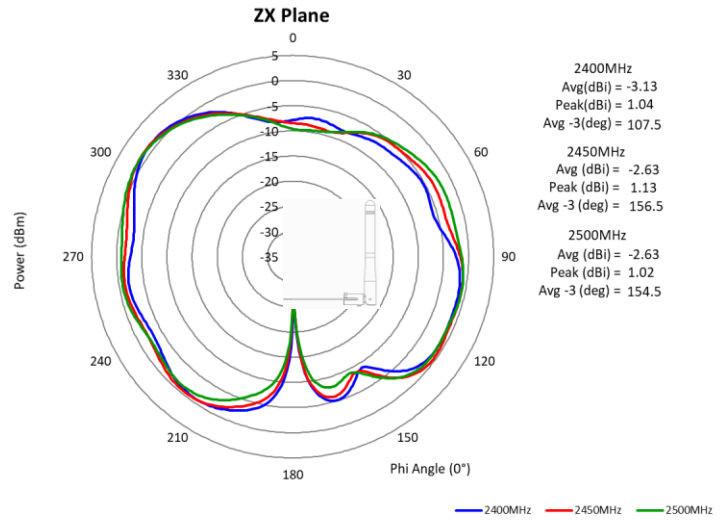
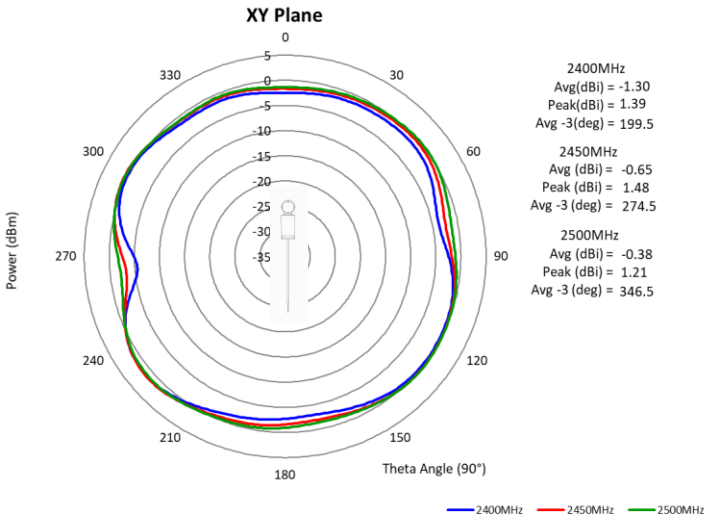
Description: 2400-2500/4900-5925MHz Swivel WiFi Antenna with coax feed

Series: STICK ANTENNA

PART NUMBER: W1039B030

CHARTS

Free space Radiation Patterns/2400-2500MHz



Issue: 1904

In the effort to improve our products, we reserve the right to make changes judged to be necessary.

CONFIDENTIAL AND PROPRIETARY INFORMATION

This document contains confidential and proprietary information of Pulse Electronics, Inc. (Pulse) and is protected by copyright, trade secret and other state and federal laws. Its receipt or possession does not convey any rights to reproduce, disclose its contents, or to manufacture, use or sell anything it may describe. Reproduction, disclosure or use without specific written authorization of Pulse is strictly forbidden.

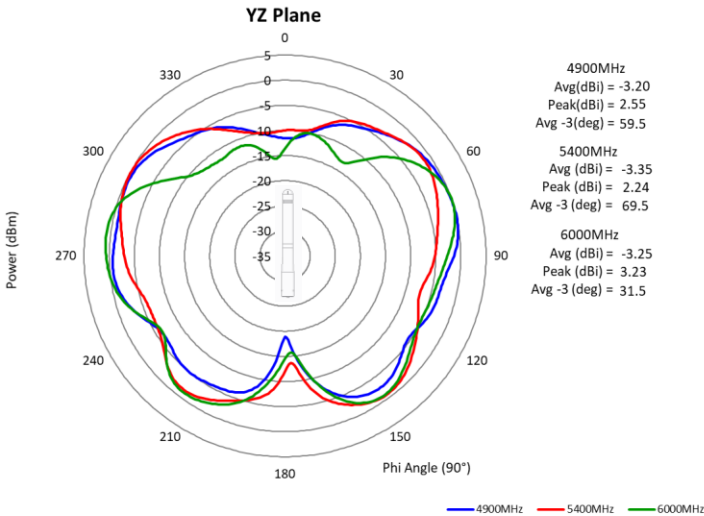
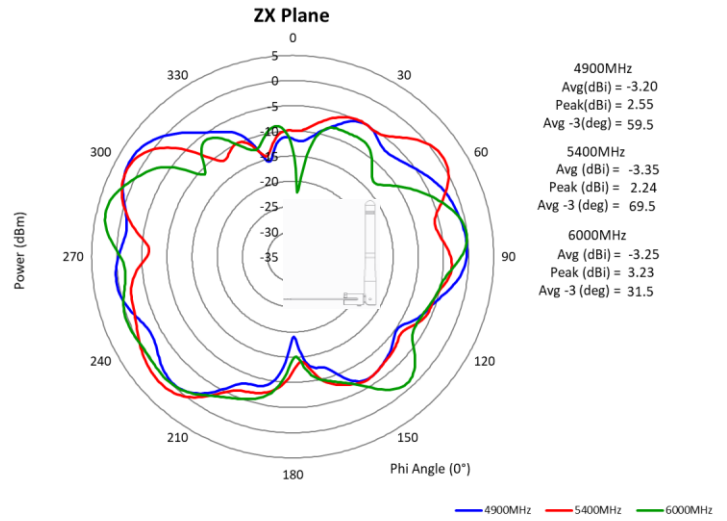
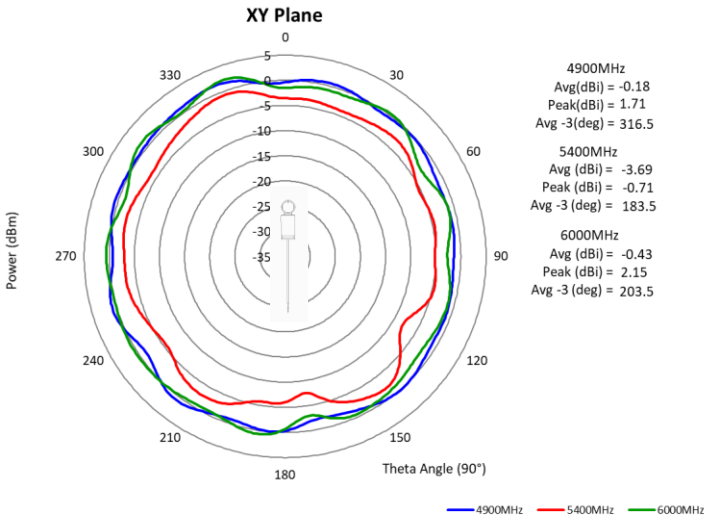
Description: 2400-2500/4900-5925MHz Swivel WiFi Antenna with coax feed

Series: STICK ANTENNA

PART NUMBER: W1039B030

CHARTS

Free space Radiation Patterns/4900-6000MHz



Issue: 1904

In the effort to improve our products, we reserve the right to make changes judged to be necessary.

CONFIDENTIAL AND PROPRIETARY INFORMATION

This document contains confidential and proprietary information of Pulse Electronics, Inc. (Pulse) and is protected by copyright, trade secret and other state and federal laws. Its receipt or possession does not convey any rights to reproduce, disclose its contents, or to manufacture, use or sell anything it may describe. Reproduction, disclosure or use without specific written authorization of Pulse is strictly forbidden.

Description: 2400-2500/4900-5925MHz Swivel
WiFi Antenna with coax feed

Series: STICK ANTENNA

PART NUMBER: W1039B030

PACKAGING

Quantity: 1200 PCS per Box

Packaging Steps:

1. Place 20pcs products into PE bag
2. Apply HF & RoHS label onto PE bag and seal bag.

Description: 2400-2500/4900-5925MHz Swivel
WiFi Antenna with coax feed

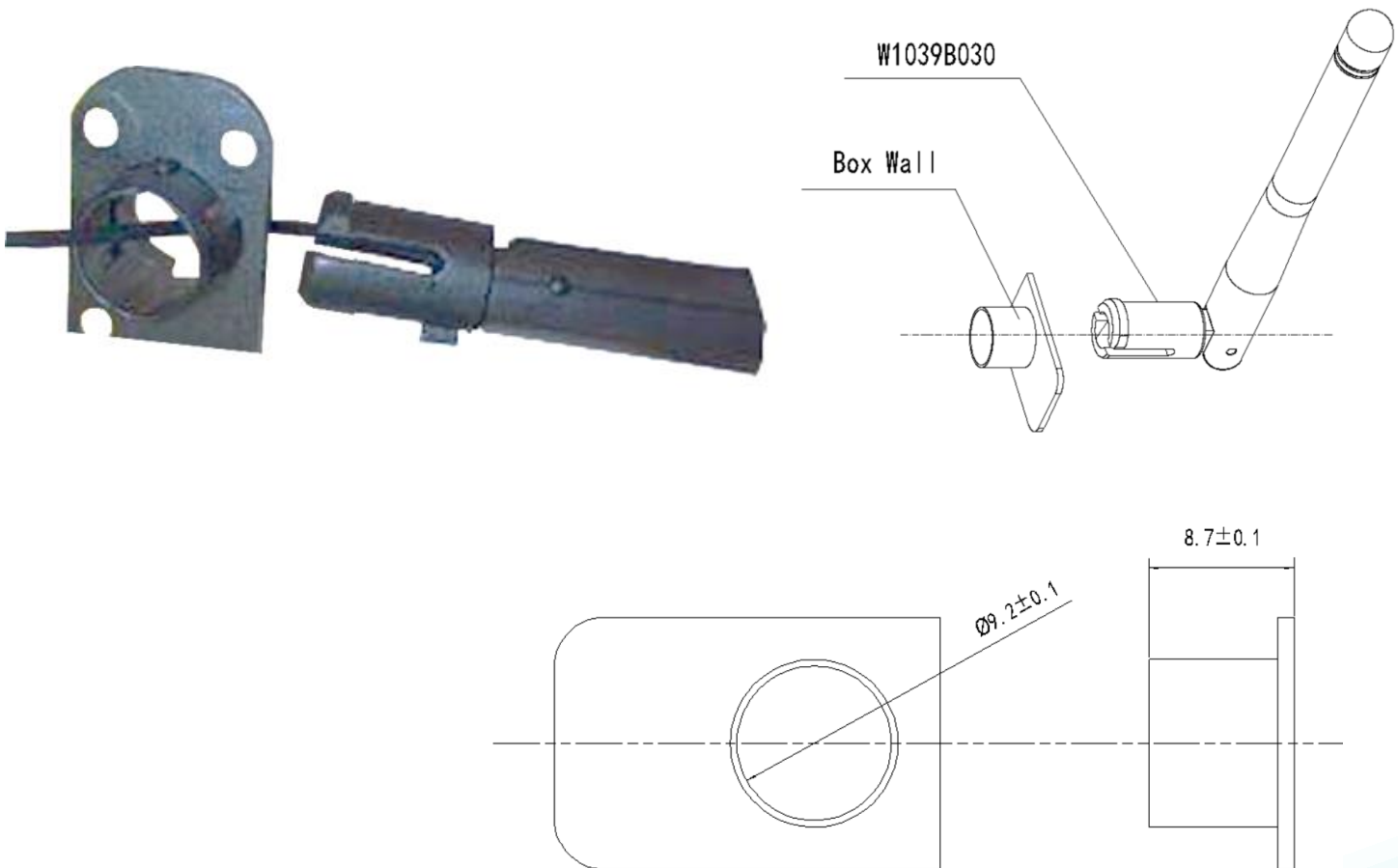
Series: STICK ANTENNA

PART NUMBER: W1039B030

ASSEMBLY

The antenna has two kinds of mounting method

Option 1. If the box wall has the support structure as below, the antenna just directly insert into the hole of the box wall. The suggestion hole size is shown in the drawing.



Issue: 1904

In the effort to improve our products, we reserve the right to make changes judged to be necessary.

CONFIDENTIAL AND PROPRIETARY INFORMATION

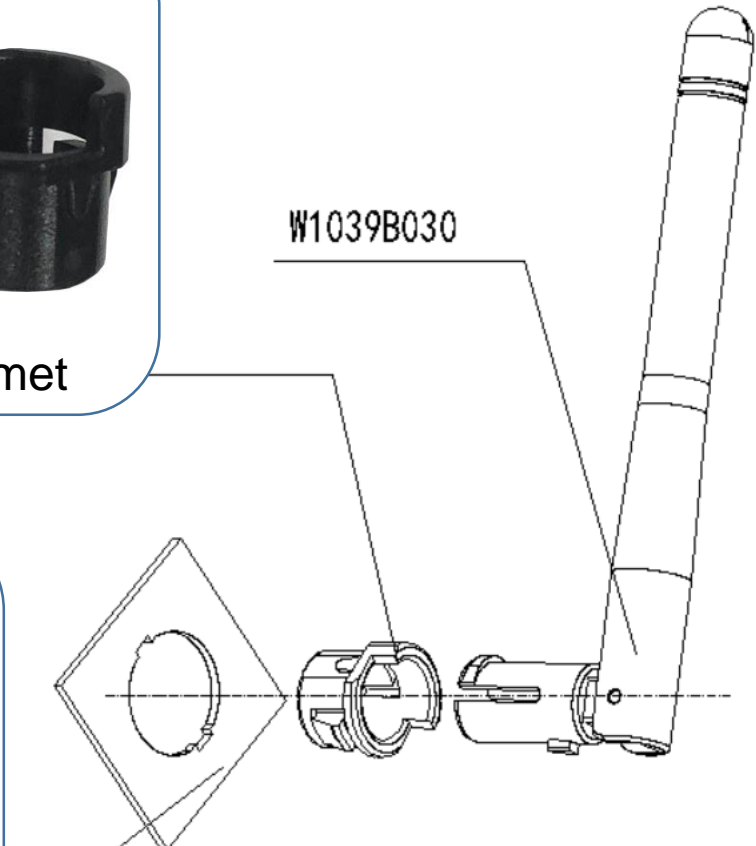
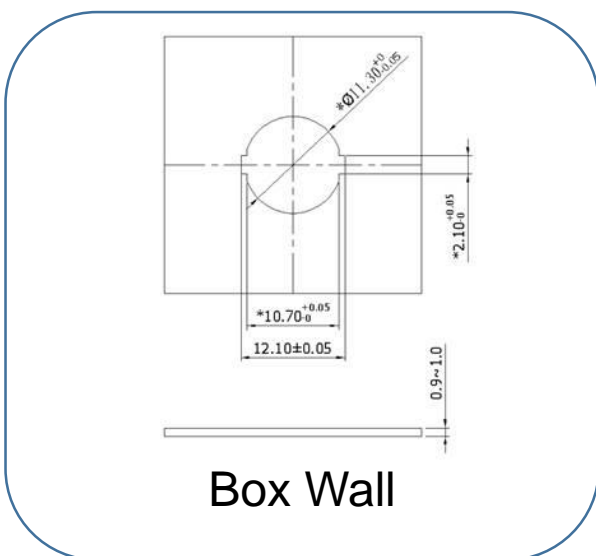
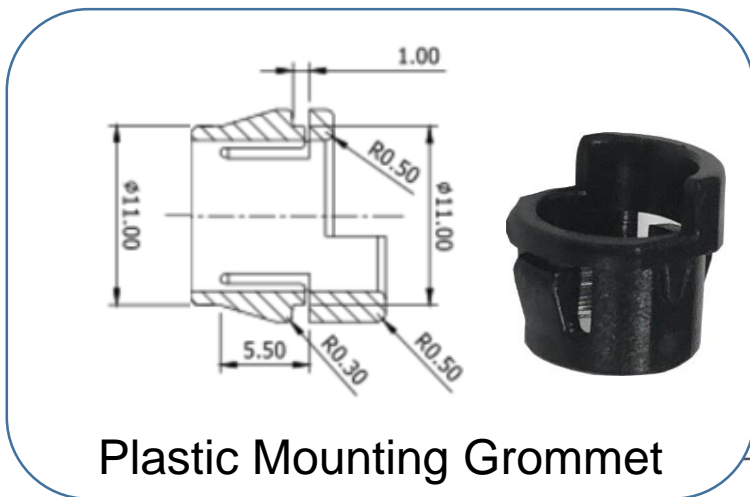
This document contains confidential and proprietary information of Pulse Electronics, Inc. (Pulse) and is protected by copyright, trade secret and other state and federal laws. Its receipt or possession does not convey any rights to reproduce, disclose its contents, or to manufacture, use or sell anything it may describe. Reproduction, disclosure or use without specific written authorization of Pulse is strictly forbidden.

Description: 2400-2500/4900-5925MHz Swivel WiFi Antenna with coax feed

Series: STICK ANTENNA

PART NUMBER: W1039B030

Option 2. If the box wall is flat wall. We should install the plastic mounting grommet we provide into the hole of the box wall firstly, then install the antenna. The suggestion hole size and wall thickness are below.



单击下面可查看定价，库存，交付和生命周期等信息

[>>Pulse\(普思\)](#)