

NOTES:

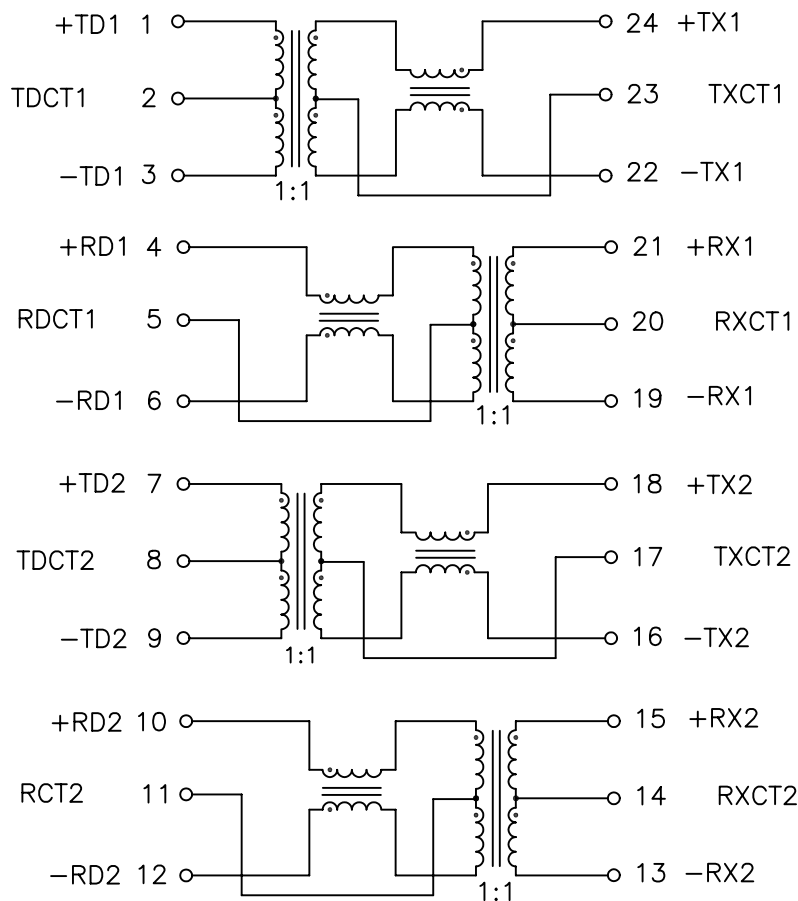
1. ROHS COMPLIANT
2. HEADER: DAP (DIALLYL PHTHALATE) WITH FLAMMABILITY RATING UL 94V-0 OR BETTER.
3. STORAGE TEMPERATURE: -20°C TO +125°C
4. COMPLIANCE TO J-STD:
 - A. J-STD-002: SOLDERABILITY AT 245°C REFLOW PROFILE
 - B. J-STD-020: LEVEL 1, NO MOISTURE SENSITIVE
 - C. J-STD-075: R7, 245°C MAXIMUM THROUGH REFLOW SOLDER
5. TO ORDER TAPE & REEL PACKAGING ADD A "T" SUFFIX TO THE PART NUMBER(i.e H1174FNL BECOMES H1174FNLT).



FINAL OUTLINE

© Copyright, 2014. Pulse Electronics Corp. All rights reserved. Pulse confidential & proprietary. (06/16/14)

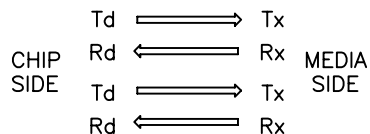
| PRODUCT DESCRIPTION | TLA DRAWING | PS DRAWING | SHEET | PART NO. | DATASHEET REV. |
|-------------------------|-------------|---------------|--------|----------|----------------|
| MDL,DUAL,100D,1:1,SM,TU | H1174FNL-12 | PS-2760.001-A | 1 OF 3 | H1174FNL | A |



SCHEMATIC

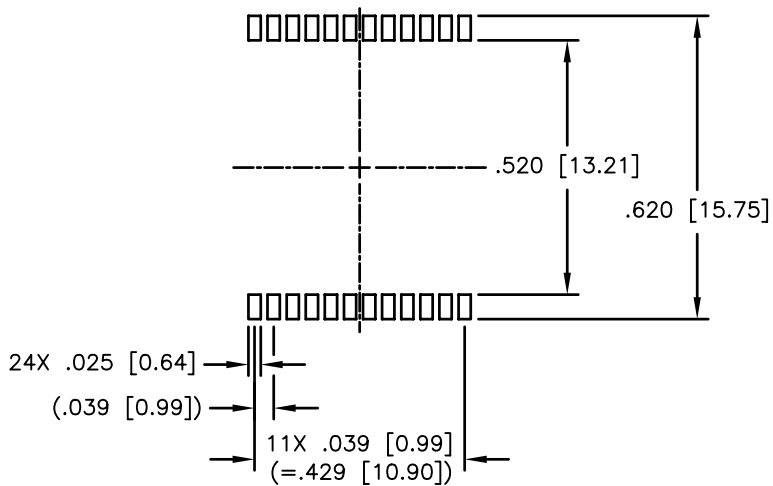
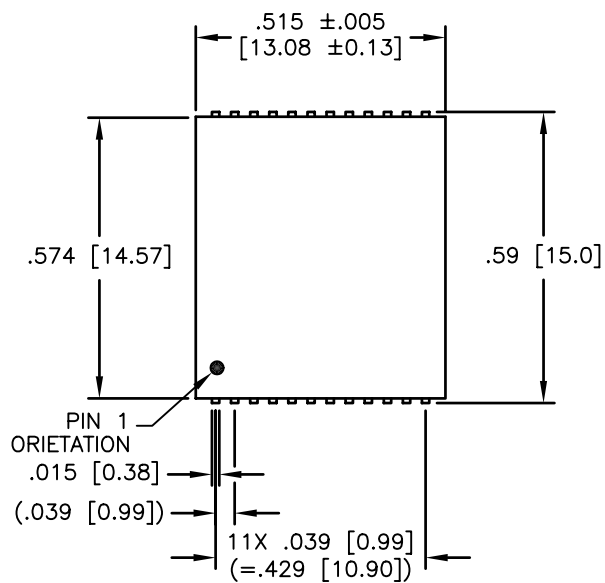
ELECTRICAL CHARACTERISTICS AT +25°C UNLESS OTHER SPECIFIED
MEETS IEEE 802.3 SPECIFICATION

| PARAMETER | SPECIFICATIONS | |
|---|---|--|
| OPERATING TEMP | 0°C – 70 °C | |
| TURNS RATIO | 1 : 1 ±2% | |
| POLARITY | PER SCHEMATIC | |
| INSERTION LOSS | 1–100 MHz | 125 MHz |
| | -1.0 dB MAX | -1.2 dB MAX |
| RETURN LOSS $Z_{OUT} = 100 \text{ OHMS}$ | 1 MHz | 30–80 MHz |
| | -20 dB MIN | -18+26 LOG ₁₀ (f/30 MHz) dB MIN |
| CROSSTALK (TX–RX) | 5–100 MHz | |
| | -50+12 LOG ₁₀ (f/5 MHz) dB MIN | |
| DIFFERENTIAL TO COMMON MODE REJECTION | 5–200 MHz | |
| | -50+17 LOG ₁₀ (f/5 MHz) dB MIN | |
| COMMON MODE REJECTION | -50+17 LOG ₁₀ (f/5 MHz) dB MIN | |
| ISOLATION (INPUT – OUTPUT) | 1500 VRMS 1 MINUTE | |

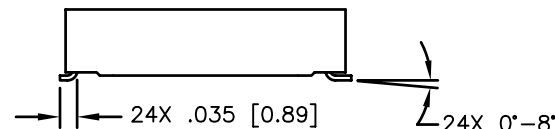
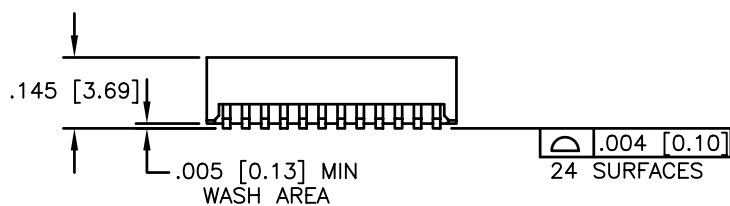


© Copyright, 2014. Pulse Electronics Corp. All rights reserved. Pulse confidential & proprietary. (06/16/14)

| PRODUCT DESCRIPTION | TLA DRAWING | PS DRAWING | SHEET | PART NO. | DATASHEET REV. |
|-------------------------|-------------|---------------|--------|----------|----------------|
| MDL,DUAL,100D,1:1,SM,TU | H1174FNL-12 | PS-2760.001-A | 2 OF 3 | H1174FNL | A |



SUGGESTED LAND PATTERN



DIMENSIONS ARE IN INCHES [MILLIMETERS] WITH THE FOLLOWING TOLERANCES: [MILLIMETERS] ARE FOR REFERENCE ONLY.
 .XX= ±.01 [±0.25]
 .XXX= ±.005 [±0.13]

© Copyright, 2014. Pulse Electronics Corp. All rights reserved. Pulse confidential & proprietary. (06/16/14)

| PRODUCT DESCRIPTION | TLA DRAWING | PS DRAWING | SHEET | PART NO. | DATASHEET REV. |
|-------------------------|-------------|---------------|--------|----------|----------------|
| MDL,DUAL,100D,1:1,SM,TU | H1174FNL-12 | PS-2760.001-A | 3 OF 3 | H1174FNL | A |

单击下面可查看定价，库存，交付和生命周期等信息

[>>Pulse\(普思\)](#)