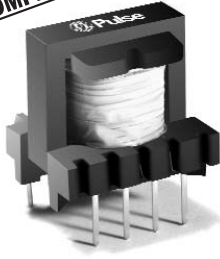


POWER TRANSFORMERS

For TinySwitch™ TNY253, TNY254 and TNY255



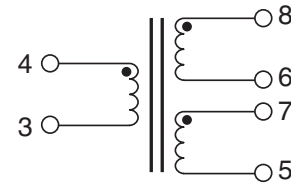
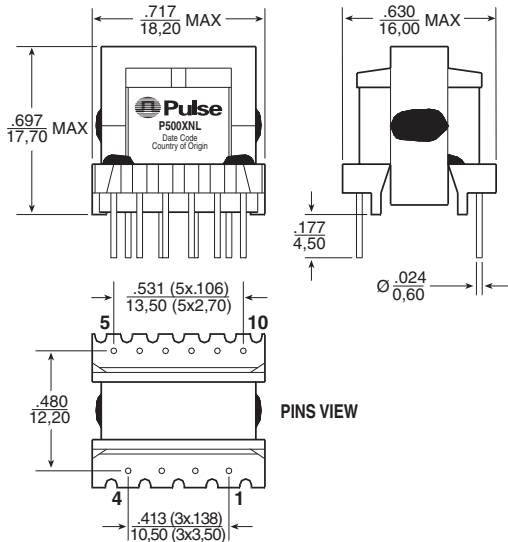
- ⊕ Designed for use with Power Integration TNY253, TNY254 and TNY255 in low cost AC to DC converters for a large range of applications
- ⊕ 4000 Vrms isolation
- ⊕ Materials meet UL 94V-0 and IEC 950
- ⊕ No audible noise
- ⊕ Only two parts to cover a large range of output voltage

Electrical Specifications @ 25°C — Operating Temperature -30°C to +110°C

Part Number	Turns Ratio	Leakage Inductance (μH)	Matched To	Power	Applications
P5000NL	1:0.07:0.07	180 MAX	TNY253	Up to 2 W	AC: 85 to 265 Vac, 2 DC outputs from 3.3 Vdc up to 6 Vdc or 1 DC output from 6 Vdc up to 12 Vdc
P5001NL	1:0.1:0.1	180 MAX			AC: 85 to 265 Vac, 2 DC outputs from 6 Vdc up to 12 Vdc or 1 DC output from 12 Vdc up to 24 Vdc
P5004NL	1:0.07:0.07	200 MAX	TNY254	Up to 4 W	AC: 85 to 265 Vac, 2 DC outputs from 3.3 Vdc up to 5.5 Vdc or 1 DC output from 6 Vdc up to 12 Vdc
P5005NL	1:0.1:0.1	200 MAX			AC: 85 to 265 Vac, 2 DC outputs from 6 Vdc up to 10 Vdc or 1 DC output from 12 Vdc up to 24 Vdc
P5008NL	1:0.07:0.07	100 MAX	TNY255	Up to 5.5 W	AC: 85 to 265 Vac, 2 DC outputs from 3.3 Vdc up to 6 Vdc or 1 DC output from 6 Vdc up to 18 Vdc
P5009NL	1:0.1:0.1	100 MAX			AC: 85 to 265 Vac, 2 DC outputs from 6 Vdc up to 12 Vdc or 1 DC output from 12 Vdc up to 24 Vdc

Mechanical

Schematic



Weight 6.7 grams

Tray40/tray

Dimensions: Inches
mm

Unless otherwise specified, all tolerances are ± .010
.025

For More Information:

Pulse Worldwide Headquarters
 12220 World Trade Dr.
 San Diego, CA 92128
 U.S.A.
www.pulseeng.com

Pulse Europe
 Einsteinstrasse 1
 D-71083 Herrenberg
 Germany

Pulse China Headquarters
 B402, Shenzhen
 Tech-Innovation International
 Tenth Kejinan Rd.
 High-Tech Industrial Park
 Nanshan District, Shenzhen
 China

Pulse North China
 Room 1503
 XinYin Building
 No. 888 YiShan Rd.
 Shanghai 200233
 China

Pulse South Asia
 150 Kampong Ampat
 #07-01/02
 KA Centre
 Singapore 368324

Pulse North Asia
 No. 26
 Kao Ching Rd.
 Yang Mei Chen
 Tao Yuan Hsien
 Taiwan, R. O. C.

Tel: 858 674 8100
 Fax: 858 674 8262

Tel: 49 7032 7806 0
 Fax: 49 7032 7806 12

Tel: 86 755 33966678
 Fax: 86 755 33966700

Tel: 86 21 54643211/2
 Fax: 86 21 54643210

Tel: 65 6287 8998
 Fax: 65 6280 0080

Tel: 886 3 4641811
 Fax: 886 3 4641911

Performance warranty of products offered on this data sheet is limited to the parameters specified. Data is subject to change without notice. Other brand and product names mentioned herein may be trademarks or registered trademarks of their respective owners. © Copyright, 2007. Pulse Engineering, Inc. All rights reserved.

www.pulseeng.com

P533.B (11/07)

单击下面可查看定价，库存，交付和生命周期等信息

[>>Pulse\(普思\)](#)