

DATA SHEET

WIRELESS COMPONENTS

Ceramic Chip Antenna

ANT6230LL01R1575A

GPS

6230 Series



FEATURES

- Compact size
- High radiation efficiency
- Reflow process compatible
- RoHS compliant

APPLICATIONS

- Tablet
- Navigation device
- Telematics box
- Fleet management

ORDERING INFORMATION

All part numbers are identified by the series, packing type, material, size, antenna type, working frequency and packing quantity.

PART NUMBER

ANT 6230 L L01 R 1575A

(1) (2) (3) (4) (5) (6)

(1) PRODUCT

ANT = Antenna

(2) SIZE

6230 = 6.2 × 3.0 mm

(3) ANTENNA TYPE

L,F,A = Chip Antenna

(4) SERIAL NO.

L01

(5) PACKING STYLE

R = Tape and Reel

(6) WORKING FREQUENCY

1575 = 1.575GHz

PHYCOMP CTC

CAN4311763011582K

I2NC

431176301158

SPECIFICATION

Table 1

DESCRIPTION	VALUE
Centre Frequency	1.575GHz
Bandwidth	55 MHz(Typ.)
Return Loss	10 dB (min)
Polarization	Linear
Azimuth Beamwidth	Omni-directional
Peak Gain	2.52 dBi(Typ.)
Impedance	50 Ω
Operating Temperature	- 40~105 °C
Maximum Power	1 W
Termination	Ni / Sn (Environmentally-Friendly Leadless)
Resistance to Soldering Heats	260°C , 10sec.

NOTE

I. The specification is defined on Yageo evaluation board

DIMENSIONS

Table 2 Machinical Dimension

	DIMENSION
L (mm)	6.15 ±0.25
W (mm)	3.00 ±0.25
T (mm)	1.25 ±0.15
A (mm)	0.50 ±0.20

OUTLINES

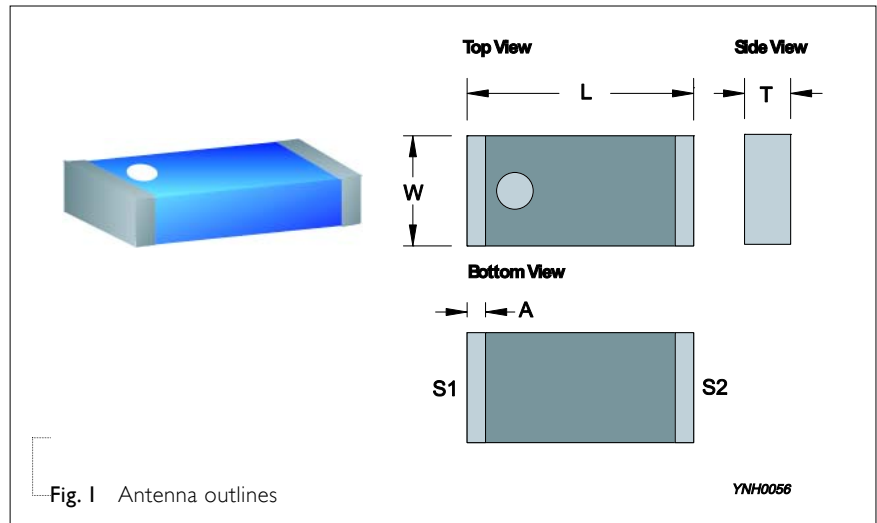


Table 3 Termination configuration

TERMINAL NAME	FUNCTION
S1	Feeding Point
S2	Soldering Point

REFERENCE DESIGN OF EVALUATION BOARD

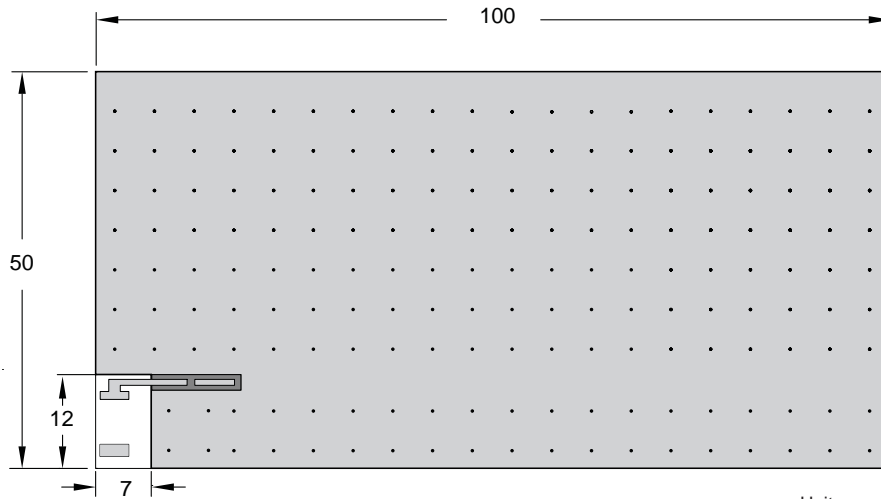


Fig. 3 Outlook and dimension of evaluation board

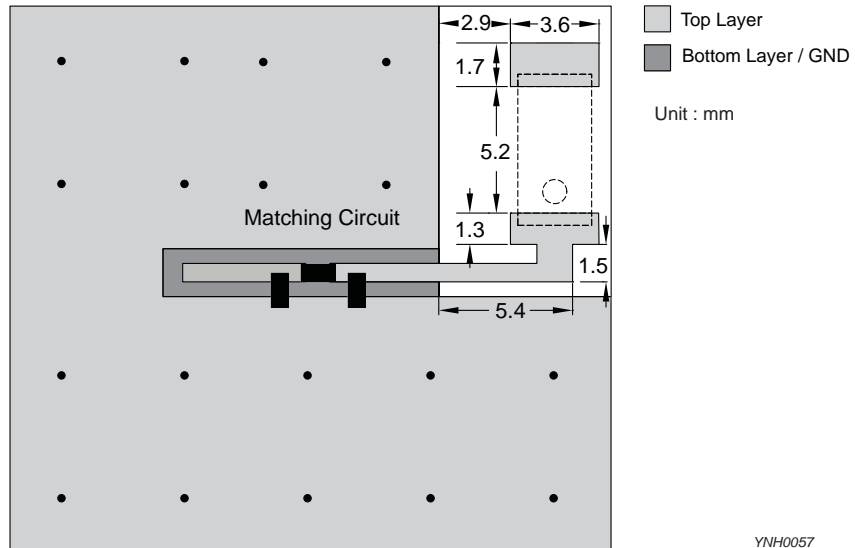


Fig. 4 Details of soldering Pad

ELECTRICAL PERFORMANCES

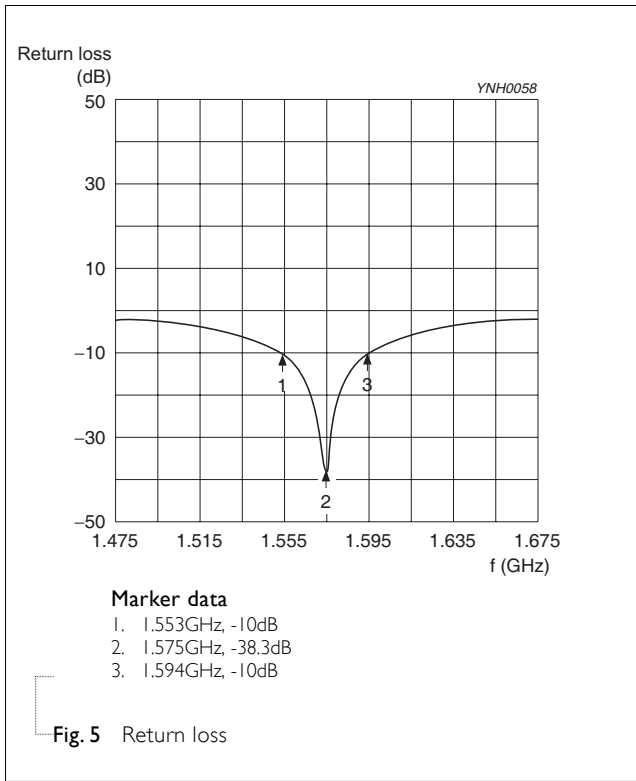


Fig. 5 Return loss

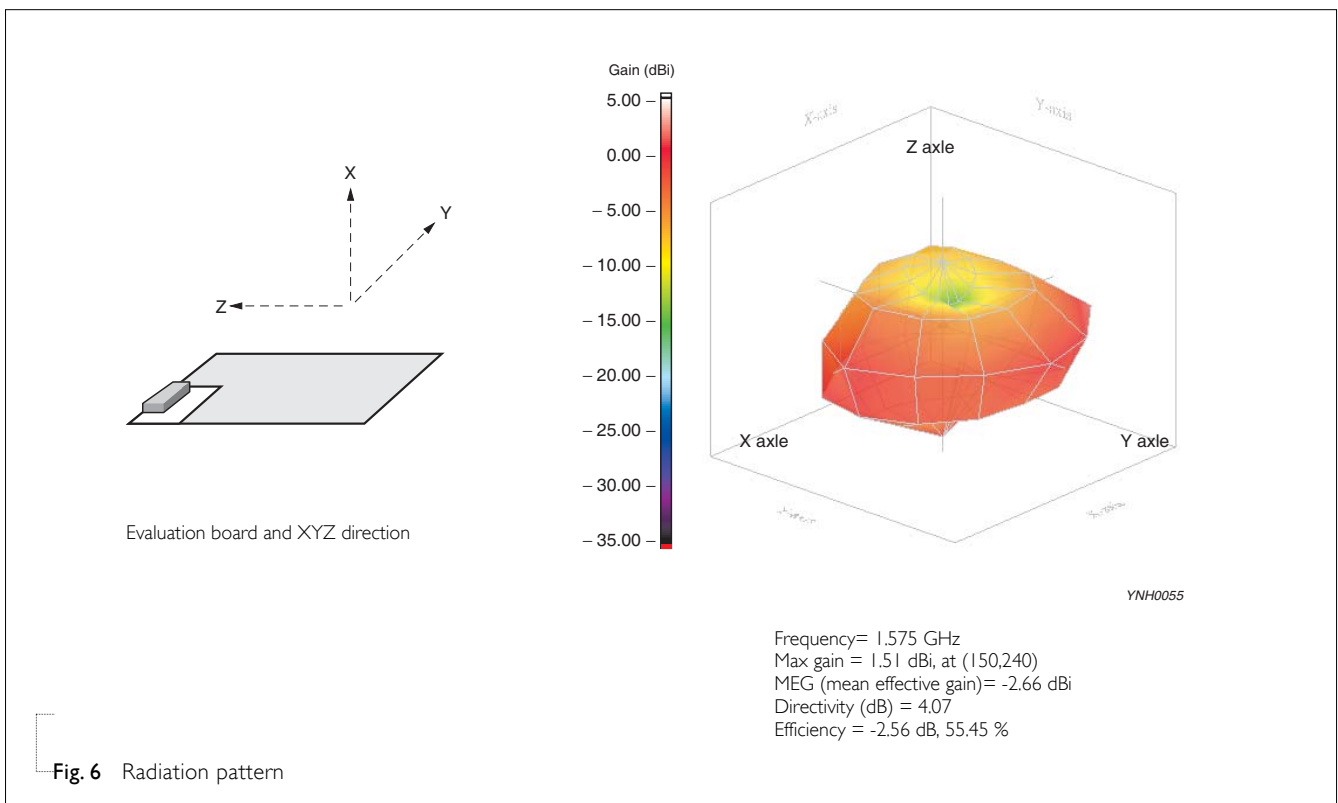


Fig. 6 Radiation pattern

REVISION HISTORY

REVISION	DATE	CHANGE NOTIFICATION	DESCRIPTION
Version 0	Feb. 05, 2013	-	- New datasheet for SMD type antenna, 1.575 GHz application, 6230 series

单击下面可查看定价，库存，交付和生命周期等信息

[>>Pulse\(普思\)](#)