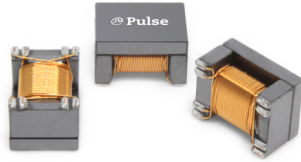


PulseChip™ Transformers for LAN Inter-

(1Gigabit, 2.5Gigabit, 5Gigabit, 10Gigabit)



- Ⓢ Meets IEEE802.3 specification with 1000BASE-T, 2.5GBASE-T, 5GBASE-T, and 10GBASE-T (Non-PoE and PoE+)
- Ⓢ Compatible with all Major PHYs
- Ⓢ Compliance to the REACH and RoHS directive
- Ⓢ Ideal for Networking and Interconnect devices, Servers, Switches, Router, Access Point, and Digital Video and Cameras

Electrical Specifications 25°C - Operating Temperature -40°C to 85°C

Part Number	Data Rate	Power over Ethernet (PoE)	Inductance (MIN)	Insertion Loss (MAX)			Return Loss (MIN)			DC Resistance (MAX)	Mechanical Specifications (mm)
		DC Current (@85°C)		1MHz-60MHz	100MHz	1MHz-60MHz	100MHz				
TC1000	1Gigabit	Non-PoE	200uH with 8mA DC BIAS, 100KHz	-1.0dB	-1.5dB	-20.0dB	-16.0dB	2.50 Ω	4.7±0.15 X 3.40±0.15 X 3.0 MAX		
TC1000P		600mA	180uH with 9mA DC BIAS, 100KHz	-1.0dB	-1.2dB	-20.0dB	-14.0dB	1.10 Ω			

Part Number	Data Rate	Power over Ethernet (PoE)	Inductance (MIN)	Insertion Loss (MAX)			Return Loss (MIN)			DC Resistance (MAX)	Mechanical Specifications (mm)
		DC Current (@85°C)		1MHz-50MHz	100MHz	125MHz	1MHz-40MHz	125MHz	125MHz		
TC2500	2.5Gigabit	Non-PoE	180uH with 8mA DC BIAS, 100KHz	-0.8dB	-1.0dB	-1.2dB	-20.0dB	-18.0dB	-16.0dB	1.10 Ω	4.7±0.15 X 3.40±0.15 X 3.0 MAX
TC2500P		600mA	180uH with 9mA DC BIAS, 100KHz	-0.8dB	-1.0dB	-1.2dB	-20.0dB	-18.0dB	-16.0dB	1.10 Ω	

Part Number	Data Rate	Power over Ethernet (PoE)	Inductance (MIN)	Insertion Loss (MAX)					Return Loss (MIN)				DC Resistance (MAX)	Mechanical Specifications (mm)	
		DC Current (@85°C)		1MHz-50MHz	100MHz	125MHz	200MHz	250MHz	1MHz-50MHz	100MHz	125MHz	200MHz			250MHz
TC5000	5Gigabit	Non-PoE	180uH with 8mA DC BIAS, 100KHz	-0.8dB	-1.0dB	-1.15dB	-1.4dB	-2.0dB	-20.0dB	-17.6dB	-17.0dB	-14.0dB	-12.0dB	1.10 Ω	4.7±0.15 X 3.40±0.15 X 3.0 MAX
TC5000P		600mA	180uH with 9mA DC BIAS, 100KHz	-0.8dB	-1.0dB	-1.15dB	-1.4dB	-2.0dB	-20.0dB	-17.6dB	-17.0dB	-14.0dB	-12.0dB	1.10 Ω	

Part Number	Data Rate	Power over Ethernet (PoE)	Inductance (MIN)	Insertion Loss (MAX)			Return Loss (MIN)		DC Resistance (MAX)	Mechanical Specifications (mm)
		DC Current (@85°C)		1MHz-50MHz	50MHz-100MHz	100MHz-400MHz	1MHz-100MHz	100MHz-400MHz		
TC10000	10Gigabit	Non-PoE	120uH with 8mA DC BIAS, 100KHz	-0.8dB	-1.0dB	-1.6dB	-20.0dB	-20+13.2*LOG(f/100) dB BIAS	1.60 Ω	4.7±0.15 X 3.40±0.15 X 3.04 MAX
TC10000P		600mA	120uH with 9mA DC BIAS, 100KHz	-0.8dB	-1.0dB	-1.6dB	-20.0dB	-20+13.2*LOG(f/100) dB BIAS	1.60 Ω	

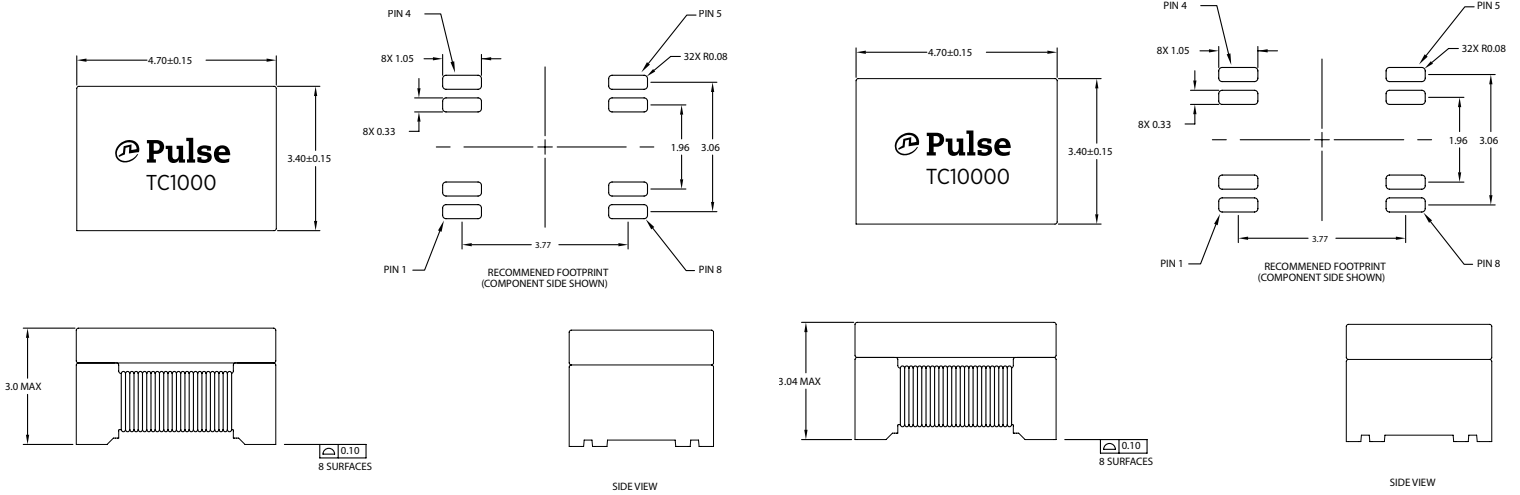
Notes:

1. Operating Temperature Range: -40°C TO +85°C (Including component self-temperature rise per MIL-PRF-27G)
2. Storage Temperature Range: -40°C TO +125°C
3. Moisture Sensitivity Level (MSL) per J-STD-020: 1
4. Solderability at 245°C Reflow Profile per J-STD-002
5. Finish Plating: Matte finish 100% Tin solder (SN100)
6. Parts are packed in Tape and Reel per 2,000pcs/reel
7. Turns Ratio: 1:1:1 ± 2%
8. Input-Output Isolation (Pri:Sec): 1500VAC For 60 Seconds

Mechanical

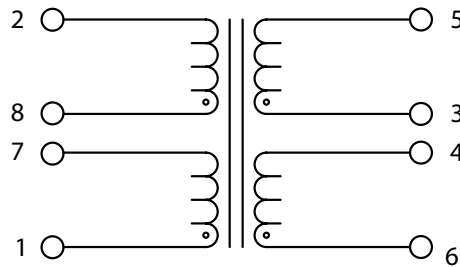
TC1000, TC1000P, TC2500, T2500P, TC5000, TC5000P0

TC10000 and TC10000P



Dimensions: MILLIMETERS
Unless otherwise specified, all tolerances are ± 0.25

Schematic

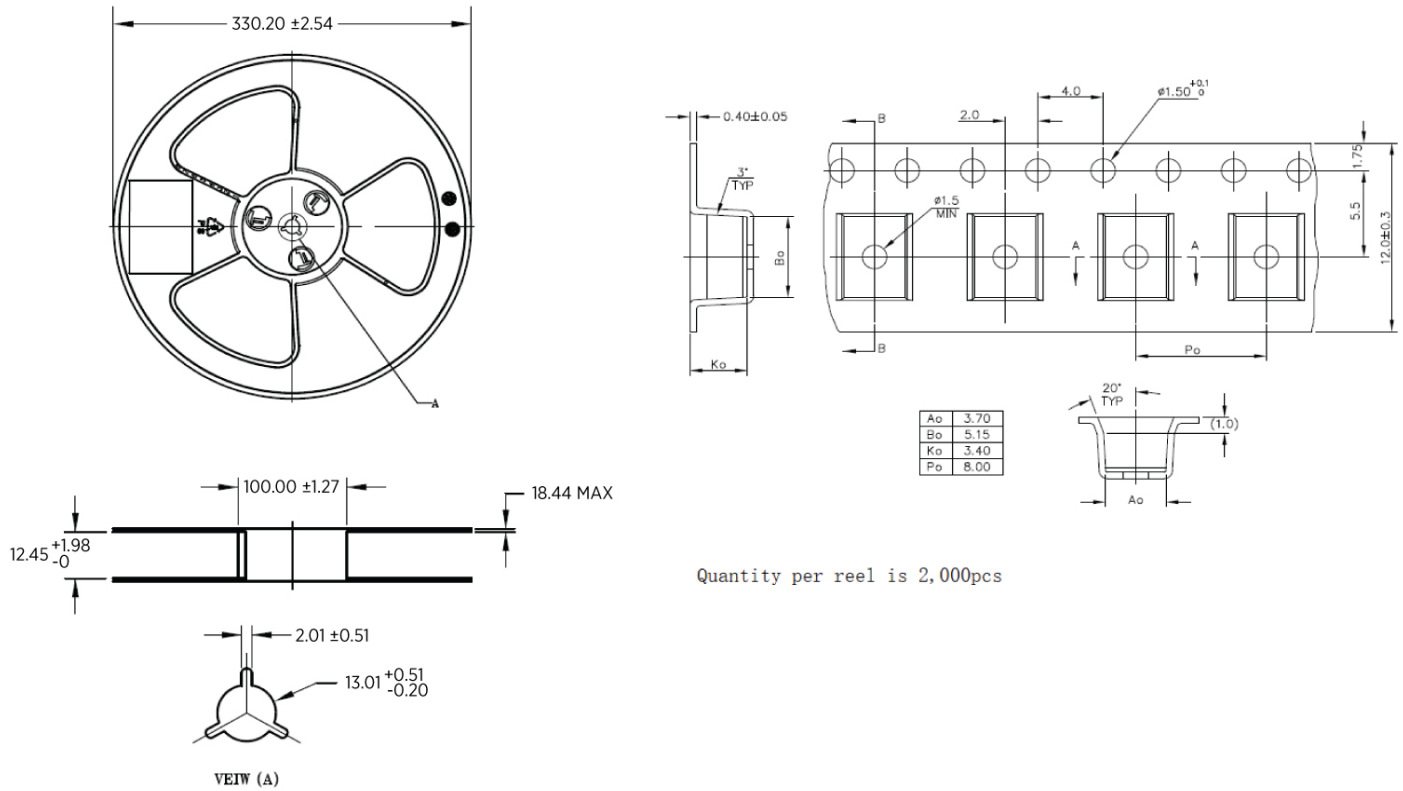


PulseChip™ Transformers for LAN Inter-

(1Gigabit, 2.5Gigabit, 5Gigabit, 10Gigabit)

Tape & Reel

TCXXXXX



For More Information:

Americas - prodinfonetworkamericas@pulseelectronics.com | Europe - comms-apps-europe@pulseelectronics.com | Asia - prodinfonetworkapac@pulseelectronics.com

Performance warranty of products offered on this data sheet is limited to the parameters specified. Data is subject to change without notice. Other brand and product names mentioned herein may be trademarks or registered trademarks of their respective owners. © Copyright, 2021. Pulse Electronics, Inc. All rights reserved.

单击下面可查看定价，库存，交付和生命周期等信息

[>>Pulse\(普思\)](#)