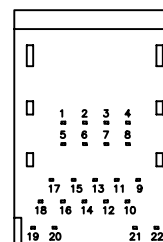
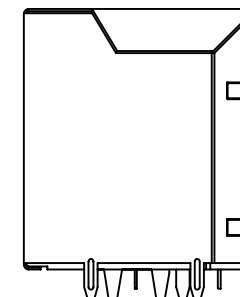
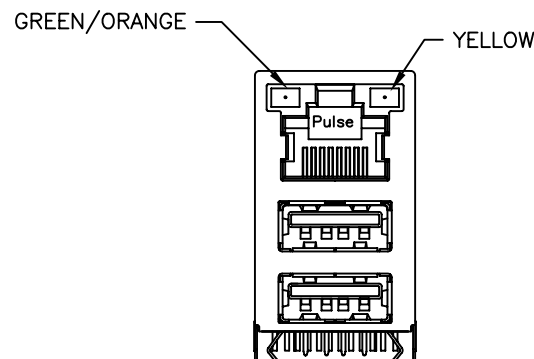
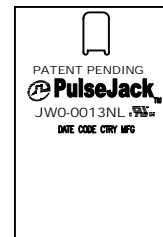


NOTES:

1. ROHS COMPLIANT
2. PLASTIC HOUSING: THERMOPLASTIC MATERIAL WITH FLAMMABILITY RATING UL 94V-0 OR BETTER.
3. CONTACTS PLATING:
FCC CONTACTS PLATING: 15 MICROINCHES GOLD PLATING.
USB CONTACTS PLATING: 30 MICROINCHES GOLD PLATING.
4. CONTACTS BASE MATERIAL: PHOSPHOR BRONZE
5. UNDER PLATING: 50u INCHES NICKEL
6. SOLDER TAIL PLATING : 150 uINCHES 100% TIN, MATTE FINISH.
7. METAL SHIELD: NICKEL PLATING ON COPPER ALLOY.
8. JACK CAVITY CONFORMS TO FCC PART 68 SUBPART.
9. PCB PLATING: HASL
10. STORAGE TEMPERATURE: -20°C TO +125°C
11. COMPLIANCE TO J-STD:
 - A. J-STD-002: SOLDERABILITY AT 245°C DIP AND LOOK TEST
 - B. J-STD-020: LEVEL 1, NO MOISTURE SENSITIVE
 - C. J-STD-075: W2, 270°C MAXIMUM THROUGH WAVE SOLDER



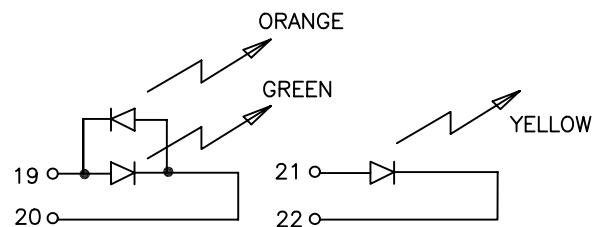
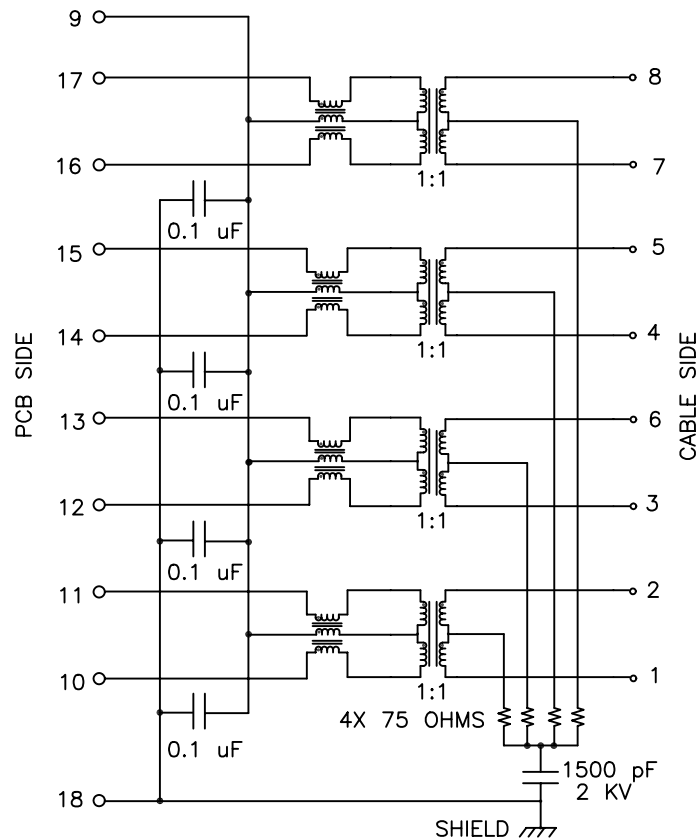
BOTTOM VIEW

FINAL OUTLINE

© Copyright, 2014. Pulse Electronics Corp. All rights reserved. Pulse confidential & proprietary. (05/13/14)

| PRODUCT DESCRIPTION | TLA DRAWING | PS DRAWING | SHEET | PART NO. | DATASHEET REV. |
|------------------------------|---------------|---------------|--------|------------|----------------|
| CONN,RJ45/USB,USB,1GD,1:1,TY | JWO-0013NL-11 | PS-2093.004-B | 1 OF 4 | JWO-0013NL | A |

ELECTRICAL CHARACTERISTICS AT +25°C UNLESS OTHER SPECIFIED
MEETS IEEE 802.3 SPECIFICATION



SCHMATIC

| PARAMETER | SPECIFICATIONS | |
|--------------------------------------------|-------------------------------------------------------------------|--------------------------------------------|
| OPERATING TEMP | 0°C - 70°C | |
| TURNS RATIO | 1 : 1 ±2% | |
| POLARITY | PER SCHEMATIC | |
| INSERTION LOSS | 100 KHz | 1-125 MHz |
| | -1.2 dB MAX | -0.2-0.002*f ^{1.4} dB MAX |
| RETURN LOSS (Z OUT = 100 OHM ±15%) | .1-40 MHz | 40-100 MHz |
| | -16 dB MIN | -10+20*LOG ₁₀ (f/80 MHz) dB MIN |
| INDUCTANCE (OCL) (MEDIA SIDE, 0°C-70°C) | 350 uH MIN (MEASURED AT 100 KHz, 100 mVRMS AND WITH 8 mA DC BIAS) | |
| CROSSTALK, ADJACENT CHANNELS | 1 MHz | 10-100 MHz |
| | -50 dB MIN | -55+22*LOG ₁₀ (f/10) dB MIN |
| COMMON MODE REJECTION RATIO | 2 MHz | 30-200 MHz |
| | -50 dB MIN | -15+20*LOG ₁₀ (f/200) dB MIN |
| DC RESISTANCE, 1/2 WINDING | .65 OHMS MAX | |
| DC RESISTANCE IMBALANCE | ±.065 OHMS MAX (CENTER TAP SYMMETRY) | |
| INPUT - OUTPUT ISOLATION | 1500 VRMS MIN AT 60 SECONDS | |

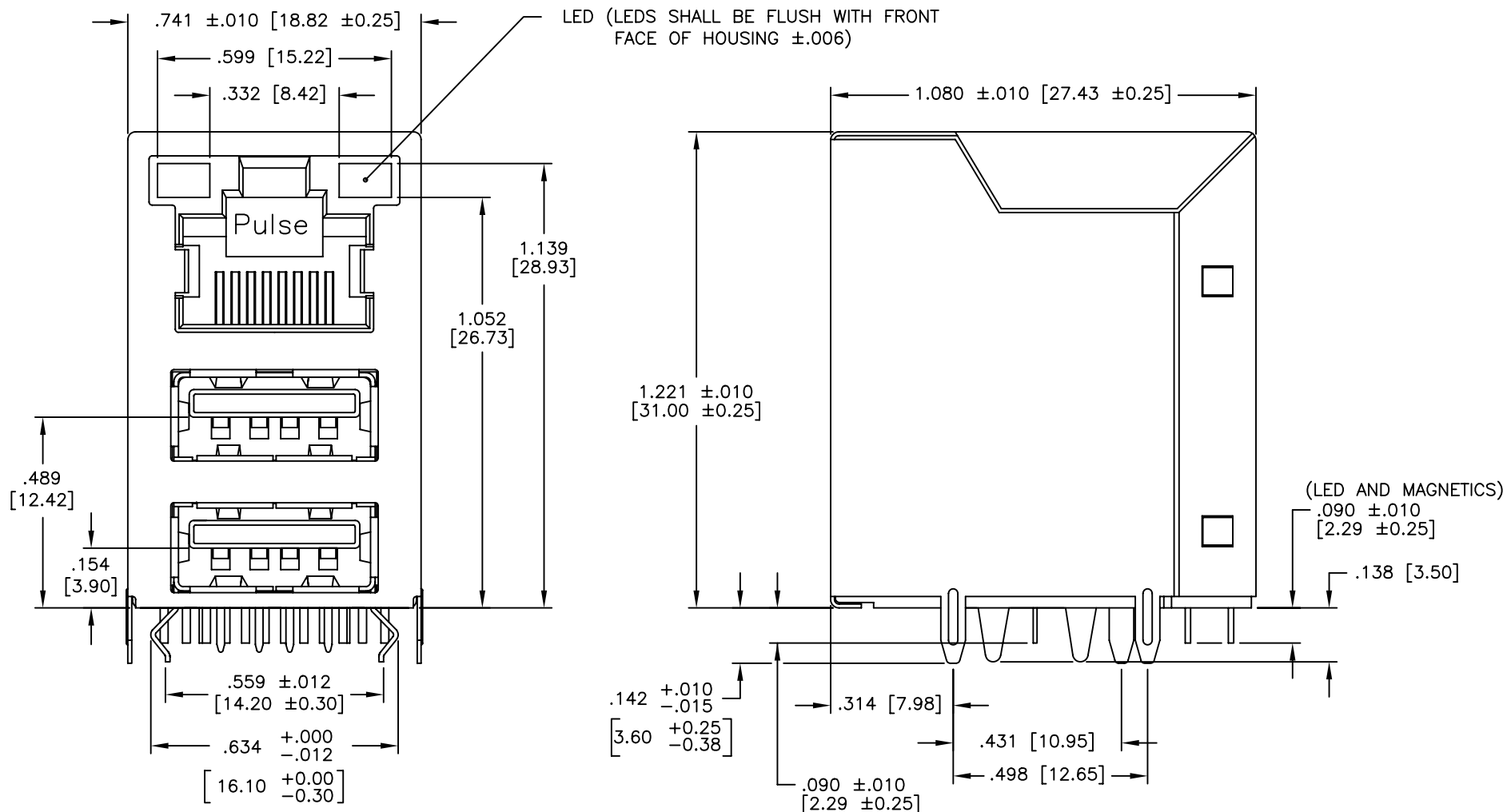
NOTE: f IS FREQUENCY IN MHZ.

| EMMITTED COLOR | GREEN | ORANGE | YELLOW |
|------------------------|----------------------|--------------------|---------------------|
| WAVELENGTH (nm) | 568 nm | 610 nm | 585 nm |
| BRIGHTNESS (mCD) | 8.5 TYP. AT 20 mA | 6 TYP. AT 20 mA | 10 TYP. AT 20 mA |
| VIEWING ANGLE | 100° | 100° | 100° |
| POWER DISSIPATION (Pd) | 100 mW MAX | 80 mW MAX | 68 mW MAX |
| DC FORWARD CURRENT | 150 mA MAX | 150 mA MAX | 150 mA MAX |
| REVERSE VOLTAGE (Vr) | 5.0 V MAX | 5.0 V MAX | 5.0 V MAX |
| FORWARD VOLTAGE (Vf) | 2.2 TO 2.6 VOLTS | 2.2 TO 2.6 VOLTS | 2.1 TO 2.7 VOLTS |

BI-COLOR

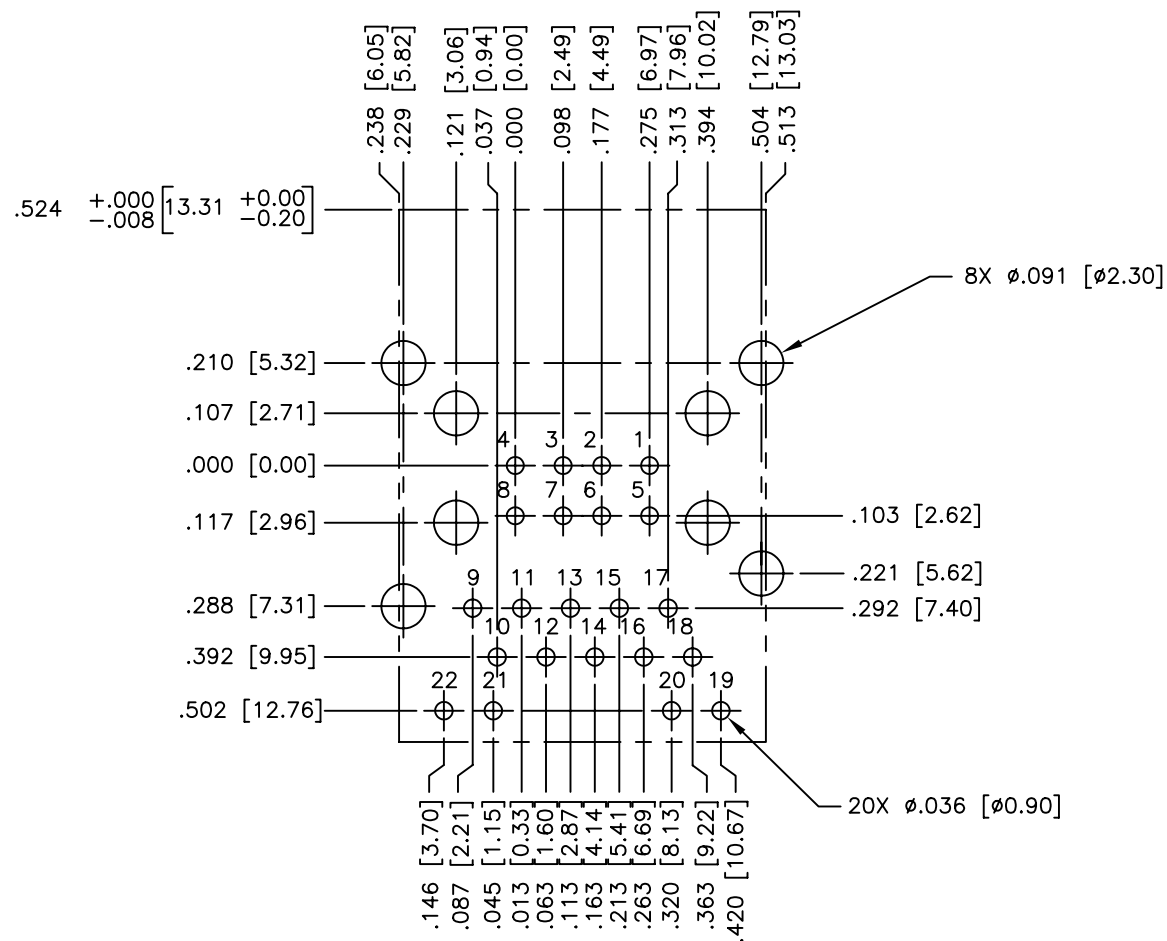
© Copyright, 2014. Pulse Electronics Corp. All rights reserved. Pulse confidential & proprietary. (05/13/14)

| PRODUCT DESCRIPTION | TLA DRAWING | PS DRAWING | SHEET | PART NO. | DATASHEET REV. |
|------------------------------|---------------|---------------|--------|------------|----------------|
| CONN,RJ45/USB,USB,1GD,1:1,TY | JWO-0013NL-11 | PS-2093.004-B | 2 OF 4 | JWO-0013NL | A |



© Copyright, 2014. Pulse Electronics Corp. All rights reserved. Pulse confidential & proprietary. (05/13/14)

| PRODUCT DESCRIPTION | TLA DRAWING | PS DRAWING | SHEET | PART NO. | DATASHEET REV. |
|------------------------------|---------------|---------------|--------|------------|----------------|
| CONN,RJ45/USB,USB,1GD,1:1,TY | JWO-0013NL-11 | PS-2093.004-B | 3 OF 4 | JWO-0013NL | A |



SUGGESTED FOOTPRINT (SHOWN FROM COMPONENT SIDE)

DIMENSIONS ARE IN INCHES [MILLIMETERS] WITH THE FOLLOWING
TOLERANCES: [MILLIMETERS] ARE FOR REFERENCE ONLY.
.XX = $\pm .003$ [± 0.08]

© Copyright, 2014. Pulse Electronics Corp. All rights reserved. Pulse confidential & proprietary. (05/13/14)

| PRODUCT DESCRIPTION | TLA DRAWING | PS DRAWING | SHEET | PART NO. | DATASHEET REV. |
|------------------------------|---------------|---------------|--------|------------|----------------|
| CONN,RJ45/USB,USB,1GD,1:1,TY | JW0-0013NL-11 | PS-2093.004-B | 4 OF 4 | JW0-0013NL | A |

单击下面可查看定价，库存，交付和生命周期等信息

[>>Pulse\(普思\)](#)