

PRODUCT DATASHEET

PART NUMBER: CX2232NL

- 1:1 RF Transformer
- 800-1900 MHz
- Suitable for MoCA Applications
- Surface Mount, FR4 Substrate
- RoHS Compliant

Electrical Specifications @ 25°C (Operating Temperature -40°C to +85°C)

INSERTION LOSS :

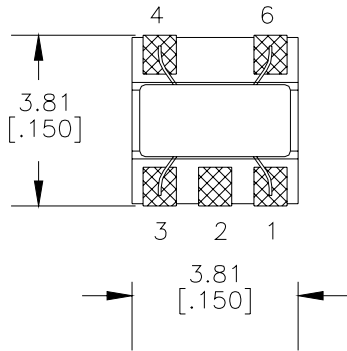
800-1900 MHz	900-1400 MHz						
3.0 dB Max	1.0 dB Max						

Note: Insertion Loss is referenced to Mid-Band Loss

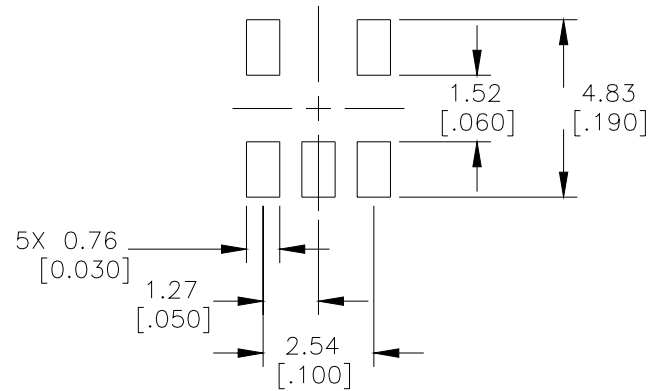
RETURN LOSS :

800 MHz	1200 MHz	1600 MHz	1900 MHz				
18.0 dB Min	15.0 dB Min	14.0 dB Min	13.0 dB Min				

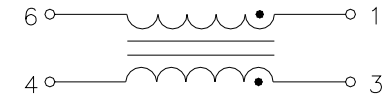
Mechanical Specifications



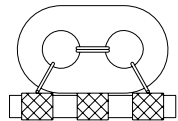
TOP VIEW



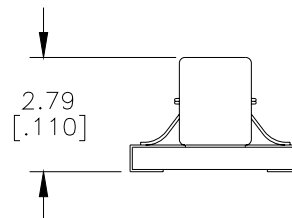
SUGGESTED LAND PATTERN
TOP VIEW



SCHEMATIC



SIDE VIEW



FRONT VIEW

DIMENSIONS	MM	[INCH]
TOLERANCES	.XX +/- .25	.XX +/- .01
	.XXX +/- .12	.XXX +/- .005

单击下面可查看定价，库存，交付和生命周期等信息

[>>Pulse\(普思\)](#)