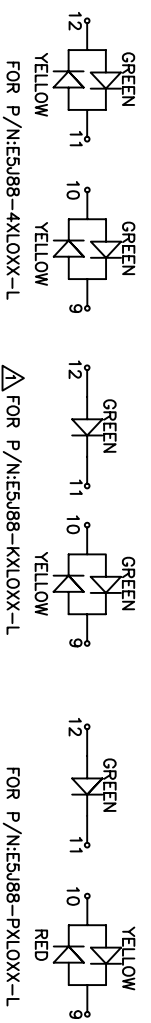
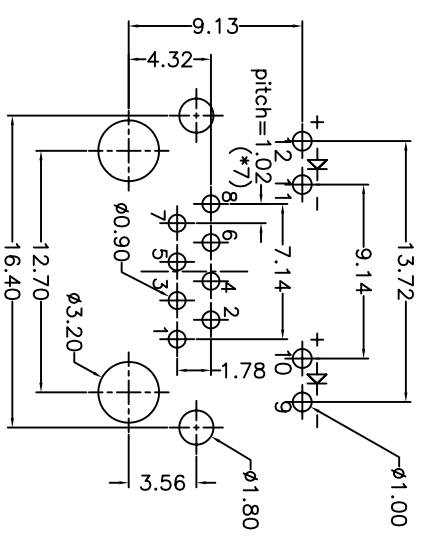
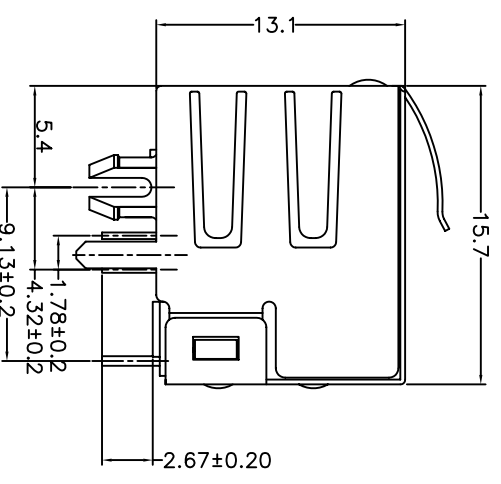
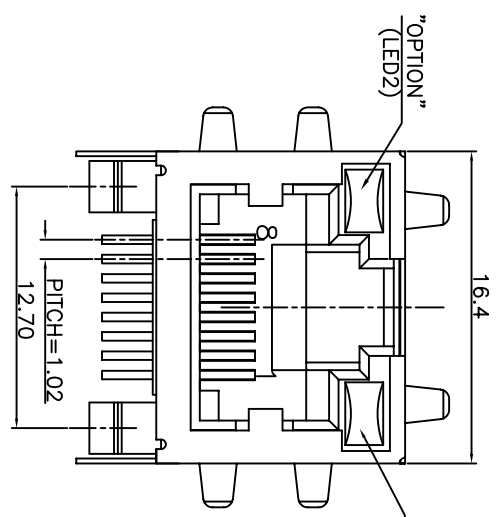


REVISION RECORD				
REV	ECO	DESCRIPTION	DRFT	CHKD
1		Modify Drawing	6/25/06	



PC Board (t=1.60mm) Layout
Component Side Shown

NOTES:

ELECTRICAL:

- VOLTAGE RATING : 125 VAC RMS.
- CURRENT RATING : 1.5 AMP.
- CONTACT RESISTANCE : 30 MILLIOHMS MAX.
- INSULATION RESISTANCE: 1000 MEGOHMS MIN @ 500 VDC.
- DIELECTRIC STRENGTH : 1000 VAC RMS 60Hz, 1MIN.
- LED RATINGS: FORWARD VOLTAGE: 2.2 VOLTS TYPICAL.
REVERSE VOLTAGE: 5 VOLTS MAXIMUM.
- OPERATING: 750 CYCLES MIN.

- PART NUMBER: E 5J 8 8 - X X L J X X-L
- 1-LED1:GREEN ,LED2:YELLOW
 - 2-LED1:GREEN ,LED2:GREEN
 - 3-LED1:YELLOW ,LED2:GREEN
 - 4-LED1:G+Y ,LED2:G+Y
 - 5-LED1:RED ,LED2:GREEN
 - 7-LED1:YELLOW ,LED2:YELLOW
 - K-LED1:G+Y ,LED2:GREEN
 - P-LED1:Y+R ,LED2:GREEN

- C-"LED TYPE" TIN LEAD SHIELD STAMPED PIN.
- D-"LED TYPE" NI LEAD SHIELD STAMPED PIN.
- J-"LED TYPE" NI LEAD SHIELD ROUND PIN.
- K-"LED TYPE" TIN LEAD SHIELD ROUND PIN.

MECHANICAL:

- HOUSING MATERIAL : FR52 UL94V-0. COLOR-BLACK.
- INSERT MATERIAL : FR52 UL94V-0. COLOR-BLACK.
- BACK PLATE MATERIAL : FR52. COLOR-BLACK.
- LED SIZE : 3.2*2.0*4.0*P=2.54mm. Δ
- SHIELD MATERIAL : COPPER ALLOY 0.25mm THICKNESS PLATING NI.
- CONTACT MATERIAL : PHOSPHOR BRONZE 0.35mm THICKNESS OR ϕ 0.46mm.
- PLATING : GOLD PLATING OVER NICKEL.
- PCB RETENTION PRE-SOLDER : 1 LB MIN.
- PCB RETENTION POST-SOLDER: 10 LBS MIN.

ENVIRONMENTAL:

- STORAGE : -40°C TO +85°C.
 - OPERATION : -40°C TO +85°C. Δ
 - WAVE SOLDERING TEMPERATURE: 255~265°C (5~10 SECONDS) Δ
- MATES WITH MODULAR PLUG CONFORMING TO FCC PART 68, SUBPART F.
CUL FILE NO. E163191

DETACHED 5/15		TOLERANCES EXCEPT AS NOTED		DATE 05/05/04	
MM	(INCH)	MM	(INCH)	DATE 2009/6/3	
0.50±0.20	±	0.50±0.20	±	DATE 2009/6/3	
0.00±0.015	±	0.00±0.015	±	DATE 2009/6/3	
APPROVALS:		DATE 2009/6/3		DATE 2009/6/3	
MATERIAL :		DATE 2009/6/3		DATE 2009/6/3	
QTY :		DATE 2009/6/3		DATE 2009/6/3	
FINISH :		DATE 2009/6/3		DATE 2009/6/3	
SCALE : 25:1		DATE 2009/6/3		DATE 2009/6/3	
THIRD ANGLE PROJECTION		DATE 2009/6/3		DATE 2009/6/3	
DO NOT SCALE DRAWING		DATE 2009/6/3		DATE 2009/6/3	
SHEET X OF Y		DATE 2009/6/3		DATE 2009/6/3	

FULL RISE ELECTRONIC CO., LTD
TITLE RJ45 SIDE ENTRY LED JACK

DRAWING NO. GESJ3139
/PART NO. SEE NOTE
SIZE REV
A3 1
6/25/06

单击下面可查看定价，库存，交付和生命周期等信息

[>>Pulse\(普思\)](#)