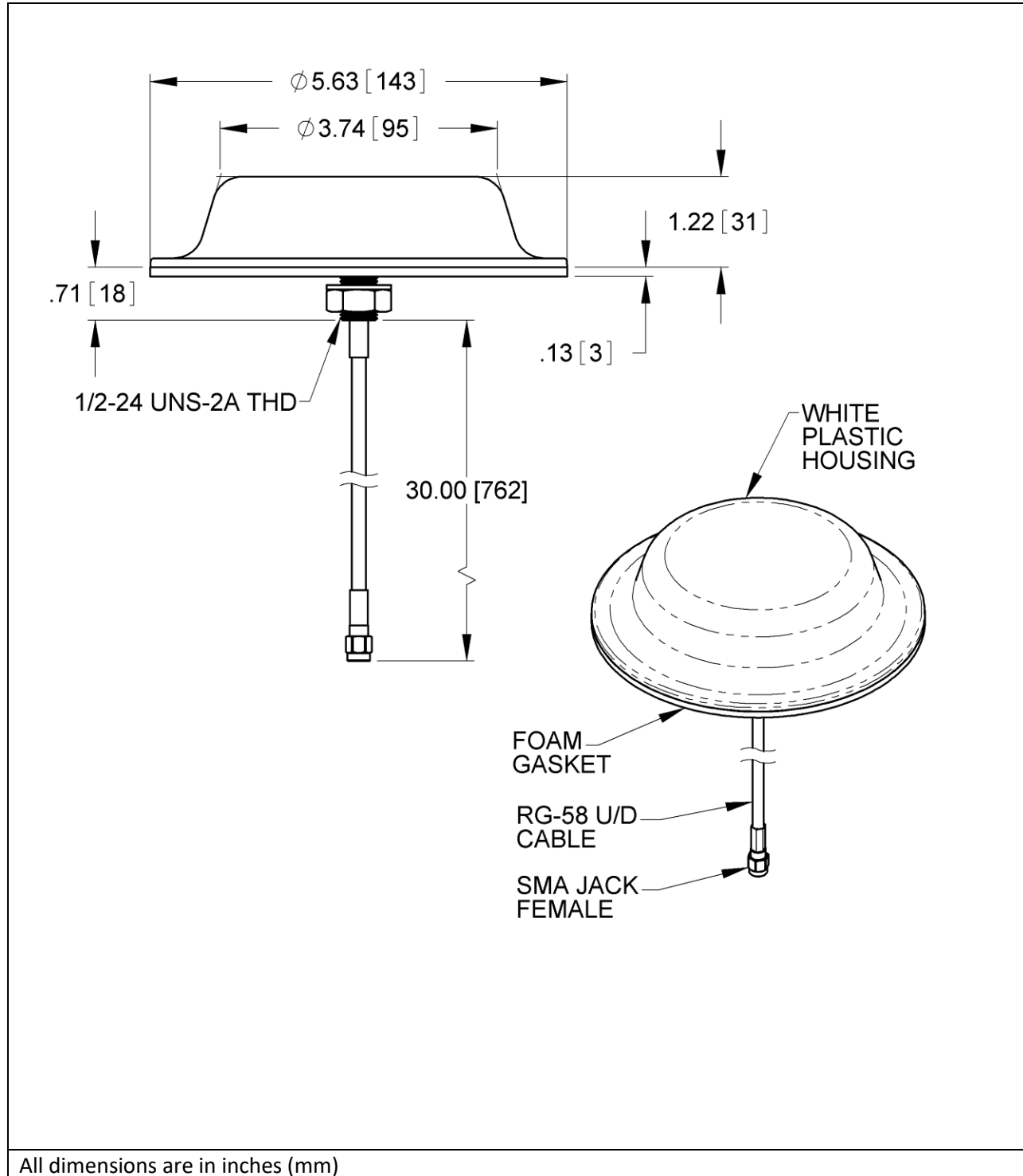


LOW PROFILE

806-960 MHz

LP800WSMAF

Series : ANTENNA



All dimensions are in inches (mm)

Issue: 1118

In the effort to improve our products, we reserve the right to make changes judged to be necessary.

CONFIDENTIAL AND PROPRIETARY INFORMATION

This document contains confidential and proprietary information of Pulse Electronics, Inc. (Pulse) and is protected by copyright, trade secret and other state and federal laws. Its receipt or possession does not convey any rights to reproduce, disclose its contents, or to manufacture, use or sell anything it may describe. Reproduction, disclosure or use without specific written authorization of Pulse is strictly forbidden.



LOW PROFILE
806-960 MHz

LP800WSMAF
Series : **ANTENNA**

ELECTRICAL SPECIFICATIONS

Frequency	806-960	MHz
Nominal Impedance	50	Ω
VSWR	2.1:1	
Gain (Overall gain)	UNITY/2.14	dBi
Bandwidth @ 1.5	90	MHz
Bandwidth @ 2.0	160	MHz
Connector type:	SMA JACK (FEMALE)	
Cable type:	2.5 ft RG-58 UD	
Length:	30	INCHES
Powerwithstanding	100	Watts

MECHANICAL SPECIFICATIONS

Plastic radome:	MACKROBLEND(PC/ABS)	
Color:	WHITE	
Overall length:	5.63 X 1.22	INCHES
Fixing system:	DIRECT MOUNT, ½ HOLE	

ENVIRONMENTAL SPECIFICATIONS

Operating temperature	-40/+85	° C
-----------------------	---------	-----

Issue: 1118

In the effort to improve our products, we reserve the right to make changes judged to be necessary.

CONFIDENTIAL AND PROPRIETARY INFORMATION

This document contains confidential and proprietary information of Pulse Electronics, Inc. (Pulse) and is protected by copyright, trade secret and other state and federal laws. Its receipt or possession does not convey any rights to reproduce, disclose its contents, or to manufacture, use or sell anything it may describe. Reproduction, disclosure or use without specific written authorization of Pulse is strictly forbidden



单击下面可查看定价，库存，交付和生命周期等信息

[>>Pulse\(普思\)](#)