

**Description: 35354 GNSS Patch Antenna**

**PART NUMBER: ANT3535B001TGNSSA**



**Features:**

- Size : 35x35x4mm
- High radiation efficiency
- GNSS band
- Pin-solder process
- RoHS compliant

**Applications:**

- GPS system
- Navigation device
- Telematics box
- Fleet management

All dimensions are in mm / inches

In the effort to improve our products, we reserve the right to make changes judged to be necessary.

CONFIDENTIAL AND PROPRIETARY INFORMATION

This document contains confidential and proprietary information of Pulse Electronics, Inc. (Pulse) and is protected by copyright, trade secret and other state and federal laws. Its receipt or possession does not convey any rights to reproduce, disclose its contents, or to manufacture, use or sell anything it may describe. Reproduction, disclosure or use without specific written authorization of Pulse is strictly forbidden.

For more information:



Pulse Worldwide Headquarters  
15255 Innovation Drive #100  
San Diego, CA 92128  
USA  
Tel:1-858-674-8100

Pulse/Larsen Antennas  
18110 SE 34<sup>th</sup> St Bldg 2 Suite 250  
Vancouver, WA 98683  
USA  
Tel: 1-360-944-7551

Europe Headquarters  
Pulse GmbH & Do, KG  
Zeppelinstrasse 15  
Herrenberg, Germany  
Tel: 49 7032 7806 0

Pulse (Suzhou) Wireless Products Co, Inc.  
99 Huo Ju Road(#29 Bldg,4<sup>th</sup> Phase  
Suzhou New District  
Jiangsu Province, Suzhou 215009 PR China  
Tel: 86 512 6807 9998

**Description: 35354 GNSS Patch Antenna**

**PART NUMBER: ANT3535B001TGNSSA**

**ELECTRICAL SPECIFICATIONS**

**Working Frequency**

BEIDOU : 1561 MHz  
GPS : 1575 MHz  
GLONASS : 1602 MHz

**Gain(Peak)**

BEIDOU 1561MHz : 5.4 dBic  
GPS 1575MHz : 5.5 dBic  
GLONASS 1602MHz : 5.5 dBic

**Gain(Average)**

BEIDOU 1561MHz : -0.68 dB  
GPS 1575MHz : -0.51 dB  
GLONASS 1602MHz : -0.60 dB

**Polarization**

RHCP

**Axial Ratio**

$\leq 13$  dB

**Impedance**

50  $\Omega$

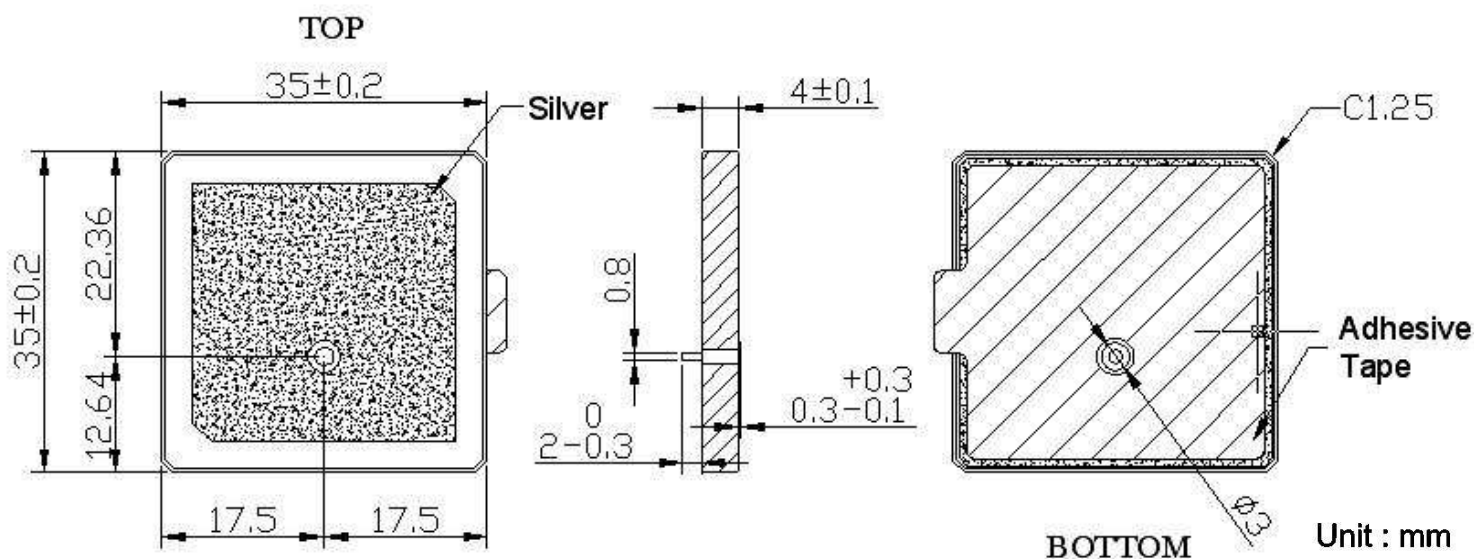
**Operating Temperature**

- 40 ~ 85 °C

**NOTE**

1. Based on 70×70 mm<sup>2</sup> square ground plane.
2. Centre frequency will be offset to working frequency while changes of customer's housing and ground plane.

**MECHANICAL DRAWING**



In the effort to improve our products, we reserve the right to make changes judged to be necessary.

CONFIDENTIAL AND PROPRIETARY INFORMATION

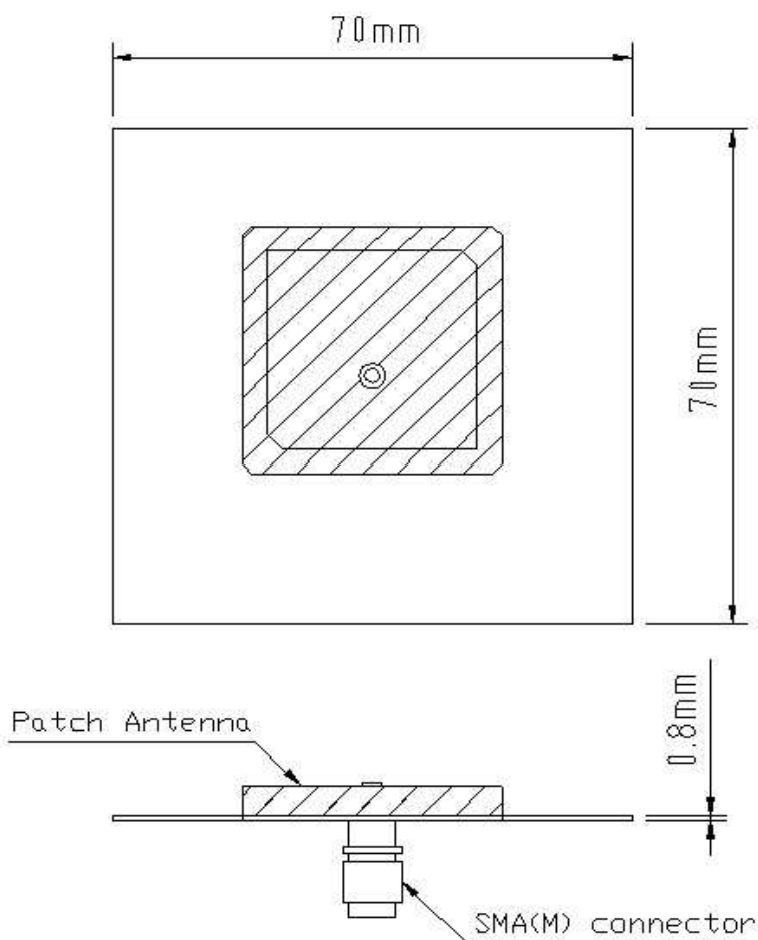
This document contains confidential and proprietary information of Pulse Electronics, Inc. (Pulse) and is protected by copyright, trade secret and other state and federal laws. Its receipt or possession does not convey any rights to reproduce, disclose its contents, or to manufacture, use or sell anything it may describe. Reproduction, disclosure or use without specific written authorization of Pulse is strictly forbidden.



**Description: 35354 GNSS Patch Antenna**

**PART NUMBER: ANT3535B001TGNSSA**

**REFERENCE DESIGN OF EVALUATION BOARD**



**Ground Plane Size: 70x70 mm<sup>2</sup>**

In the effort to improve our products, we reserve the right to make changes judged to be necessary.

CONFIDENTIAL AND PROPRIETARY INFORMATION

This document contains confidential and proprietary information of Pulse Electronics, Inc. (Pulse) and is protected by copyright, trade secret and other state and federal laws. Its receipt or possession does not convey any rights to reproduce, disclose its contents, or to manufacture, use or sell anything it may describe. Reproduction, disclosure or use without specific written authorization of Pulse is strictly forbidden.

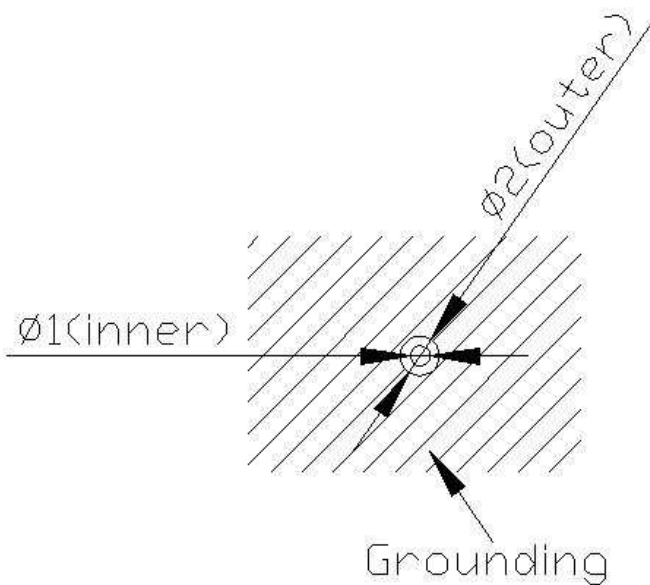


**Description: 35354 GNSS Patch Antenna**

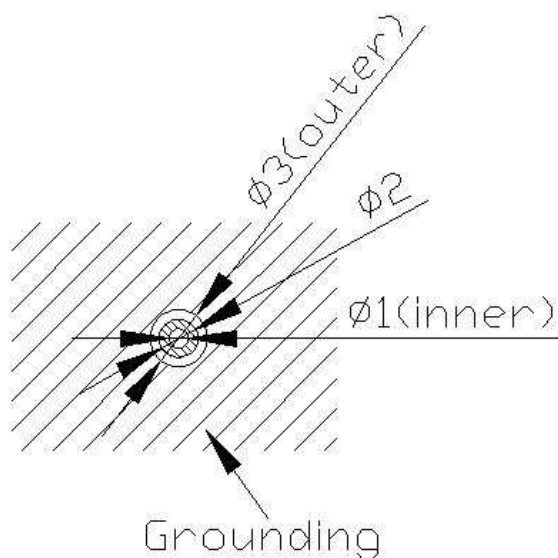
**PART NUMBER: ANT3535B001TGNSSA**

**FOOTPRINT**

**Top View**



**Bottom View**



In the effort to improve our products, we reserve the right to make changes judged to be necessary.

CONFIDENTIAL AND PROPRIETARY INFORMATION

This document contains confidential and proprietary information of Pulse Electronics, Inc. (Pulse) and is protected by copyright, trade secret and other state and federal laws. Its receipt or possession does not convey any rights to reproduce, disclose its contents, or to manufacture, use or sell anything it may describe. Reproduction, disclosure or use without specific written authorization of Pulse is strictly forbidden.

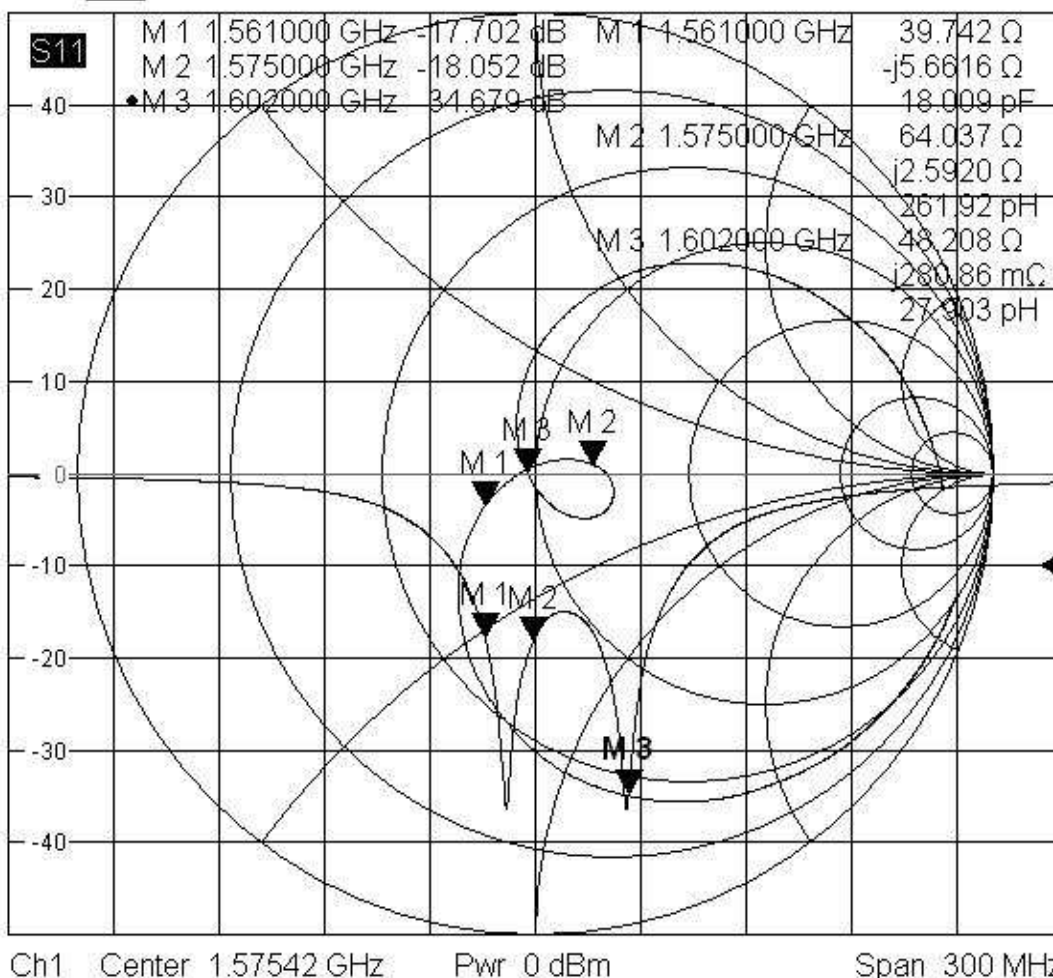


**Description: 35354 GNSS Patch Antenna**

**PART NUMBER: ANT3535B001TGNSSA**

**RETURN LOSS**

Trc1 S11 dB Mag 10 dB / Ref -10 dB Cal int 1 of 1 (Max)  
Trc2 S11 Smith Ref 1 U Cal int



In the effort to improve our products, we reserve the right to make changes judged to be necessary.

CONFIDENTIAL AND PROPRIETARY INFORMATION

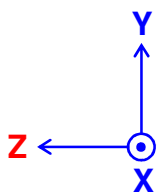
This document contains confidential and proprietary information of Pulse Electronics, Inc. (Pulse) and is protected by copyright, trade secret and other state and federal laws. Its receipt or possession does not convey any rights to reproduce, disclose its contents, or to manufacture, use or sell anything it may describe. Reproduction, disclosure or use without specific written authorization of Pulse is strictly forbidden.



**Description: 35354 GNSS Patch Antenna**

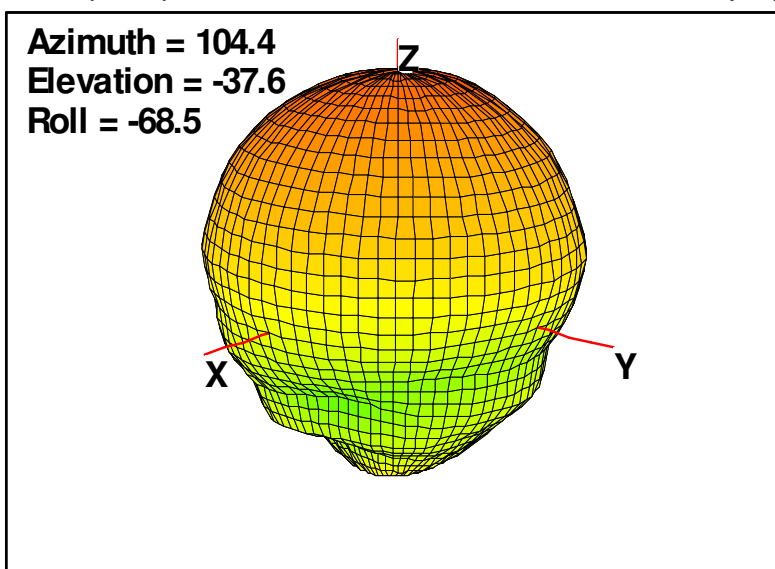
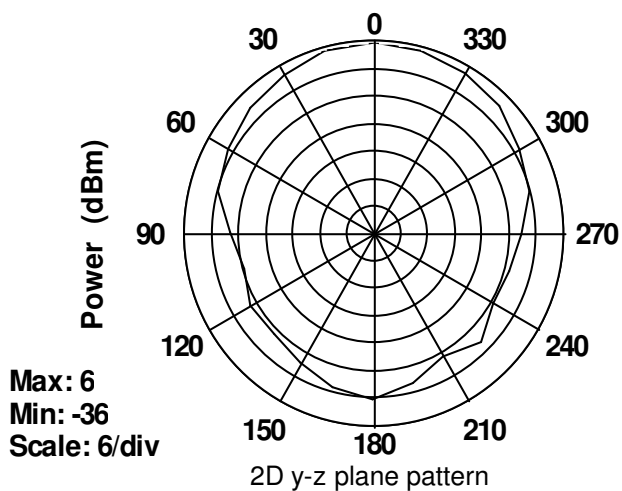
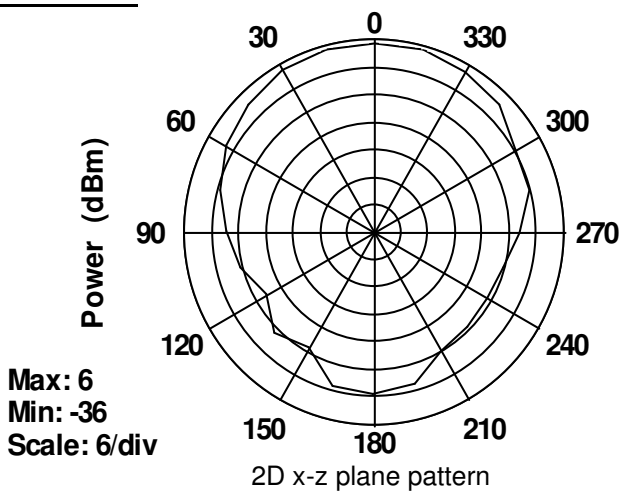
**PART NUMBER: ANT3535B001TGNSSA**

**RADIATION PATTERN**



Evaluation board and XYZ direction

**1561MHz**



3D radiation pattern

In the effort to improve our products, we reserve the right to make changes judged to be necessary.

CONFIDENTIAL AND PROPRIETARY INFORMATION

This document contains confidential and proprietary information of Pulse Electronics, Inc. (Pulse) and is protected by copyright, trade secret and other state and federal laws. Its receipt or possession does not convey any rights to reproduce, disclose its contents, or to manufacture, use or sell anything it may describe. Reproduction, disclosure or use without specific written authorization of Pulse is strictly forbidden.

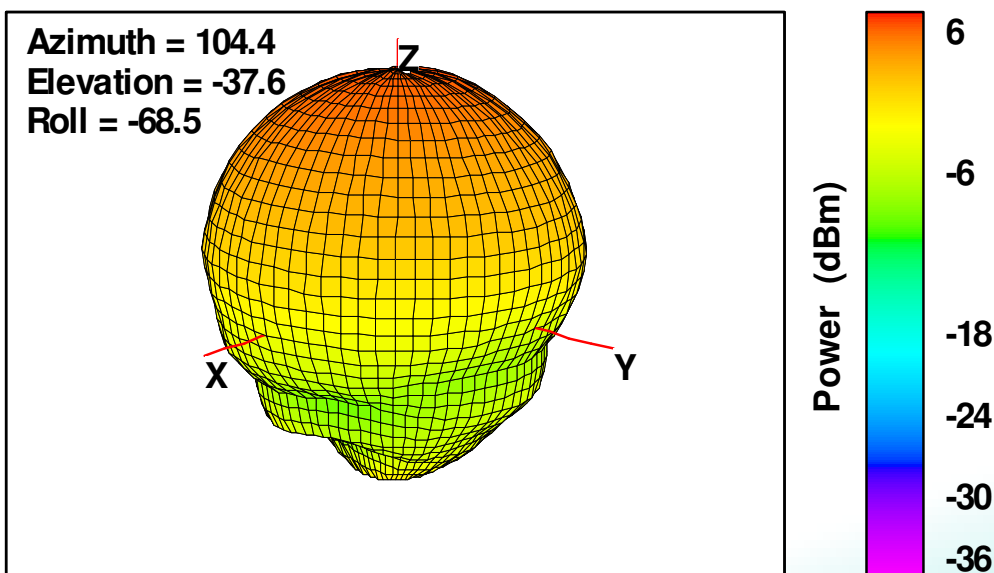
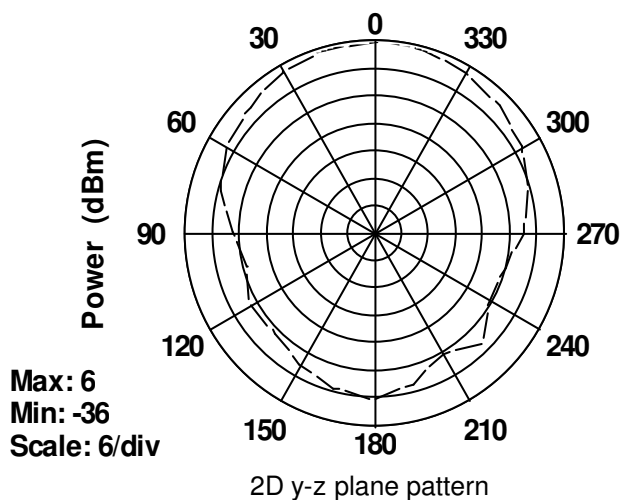
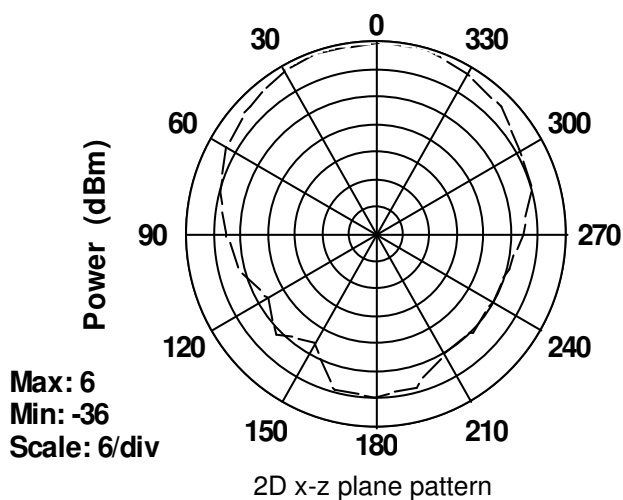


**Description: 35354 GNSS Patch Antenna**

**PART NUMBER: ANT3535B001TGNSSA**

**RADIATION PATTERN**

**1575MHz**



3D radiation pattern

In the effort to improve our products, we reserve the right to make changes judged to be necessary.

CONFIDENTIAL AND PROPRIETARY INFORMATION

This document contains confidential and proprietary information of Pulse Electronics, Inc. (Pulse) and is protected by copyright, trade secret and other state and federal laws. Its receipt or possession does not convey any rights to reproduce, disclose its contents, or to manufacture, use or sell anything it may describe. Reproduction, disclosure or use without specific written authorization of Pulse is strictly forbidden.

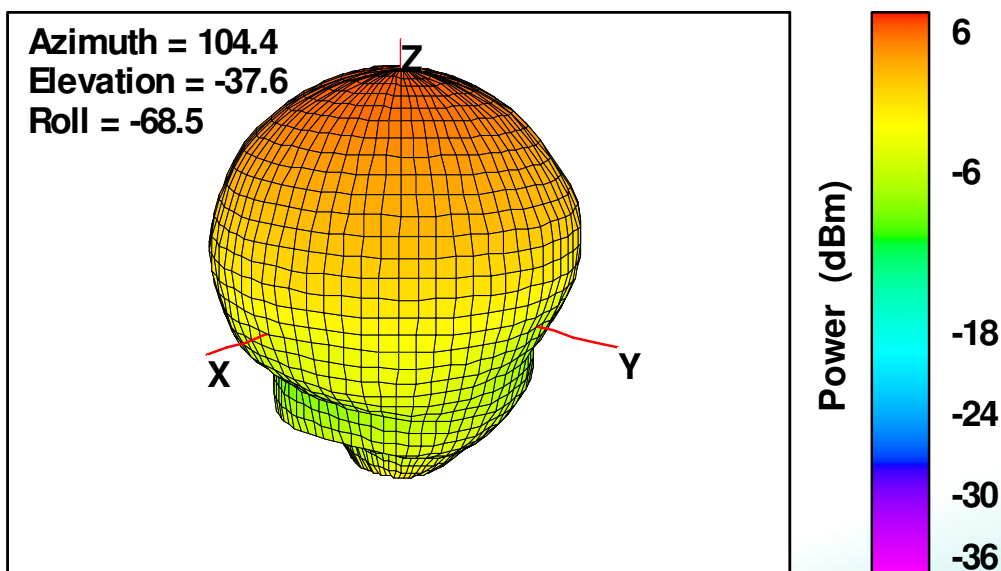
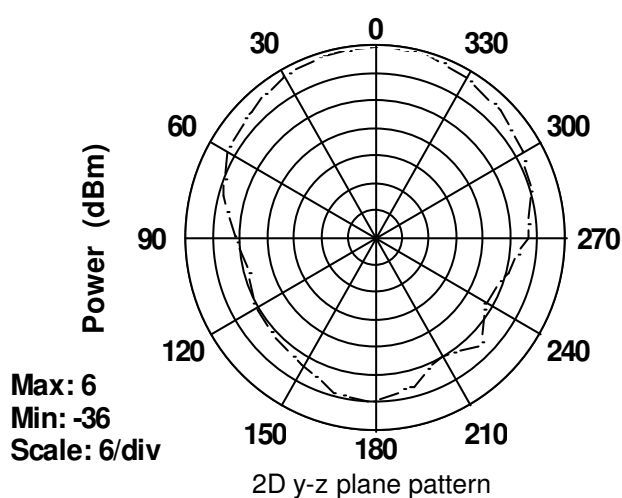
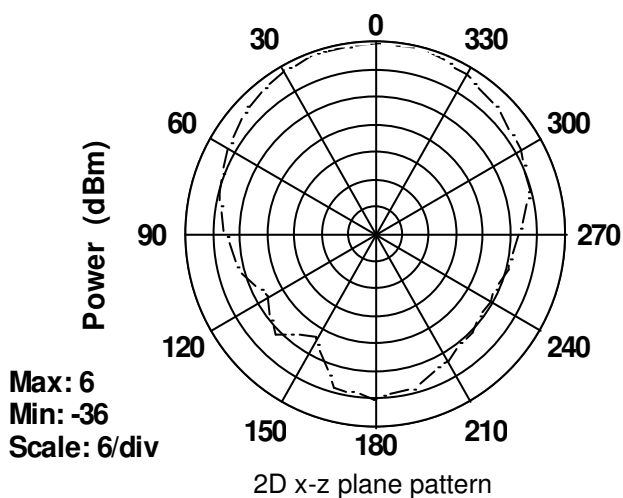


**Description: 35354 GNSS Patch Antenna**

**PART NUMBER: ANT3535B001TGNSSA**

**RADIATION PATTERN**

**1602MHz**



3D radiation pattern

In the effort to improve our products, we reserve the right to make changes judged to be necessary.

CONFIDENTIAL AND PROPRIETARY INFORMATION

This document contains confidential and proprietary information of Pulse Electronics, Inc. (Pulse) and is protected by copyright, trade secret and other state and federal laws. Its receipt or possession does not convey any rights to reproduce, disclose its contents, or to manufacture, use or sell anything it may describe. Reproduction, disclosure or use without specific written authorization of Pulse is strictly forbidden.





**Description: 35354 GNSS Patch Antenna**

**PART NUMBER: ANT3535B001TGNSSA**

### REVISION HISTORY

Revision	Date	Description
Version 1	May. 28, 2021	- New issue

In the effort to improve our products, we reserve the right to make changes judged to be necessary.

CONFIDENTIAL AND PROPRIETARY INFORMATION

This document contains confidential and proprietary information of Pulse Electronics, Inc. (Pulse) and is protected by copyright, trade secret and other state and federal laws. Its receipt or possession does not convey any rights to reproduce, disclose its contents, or to manufacture, use or sell anything it may describe. Reproduction, disclosure or use without specific written authorization of Pulse is strictly forbidden.



单击下面可查看定价，库存，交付和生命周期等信息

[>>Pulse\(普思\)](#)