

Description: GNSS IP67 Active 30dB RHCP Antenna

Series: Active GNSS

PART NUMBER: GNSSDM26B0500



Features:

- GNSS RHCP active antenna
- Beidou, GPS, Glonass
- LNA gain 30dBi
- 2pcs integrated band pass filters
- Module stage line-up:
 - Ant-Fil1-LNA-Fil2
- RoHS compliant

Applications:

- Base station timing antenna
- Navigation
- Tracking
- Location Bases Services

All dimensions are in mm / inches

Issue: 1821

In the effort to improve our products, we reserve the right to make changes judged to be necessary.

CONFIDENTIAL AND PROPRIETARY INFORMATION

This document contains confidential and proprietary information of Pulse Electronics, Inc. (Pulse) and is protected by copyright, trade secret and other state and federal laws. Its receipt or possession does not convey any rights to reproduce, disclose its contents, or to manufacture, use or sell anything it may describe. Reproduction, disclosure or use without specific written authorization of Pulse is strictly forbidden.

For more information:

Pulse Worldwide Headquarters
15255 Innovation Drive #100
San Diego, CA 92128
USA
Tel:1-858-674-8100

Pulse/Larsen Antennas
18110 SE 34th St Bldg 2 Suite 250
Vancouver, WA 98683
USA
Tel: 1-360-944-7551

Europe Headquarters
Pulse GmbH & Do, KG
Zeppelinstrasse 15
Herrenberg, Germany

Pulse (Suzhou) Wireless Products Co, Inc.
99 Huo Ju Road(#29 Bldg,4th Phase
Suzhou New District
Jiangsu Province, Suzhou 215009 PR China
Tel: 86 512 6807 9998

Description: GNSS IP67 Active 30dB RHCP Antenna

Series: Active GNSS

PART NUMBER: GNSSDM26B0500

ELECTRICAL SPECIFICATIONS

Frequency	1561.098 ± 2.046/ 1575.42 ± 1.023/ 1602.5625 ± 4	MHz
Nominal Impedance	50	Ω
VSWR	<2.5:1	
Gain (Radiating element)	1	dBic ± 1 dB
Gain (LNA gain)	30	dB ± 2 dB
Polarization	RHCP	
Out of Band Rejection		
698 MHz	>70	dB
960MHz	>65	dB
1710MHz	>60	dB
2170MHz	>65	dB
2400MHz	>65	dB
2700MHz	>65	dB
Noise Figure	<2.4	dB
Operating Voltage	3.3-5	Vdc±0.5V
Current Consumption	<10	mA

Description: GNSS IP67 Active 30dB RHCP Antenna

Series: Active GNSS

PART NUMBER: GNSSDM26B0500

MECHANICAL SPECIFICATIONS

Plastic radome	PC/ABS
Color	Pantone 427C Gray
Ingress Protection	IP67
Weight	130g
Overall Length	541/21.3 MM/INCHES
Cable retention: Pull off	7-35 N mini
Installation toque	38-42 N/LBS
Cable Type	LMR-195 or equivalent
Connector	SMA Male

ENVIRONMENTAL SPECIFICATIONS

Operating temperature	-40/+85 ° C
Temperature shock	Per EDCS 1180288, Sec 3.3.13.2 Rate 5°C/min
Humidity	Per EDCS 1180288, Sec 3.3.13.3
Operational altitude	Per EDCS 1180288, Sec 3.3.13.4
Non operational altitude	Per EDCS 1180288, Sec 3.3.13.2
Mechanical shock	Per EDCS 1180288, Sec 3.3.13.6
Mechanical vibration	Per EDCS 1180288, Sec 3.3.13.8
Salt mist	Per EDCS 1180288, Sec 3.3.13.1
Drop test	Uncontrolled 10 times 42.0 inches

Issue: 1821

In the effort to improve our products, we reserve the right to make changes judged to be necessary.

CONFIDENTIAL AND PROPRIETARY INFORMATION

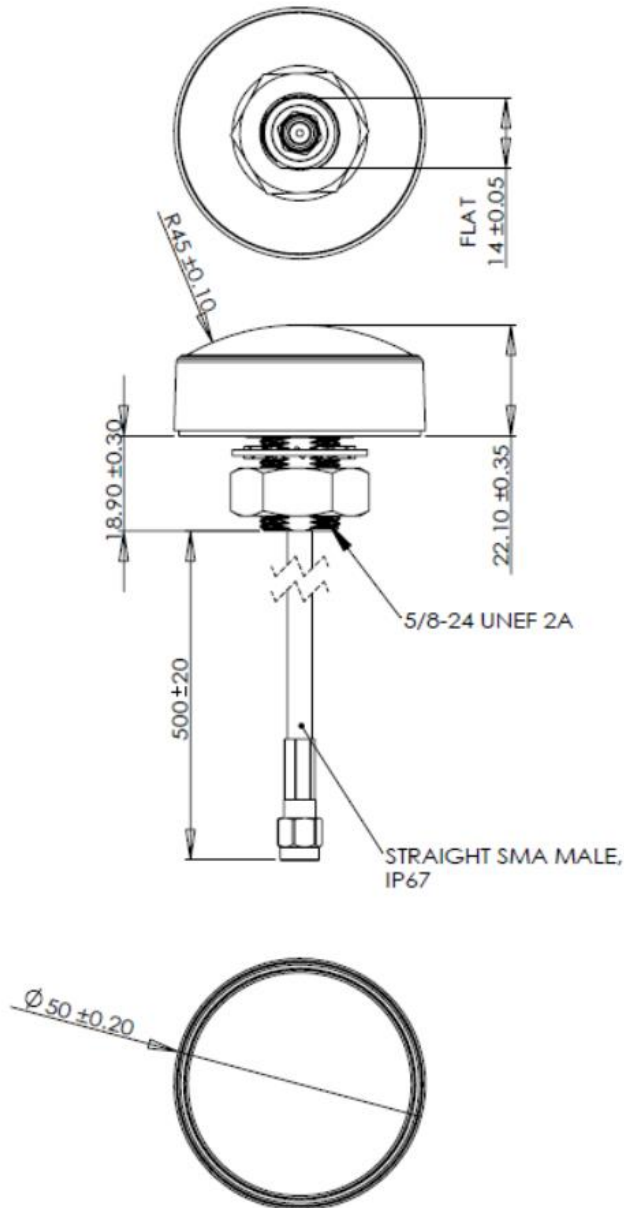
This document contains confidential and proprietary information of Pulse Electronics, Inc. (Pulse) and is protected by copyright, trade secret and other state and federal laws. Its receipt or possession does not convey any rights to reproduce, disclose its contents, or to manufacture, use or sell anything it may describe. Reproduction, disclosure or use without specific written authorization of Pulse is strictly forbidden.

Description: GNSS IP67 Active 30dB RHCP Antenna

Series: Active GNSS

PART NUMBER: GNSSDM26B0500

MECHANICAL DRAWING



Issue: 1821

In the effort to improve our products, we reserve the right to make changes judged to be necessary.

CONFIDENTIAL AND PROPRIETARY INFORMATION

This document contains confidential and proprietary information of Pulse Electronics, Inc. (Pulse) and is protected by copyright, trade secret and other state and federal laws. Its receipt or possession does not convey any rights to reproduce, disclose its contents, or to manufacture, use or sell anything it may describe. Reproduction, disclosure or use without specific written authorization of Pulse is strictly forbidden.

Description: GNSS IP67 Active 30dB RHCP
Antenna

Series: Active GNSS

PART NUMBER: GNSSDM26B0500

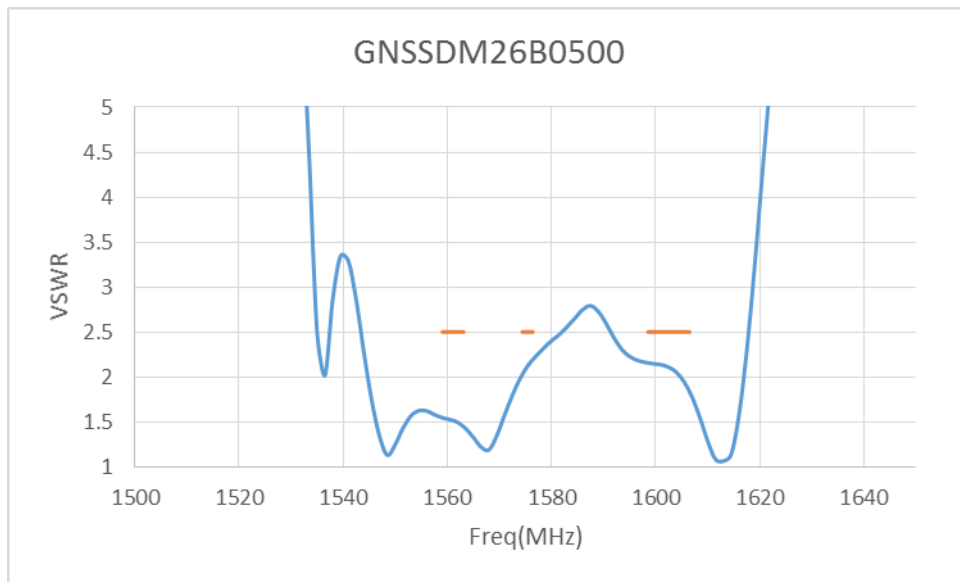
TEST SETUP

VSWR is tested in free space.

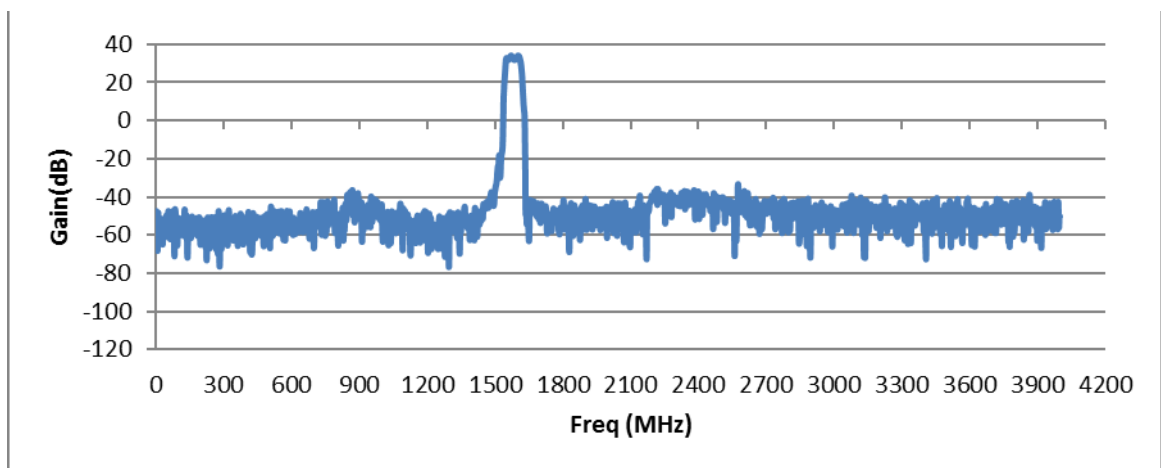
Radiation Element is test on 70X70mm ground plane.

CHARTS

VSWR



LNA Gain and out-of-band rejection



Issue: 1821

In the effort to improve our products, we reserve the right to make changes judged to be necessary.

CONFIDENTIAL AND PROPRIETARY INFORMATION

This document contains confidential and proprietary information of Pulse Electronics, Inc. (Pulse) and is protected by copyright, trade secret and other state and federal laws. Its receipt or possession does not convey any rights to reproduce, disclose its contents, or to manufacture, use or sell anything it may describe. Reproduction, disclosure or use without specific written authorization of Pulse is strictly forbidden.

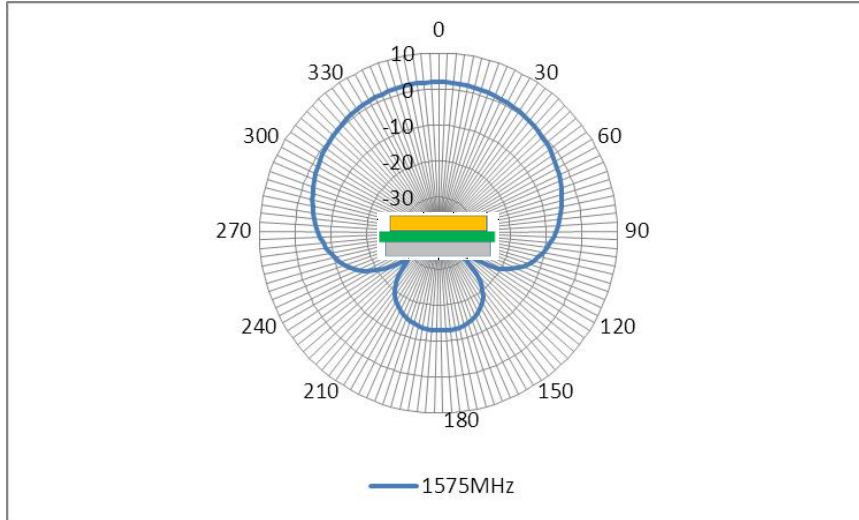
Description: GNSS IP67 Active 30dB RHCP Antenna

Series: Active GNSS

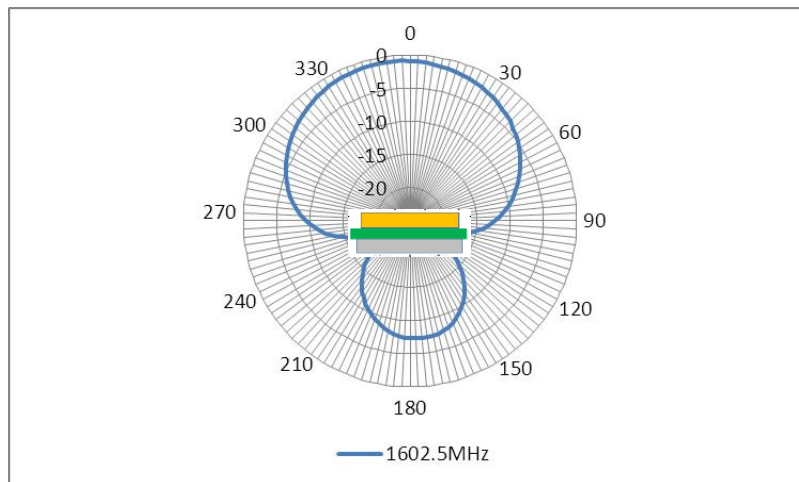
PART NUMBER: GNSSDM26B0500

CHARTS

Radiation Pattern (70mm x 70mm ground plane) GPS & Galileo



Radiation Pattern (70mm x 70mm ground plane) GLONASS



Issue: 1821

In the effort to improve our products, we reserve the right to make changes judged to be necessary.

CONFIDENTIAL AND PROPRIETARY INFORMATION

This document contains confidential and proprietary information of Pulse Electronics, Inc. (Pulse) and is protected by copyright, trade secret and other state and federal laws. Its receipt or possession does not convey any rights to reproduce, disclose its contents, or to manufacture, use or sell anything it may describe. Reproduction, disclosure or use without specific written authorization of Pulse is strictly forbidden.

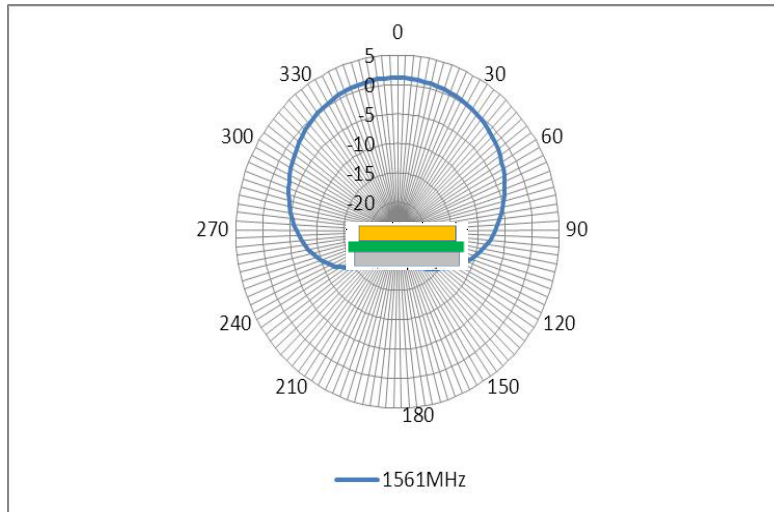
Description: GNSS IP67 Active 30dB RHCP Antenna

Series: Active GNSS

PART NUMBER: GNSSDM26B0500

CHARTS

Radiation Pattern (70mm x 70mm ground plane) BeiDou



Description: GNSS IP67 Active 30dB RHCP Antenna

Series: Active GNSS

PART NUMBER: GNSSDM26B0500

PACKAGING

Label on cable



1PCS/PE bag
21PCS/Carton box



单击下面可查看定价，库存，交付和生命周期等信息

[>>Pulse\(普思\)](#)