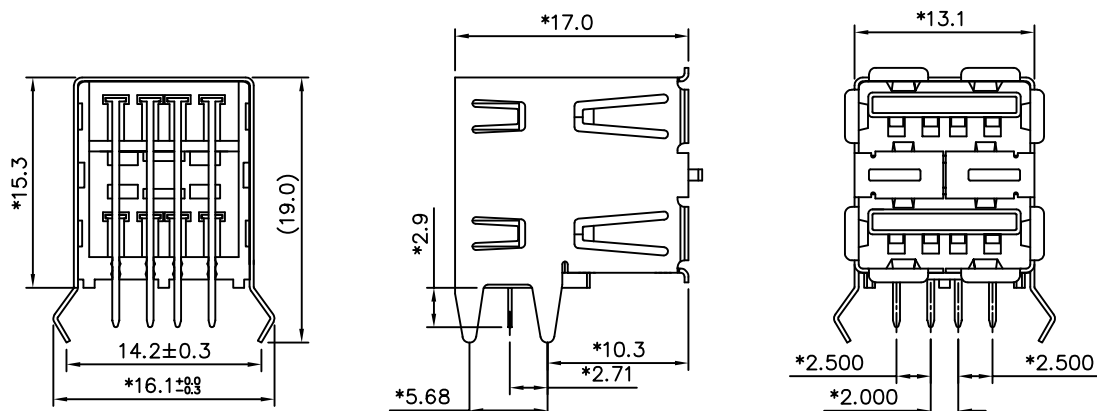
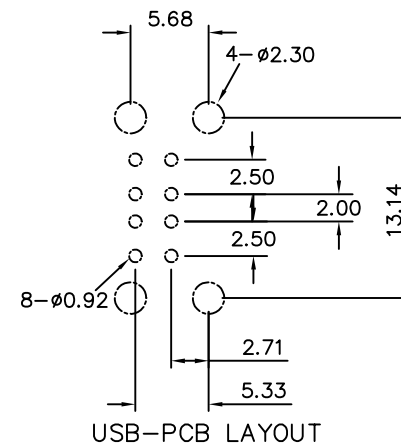
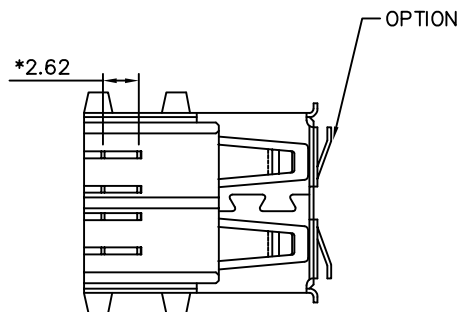


REVISION RECORD		
REV	DESCRIPTION	DRFT
11	OLD DRAWING CHECK IN	AMY 10/16/07
12	CONTACT RESISTANCE: FROM 30 TO 50 MILLIOHMS MAX	SIX 9/21/2010



NOTES:

- MATERIAL:
TERMINAL—C5191 PHOSPHOR BRONZE HARD. (t=0.25mm)
SHIELD—(t=0.30mm)COPPER ALLOY OR PHOSPHOR BRONZE.
HOUSING—PBT+ 30% G.F. UL94V-0/COLOR: WHITE & BLACK.
 - PLATING:
CONTACT—AREA—SELECTIVE PLATING. ON THE MATING END.
TAILS—150u" TIN—LEAD MIN OVER 50u" NICKEL.
SHIELD—120u" TIN—LEAD MIN OVER 50u" NICKEL.
OR 100u"~120u" NI OVER 40u" Cu.
 - TOLERANCE: ±0.3mm.±3'.
 - GAP. 0.25mm (Max.)
 - ELECTRICAL:
VOLTAGE RATING: 30 VAC RMS.
CURRENT RATING: 1.0 AMP
- 12 CONTACT RESISTANCE: 50 MILLIOHMS MAX
INSULATION RESISTANCE: 1000 MEGOHMS MIN @500 VDC
DIELECTRIC STRENGTH: 750 VAC RMS 60 HZ, 1 MIN
OPERATING LIFE: 1500 CYCLES MIN
MATING FORCE: 3.5 KGS MAX
UNMATING FORE: 1 KGS MIN
STORAGE: -40°C TO +85°C
OPERATION: -40°C TO+85°C
CAPACITANCE: 2 PF MAX 1KHZ
WAVE SOLDERING TEMPERATURE 230-250(3~5 SECONDS)
6.FRE OLD DRAWING NUMBER GE813013



PART NO.	REV	PLATING	SHIELD TYPE	MATERIAL
E8144-101021-L	C	3u" Au	NICKEL	A06-0080-L BACK

MM (INCH)		DFTO LINGER	DATE 3/28/05	Pulse A TECHNOLOG COMPANY	RoHS Compliant
TOLERANCES EXCEPT AS NOTED		CHKD AJICE	DATE 10/13/2010		
MM	±	APPVLLUSHENG	DATE 10/13/2010	PULSE	
.0 ± 0.20	±	MATERIAL :		USB A TYPE STACK	
.00 ± 0.15	±	QT'Y :		DRAWING NO. E8144-1XXX2X-L2	SIZE A3
.000 ± 0.075	±	FINISH :		/PART NO. E8144-1XXX2X-L2	REV 12
ANGLES ± 0.5°		SCALE : 1:2		DO NOT SCALE DRAWING	
THIRD ANGLE PROJECTION		SCALE : 1:2		SHEET 1 OF 1	

单击下面可查看定价，库存，交付和生命周期等信息

[>>Pulse\(普思\)](#)