

Description:

10/100 Base-TX RJ45 1x1 Tab-DOWN 8-pin Integrated Magnetics Connector, designed to support high volume cost-conscious consumer applications such as: ADSL modems, Cable modems, STB and Video on Demand.



Features and Benefits:

- ⚙️ RoHS peak wave solder temperature rating 260°C
- ⚙️ Suitable for CAT 5 & 6 Fast Ethernet Cable or better UTP

Electrical Performance Summary:

- ⚙️ Meets IEEE 802.3 specification
- ⚙️ 350µH minimum OCL with 8mA bias current
- ⚙️ High performance for Max EMI suppression

Electrical Specifications @ 25°C - Operating Temperature - 0°C to +70°C																		
RoHS Compliant Part No.	Data Rate	Turns Ratio		EMI ¹ Fingers	LEDs ² (L/R)	BST	Insertion Loss (dB MAX)	Return Loss (dB MIN) 100Ω ± 15Ω				Crosstalk (dB MIN)			Common Mode Rejection (dB MIN)		Hipot (Vrms) @60Hz 1 MIN	
		TX	RX					1-65MHz	1-10MHz	10-30MHz	30-60MHz	60-80MHz	1-30MHz	30-60MHz	60-100MHz	1-50MHz		50-150MHz
		JKM-0008NL	100BT				1CT:1	1CT:1	Yes	G/Y	Yes	-1	-18	-14	-12	-10	-35	-35
JKM-0009NL	100BT	1CT:1	1CT:1	No	G/Y	Yes	-1	-18	-14	-12	-10	-35	-35	-30	-20	-15	1500	
JKM-0010NL	100BT	1CT:1	1CT:1	Yes	None	Yes	-1	-18	-14	-12	-10	-35	-35	-30	-20	-15	1500	
JKM-0011NL	100BT	1CT:1	1CT:1	No	None	Yes	-1	-18	-14	-12	-10	-35	-35	-30	-20	-15	1500	

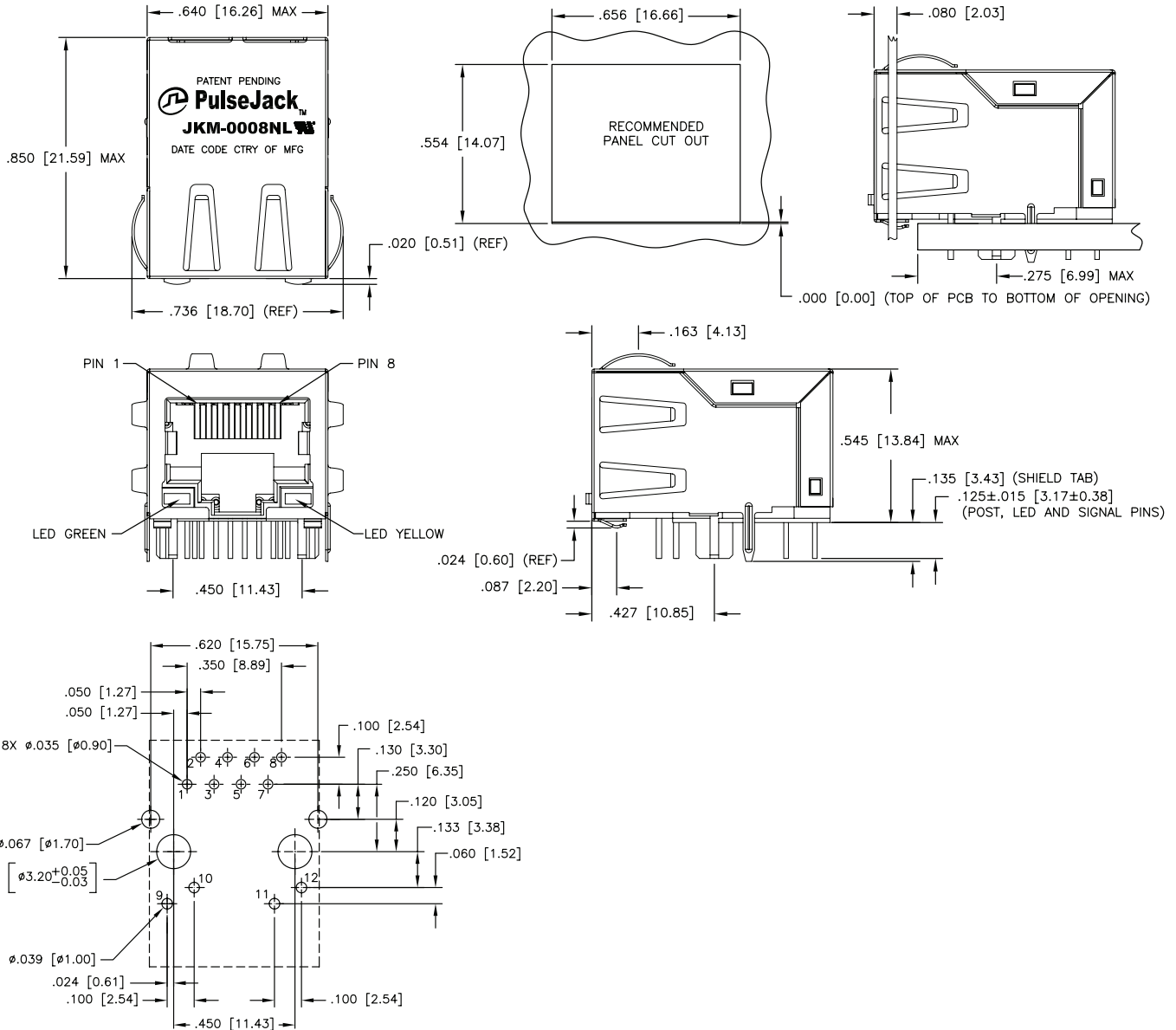
Notes: LEDs Left/Right: G=Green, Y=Yellow.

RJ45 Durability Testing Rating				
Part Number	Mating Force (MAX)	Unmating Force (MAX)	Durability	Plug to Jack Retention (MIN)
JKM Series	5lbs./2.268kgs.	5lbs./2.268kgs.	750 Insertions	20lbs./9.075kgs.

RJ45 Material Specification								
Part Number	Shield		Contact			Housing		MSL ² Rating
	Material	Finish	Material	Plating Area	Solder Area	Material	Specification	
JKM Series	Brass	20-40m inches Nickel over 10-20m inches Brass	Phosphor Bronze	Nickel underplating and selective gold plating 15µ inches	Tin matte finish	Thermoplastic	UL 94 V-0	1

Mechanicals

JKM-00XXNL



SUGGESTED FOOTPRINT (COMPONENT SIDE SHOWN)
DIMENSIONAL TOLERANCE: ±.002 (UNLESS OTHERWISE SPECIFIED)

LED Configuration

JKM-00XXNL

Green/Yellow LED Specification - (LEDs without internal resistors)

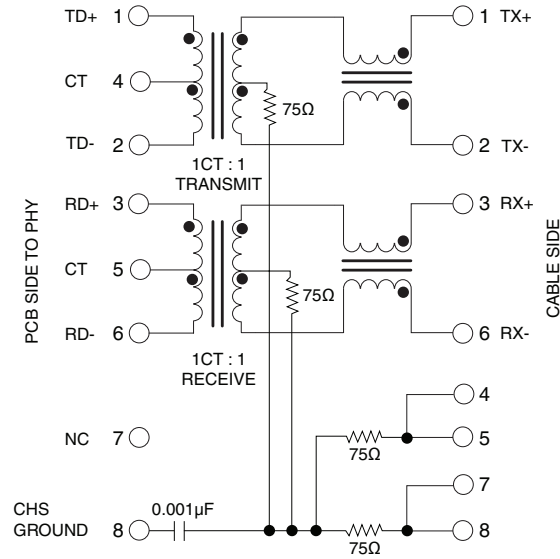


Standard LED	Wavelength	Forward* V(MAX)	(TYP)
Yellow	585 nm	2.5 V	2.1 V
Green	565 nm	2.5 V	2.2 V

* Assumes bias current = 20mA

Schematic

JKM-00XXNL



NOTE: Connect CHS GND to PCB ground.

For More Information:

Americas - prodinfo@networkamericas@pulseelectronics.com | Europe - comms-Apps-Europe@pulseelectronics.com | Asia - prodinfo@networkapac@pulseelectronics.com

Performance warranty of products offered on this data sheet is limited to the parameters specified. Data is subject to change without notice. Other brand and product names mentioned herein may be trademarks or registered trademarks of their respective owners. © Copyright, 2019. Pulse Electronics, Inc. All rights reserved.

单击下面可查看定价，库存，交付和生命周期等信息

[>>Pulse\(普思\)](#)