





10/100BASE-TX QUAD PORT TRANSFORMER MODULES

For Use with Transceivers Requiring 1:1 Transmit and Receive Turns Ratios



-  RoHS-6 peak reflow temperature rating: 245°C
-  RoHS-5 peak reflow temperature rating: 235°C
-  Meets IEEE 802.3 specification
-  Models designed to support four single- or double-stacked RJ-45 connectors

Electrical Specifications @ 25°C — Operating Temperature 0°C to 70°C

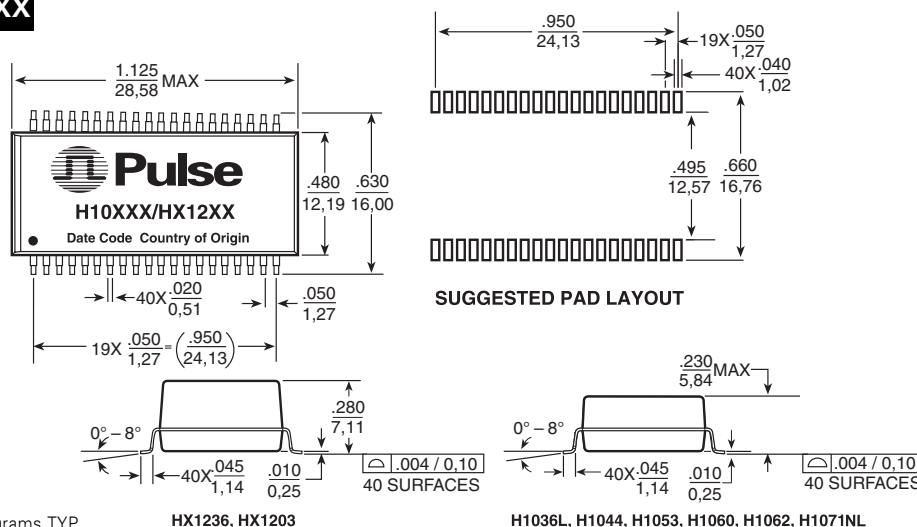
RoHS-6 ⁵ Compliant Part Number	RoHS-5 ⁴ Compliant Part Number	Insertion Loss (dB TYP)	Return Loss (dB TYP)				Crosstalk (dB TYP)				Common to Common Rejection Ratio 0.1-60 MHz (dB TYP)		Differential to Common Mode Rejection (dB TYP)	
			0.1-100 MHz	2-30 MHz	40 MHz	50 MHz	60-80 MHz	1 MHz	30 MHz	60 MHz	100 MHz	Transmit	Receive	1-60 MHz
H1036LNL ^{3d}	H1036L ^{3d}	-0.5	-21	-17	-14.5	-12	-65	-55	-45	-35	-30	-30	-40	-30
H1044NL ^{3d}	H1044 ^{3d}	-0.5	-21	-17	-14.5	-12	-65	-55	-45	-35	-30	-30	-40	-30
H1053NL ^{3d}	H1053 ^{3d}	-0.5	-21	-17	-14.5	-12	-65	-50	-40	-30	-30	-30	-40	-30
H1060NL ^{3d}	H1060 ^{3d}	-0.5	-21	-17	-14.5	-12	-65	-50	-40	-30	-30	-30	-40	-30
H1062 NL ^{3d}	H1062 ^{3d}	-0.5	-21	-17	-14.5	-12	-65	-55	-45	-35	-30	-30	-40	-30
H1071NL ^{3d}	—	-0.5	-21	-17	-14.5	-12	-65	-50	-40	-30	-30	-30	-40	-30
HX1203NL ^{1,3d}	HX1203 ^{1,3d}	-0.5	-21	-17	-14.5	-12	-65	-55	-45	-35	-30	-30	-40	-30
—	HX1236 ^{1,3c}	-0.5	-18	-16	-14.5	-12	-50	-45	-40	-35	-30	-30	-40	-35

- Operating temperature -40° to +85°C.
- For Tape & Reel packaging, add a suffix "T" to the end of the part number when ordering. e.g. H1036LT.
- MSL = Moisture Sensitivity Level a = 1, b = 2, c = 3, d = 4.
- RoHS-5: Product does not contain 5 out of the 6 banned substances specified in the RoHS directive (product contains lead in applications considered solder).
- RoHS-6: Product does not contain 5 out of the 6 banned substances specified in the RoHS directive. Some internal connections may contain lead in high-temperature solder (solder alloys containing more than 85% lead).

NOTE: All models meet input/output breakdown (Hipot) of 1500 Vrms.

Mechanical

H10XX, HX12XX



Weight 4.0 grams TYP
 Tube15/tube
 Tape & Reel250/reel

Dimensions: Inches Unless otherwise specified, all tolerances are ± .010 / 0.25 mm

USA 858 674 8100 • Germany 49 7032 7806 0 • Singapore 65 6287 8998 • Shanghai 86 21 32181071 • China 86 755 33966678 • Taiwan 886 3 4643715

10/100BASE-TX QUAD PORT TRANSFORMER MODULES

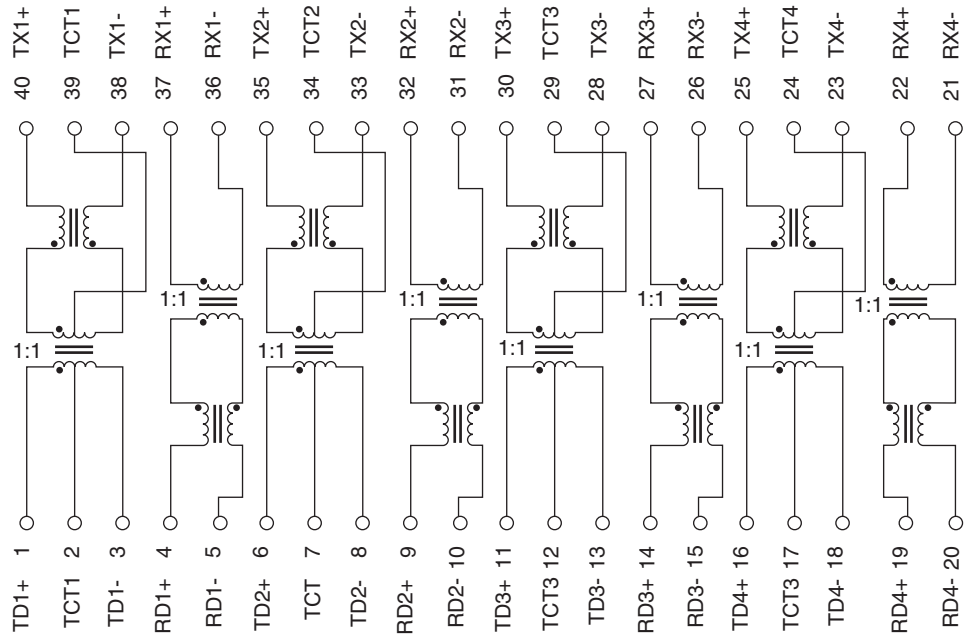
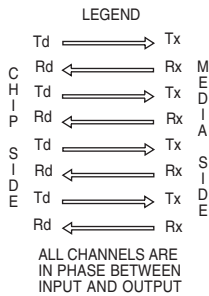


For Use with Transceivers Requiring 1:1 Transmit and Receive Turns Ratios

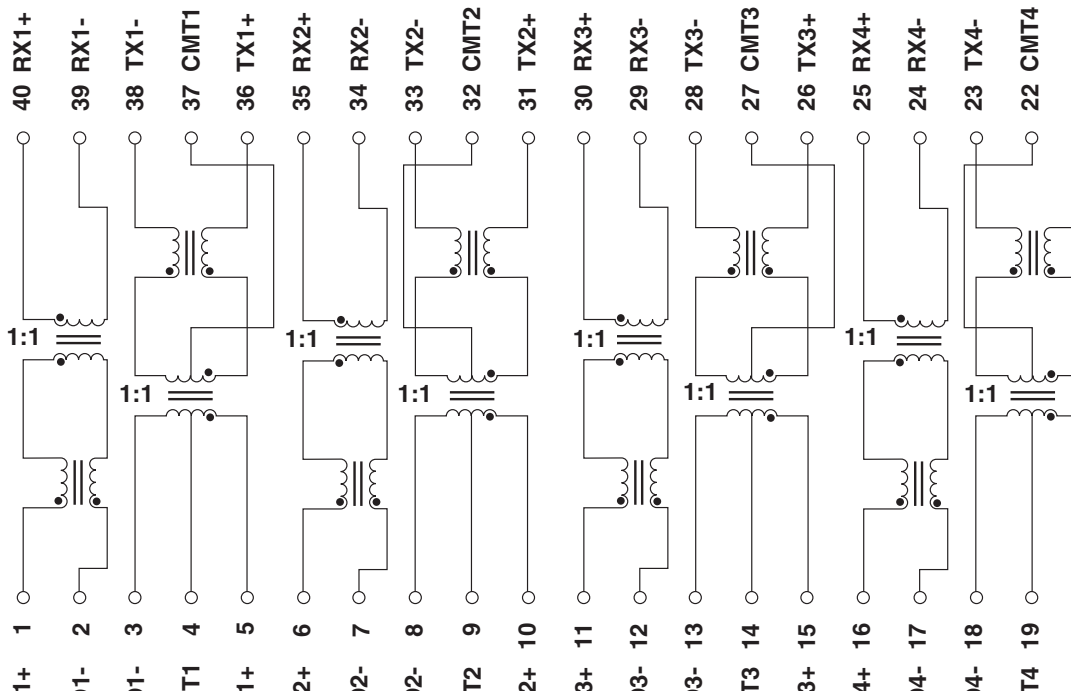
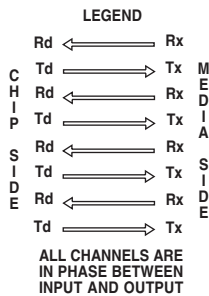
Quad-Port Solutions: The H1036L, H1044, H1053, H1060, H1062, and H1071NL are quad modules designed to support four single or double stacked RJ-45 connectors. Each has a different pinout for optimization in layout with various IC manufacturers.

Schematics

H1036L, HX1236



H1044



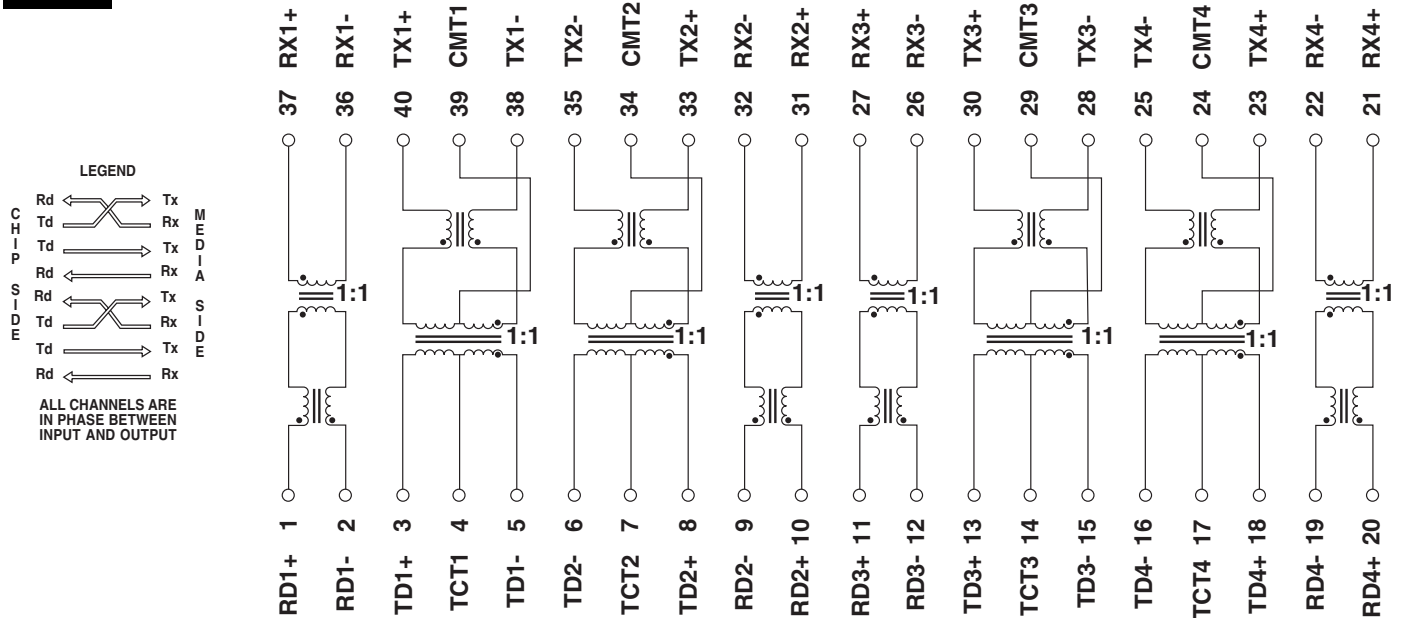
10/100BASE-TX QUAD PORT TRANSFORMER MODULES

For Use with Transceivers Requiring
1:1 Transmit and Receive Turns Ratios

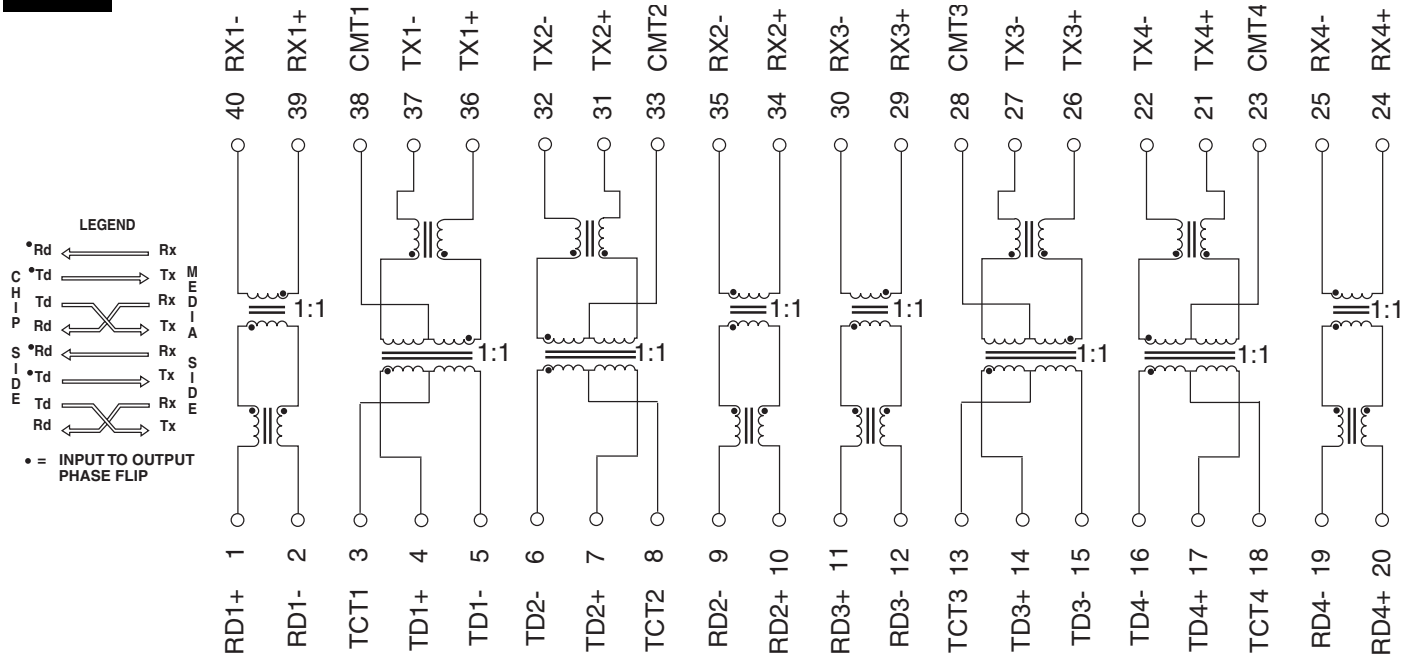


Schematics

H1053



H1060



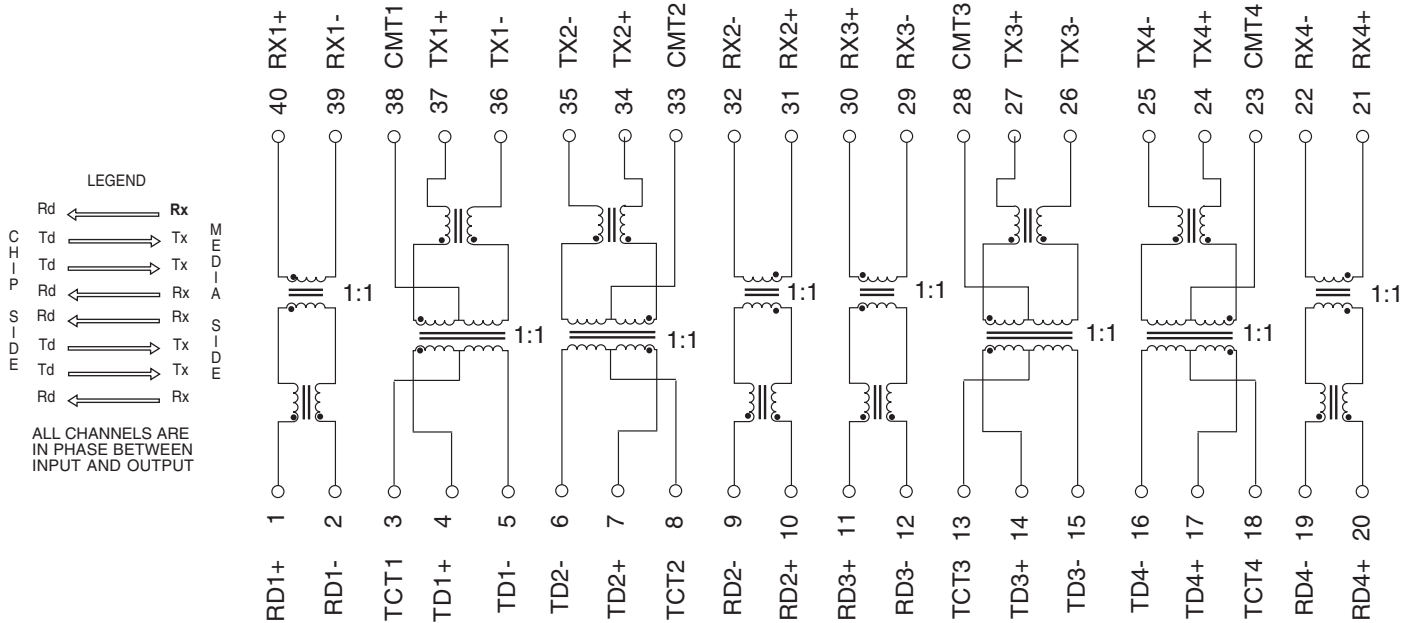
10/100BASE-TX QUAD PORT TRANSFORMER MODULES



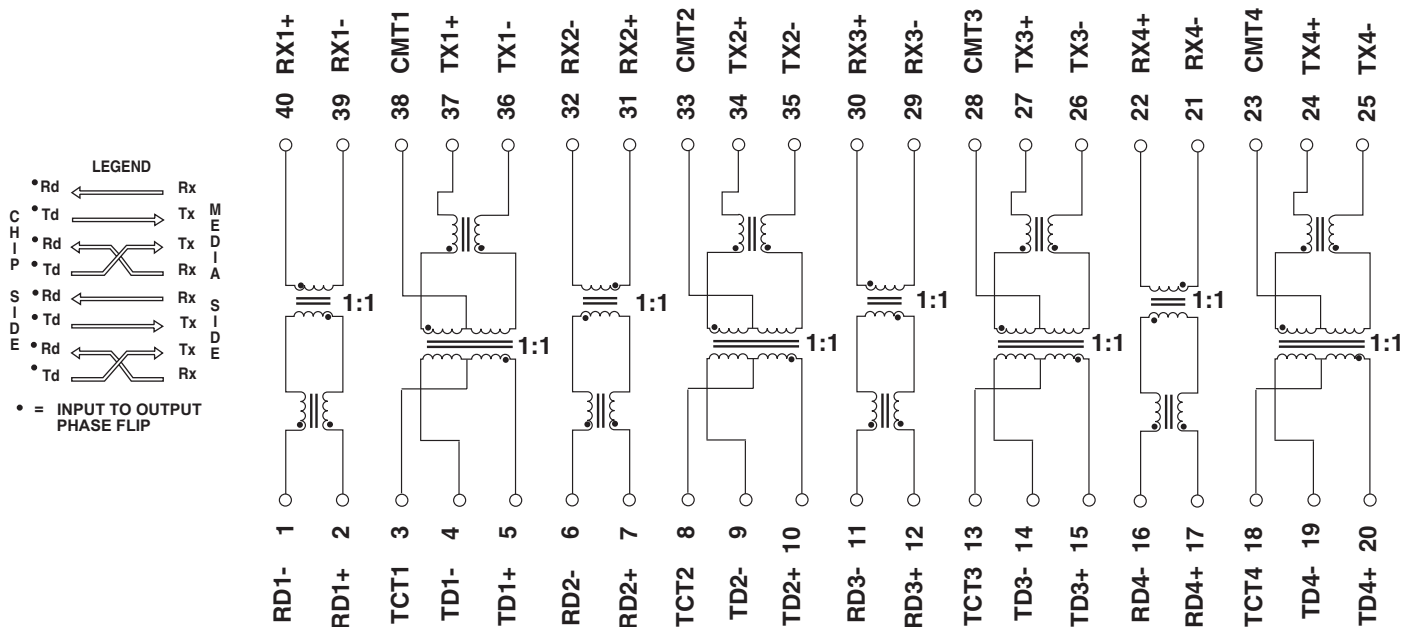
For Use with Transceivers Requiring
1:1 Transmit and Receive Turns Ratios

Schematics

H1062, HX1203



H1071NL

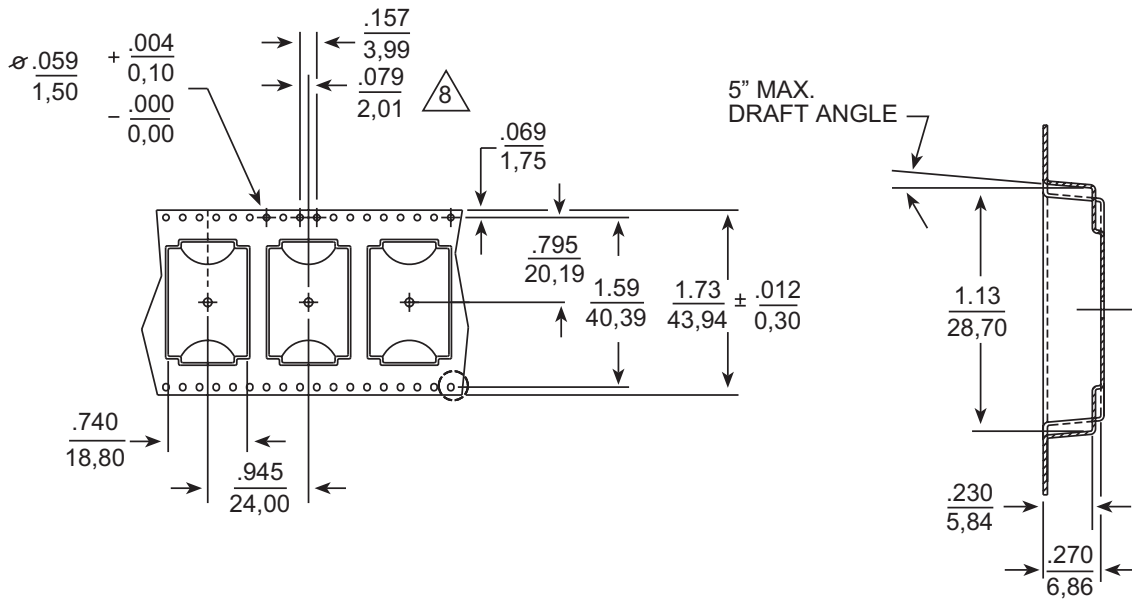


10/100BASE-TX QUAD PORT TRANSFORMER MODULES

For Use with Transceivers Requiring 1:1 Transmit and Receive Turns Ratios



Tape & Reel Specifications



For More Information:

Pulse Worldwide Headquarters	Pulse Europe	Pulse China Headquarters	Pulse North China	Pulse South Asia	Pulse North Asia
12220 World Trade Dr. San Diego, CA 92128 U.S.A.	Einsteinstrasse 1 D-71083 Herrenberg Germany	B402, Shenzhen Academy of Aerospace Technology Bldg. 10th Kejian Rd. High-Tech Zone Nanshan District Shenzhen, PR China 518057	Room 1503 XinYin Building No. 888 YiShan Rd. Shanghai 200233 China	150 Kampong Ampat #07-01/02 KA Centre Singapore 368324	No. 26, Kao Ching Rd. Yang Mei Chen Taoyuan Hsien Taiwan R. O. C.
www.pulseeng.com					
Tel: 858 674 8100 Fax: 858 674 8262	Tel: 49 7032 7806 0 Fax: 49 7032 7806 135	TEL: 86 755 33966678 FAX: 86 755 33966700	Tel: 86 21 54643211/2 Fax: 86 21 54643210	Tel: 65 6287 8998 Fax: 65 6280 0080	Tel: 886 3 4643715 Fax: 886 3 4641911

Performance warranty of products offered on this data sheet is limited to the parameters specified. Data is subject to change without notice. Other brand and product names mentioned herein may be trademarks or registered trademarks of their respective owners.

© Copyright, 2008. Pulse Engineering, Inc. All rights reserved.

单击下面可查看定价，库存，交付和生命周期等信息

[>>Pulse\(普思\)](#)