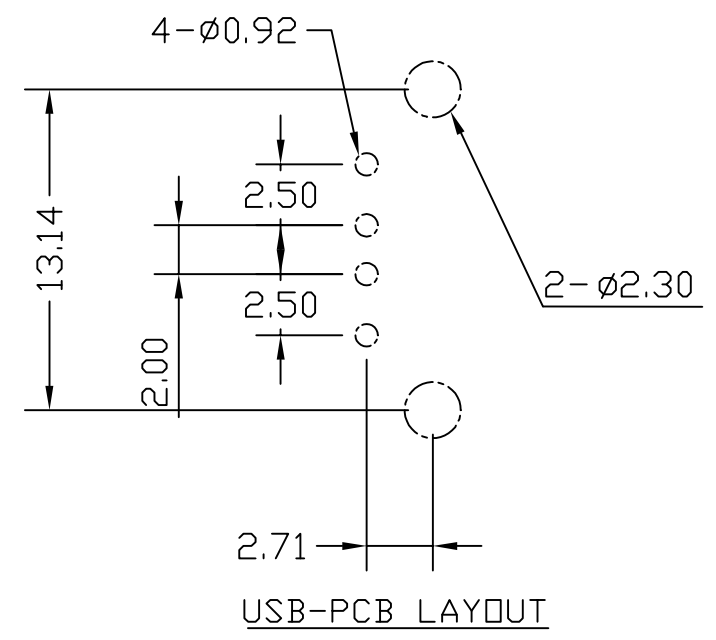
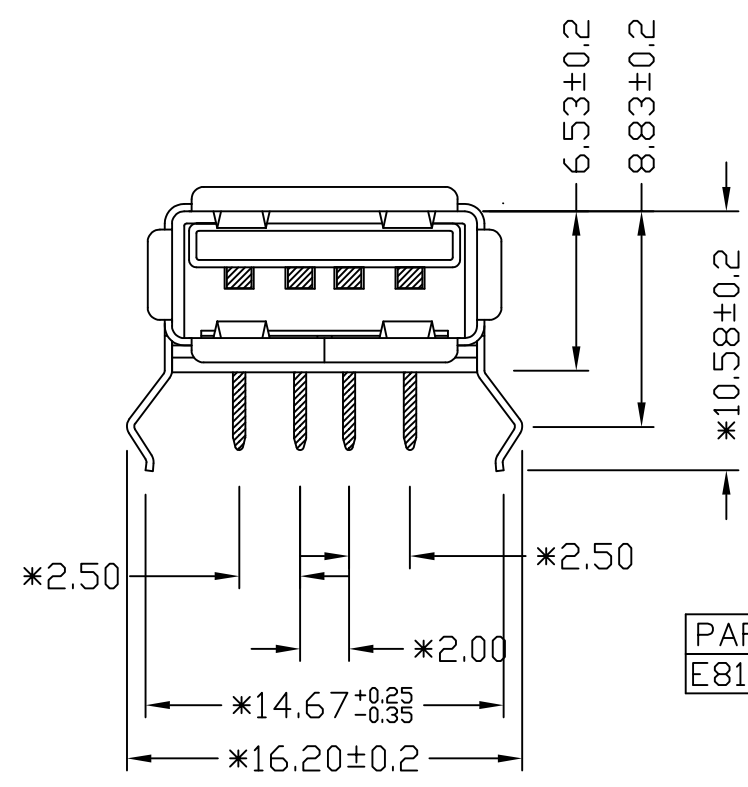
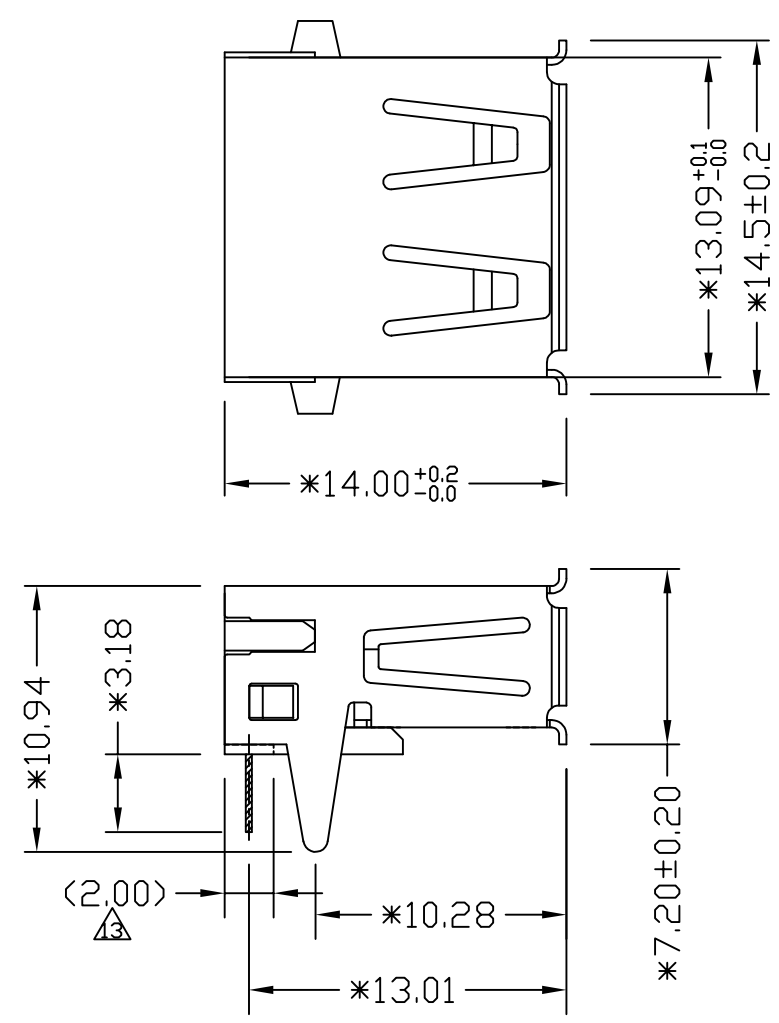


REVISION RECORD		
REV	DESCRIPTION	DRFT
13	CREATE A STAND OFF	Royzuo 09/27/13



PART NUMBER	REV	SHIELD MATERIAL	PLATING	DESCRIPTION	GOLD
E8144-A01321-L	B	COPPER ALLOY	NICKEL	PBT+15% WHITE	3u''

NOTES:

- 1.MATERIAL:
 TERMINAL-C5191 PHOSPHOR BRONZE HARD. (t=0.25mm)
 SHIELD-COPPER ALLOY(t=0.30mm)
 HOUSING-PBT+GF30% OR NYLON+GF25% UL94V-0.
 COLOR-WHITE & BLACK & BLUE.
- 2.PLATING:
 CONTACT-AREA-SELECTIVE PLATING. ON THE MATING END.
 TAILS-PLATED TIN OVER NICKEL.
 SHIELD-PLATED TIN OVER NICKEL
 OR PLATED NICKEL OVER Cu.
- 3.TOLERANCE: ±0.3mm,±3°.
- 4.GAP. 0.25mm (Max.)
- 5.ELECTRICAL:
 VOLTAGE RATING: 30 VAC RMS.
 CURRENT RATING: 1.0 AMP
 CONTACT RESISTANCE: 30 MILLIOHMS MAX
 INSULATION RESISTANCE: 1000 MEGOHMS MIN @500 VDC
 DIELECTRIC STRENGTH: 750 VAC RMS 60 HZ, 1 MIN
 OPERATING LIFE: 1500 CYCLES MIN
 MATING FORCE: 3.5 KGS MAX
 UNMATING FORE: 1 KGS MIN
 STORAGE: -40°C TO +85°C
 OPERATION: -40°C TO +85°C
 CAPACITANCE: 2 PF MAX 1KHZ
 WAVE SOLDERING TEMPERTURE:230°C TO 250°C 3-5 SECCONDS.
 RoHS COMPLIANT
 OLD DRAWING NUMBER:GE813A01-LC

DETACHED LISTS			DFTD Jerry	DATE 5/10/99		RoHS Compliant
	TOLERANCES EXCEPT AS NOTED		CHKD Sky	DATE 11/21/08		
	MM		APPVLLUSHENG	DATE 11/21/08	TITLE USB SERIES A, 4-POSITION DIP TYPE	
	.0 ± 0.20	±	MATERIAL :			
.00 ± 0.15	±	QT'Y :		DRAWING NO. E8144-AXXX2X-L	SIZE A3	REV 13
.000 ± 0.075	±	FINISH :		/PART NO. E8144-AXXX2X-L		
ANGLES ± 0.5°		SCALE : 3:1		DO NOT SCALE DRAWING		SHEET 1 OF 1
		THIRD ANGLE PROJECTION				

单击下面可查看定价，库存，交付和生命周期等信息

[>>Pulse\(普思\)](#)