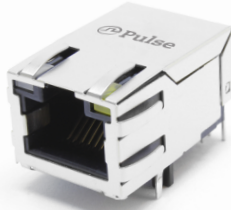


100Base-TX PulseJack™ Integrated Connector

Rugged design for industrial and outdoor use



Features and Benefits:

- Ⓢ Fully compliant to IEEE802.3.u for 100Base-Tx
- Ⓢ Compatible with market leading PHYs
- Ⓢ Rugged design for outdoor and industrial use
- Ⓢ Fully RoHS and Lead Free compliant
- Ⓢ Peak wave solder temperature 260°C
- Ⓢ Recommended replacements for older PulseJack latch-up products - J10xxXxxNL

Electrical Specifications @ 25°C - Operating Temperature -40°C to 85°C

Part Number	Inductance	Turns Ratio	LED Configuration (L/R)	EMI Fingers Configuration	IC Design Style	Isolation (Pri:Sec)	Possible replacement to older design
JXD7-0V05NL	350uH @ 8mA	1.00 +/- 2%	Yellow/Green	Top and Side	AUTOMDIX	2250VDC / 60sec	J1011F21PNL
JXD7-0V06NL	350uH @ 8mA	1.00 +/- 2%	Yellow/Green	None	AUTOMDIX	2250VDC / 60sec	J1011F01PNL
JXD7-0V07NL	350uH @ 8mA	1.00 +/- 2%	Green/Yellow	Top and Side	AUTOMDIX	2250VDC / 60sec	J1026F21CNL
JXD7-0V08NL	350uH @ 8mA	1.00 +/- 2%	Green/Yellow	None	AUTOMDIX	2250VDC / 60sec	J1012F01CNL
JXD7-0V09NL	350uH @ 8mA	1.00 +/- 2%	Green/Yellow	Top and Side	AUTOMDIX	2250VDC / 60sec	J1012F21CNL

Electrical Specifications @ 25°C - Operating Temperature -40°C to 85°C

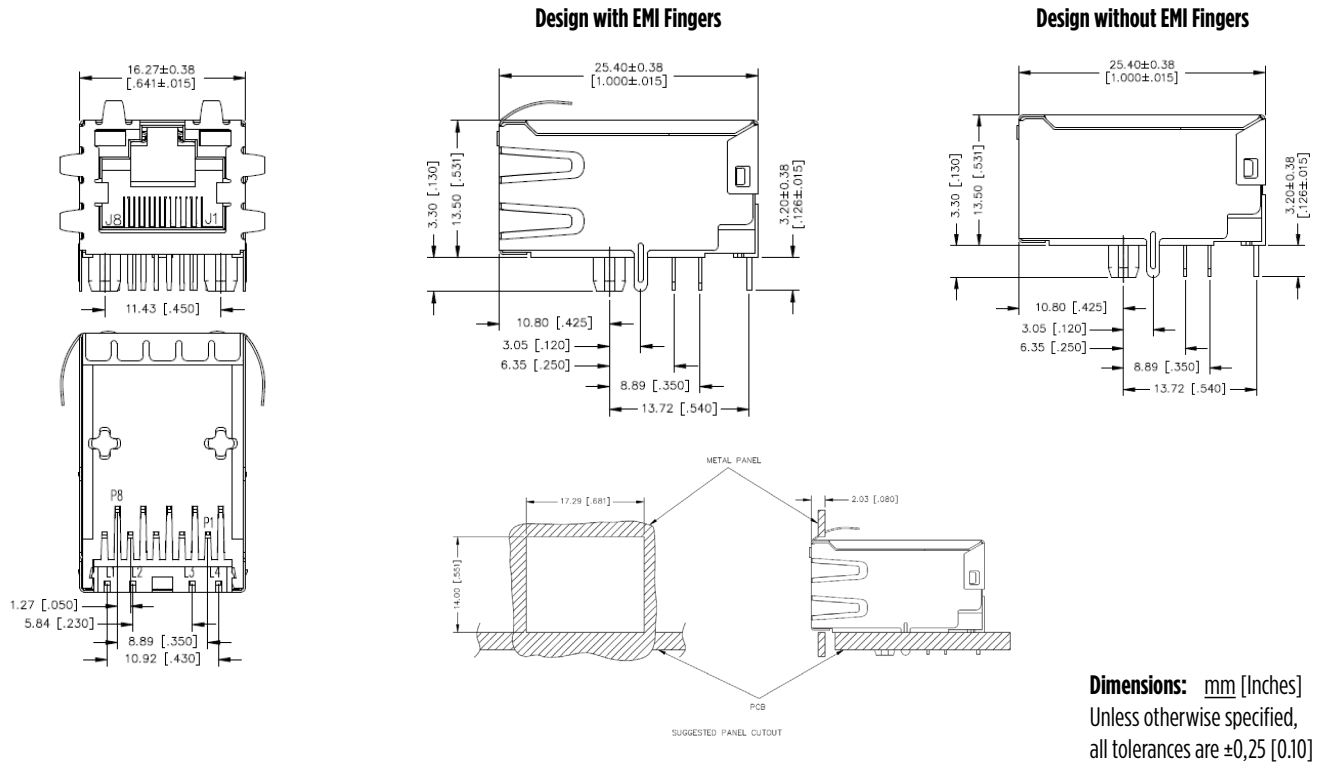
Part Number	Insertion Loss (Max)	Return Loss (Min)			Crosstalk (Min)			CMRR (Min)	
	1 - 100MHz	1 - 30MHz	30 - 60MHz	60 - 80MHz	1MHz	30 - 60MHz	100MHz	1 - 100MHz	100 - 150MHz
JXD7-0V05NL	-1.2dB	-16dB	-12dB	-10dB	-40dB	-35dB	-30dB	-30dB	-20dB
JXD7-0V06NL	-1.2dB	-16dB	-12dB	-22dB	-40dB	-35dB	-30dB	-30dB	-20dB
JXD7-0V07NL	-1.2dB	-16dB	-12dB	-22dB	-40dB	-35dB	-30dB	-30dB	-20dB
JXD7-0V08NL	-1.2dB	-16dB	-12dB	-22dB	-40dB	-35dB	-30dB	-30dB	-20dB
JXD7-0V09NL	-1.2dB	-16dB	-12dB	-22dB	-40dB	-35dB	-30dB	-30dB	-20dB

Notes:

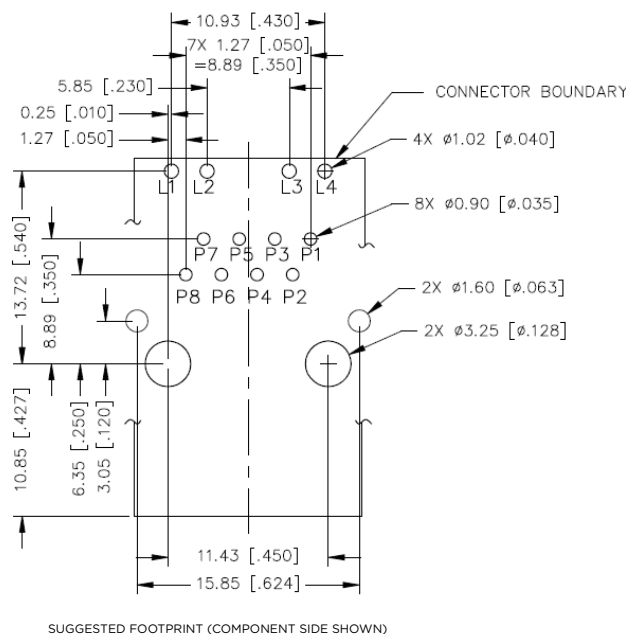
1. ROHS Compliant:
2. Plastic housing: thermoplastic material with flammability rating UL 94V-0 or better
3. Contacts plating: 30 micro-inch gold plating
4. Contacts base material: Phosphor bronze
5. Under plating: 30 micro-inch min nickel
6. Solder Tail Plating: 100 micro-inch (min), inches 100% tin, matte finish
7. Metal shield nickel plating on stainless steel
8. Jack cavity conforms to FCC part 68 subpart
9. PCB plating: HASL
10. Storage temperature: -40°C to +85°C
11. Compliance to J-STD:
 - A. J-STD-002: solderability at 245°C DIP and LOOK test
 - B. J-STD-020: level 1, no moisture sensitive
 - C. J-STD-075: W2, 270°C maximum through wave solder
12. The NL suffix part comes in trays with 50pcs/tray.

Mechanicals

JXD7-OVXXNL



Recommended Footprint

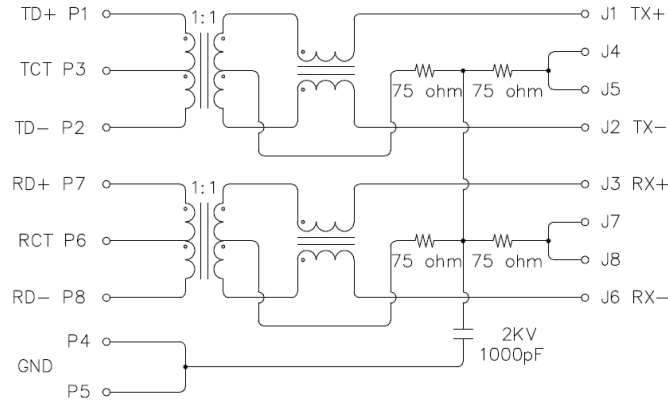


100Base-TX PulseJack™ Integrated Connector

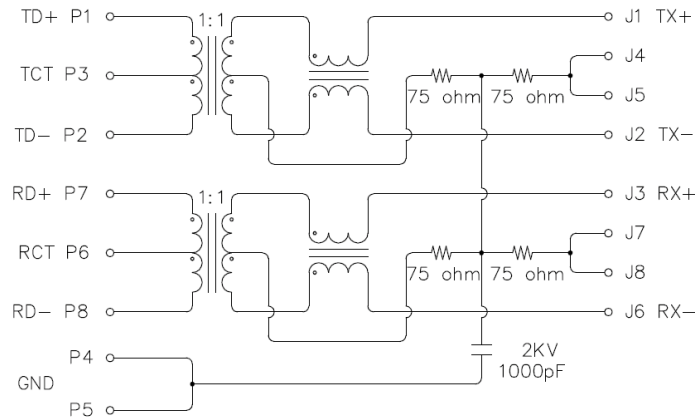
Rugged design for industrial and outdoor use

SCHEMATICS

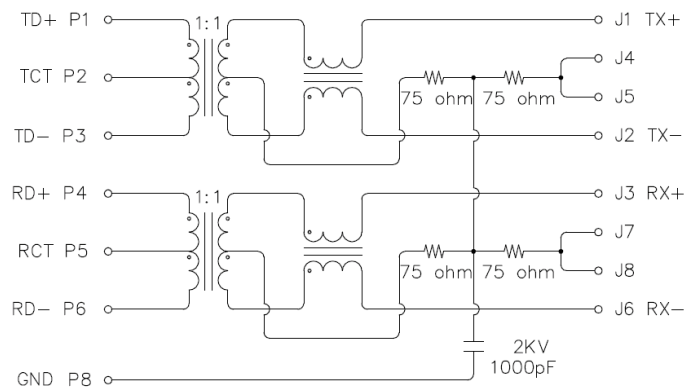
JXD7-0V05NL, JXD7-0V06NL



JXD7-0V07NL



JXD7-0V08NL, JXD7-0V09NL

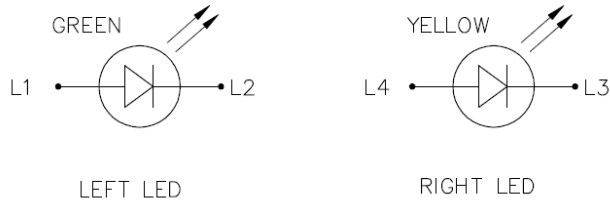


100Base-TX PulseJack™ Integrated Connector

Rugged design for industrial and outdoor use

LED SCHEMATICS

JXD7-0V05NL, JXD7-0V06NL

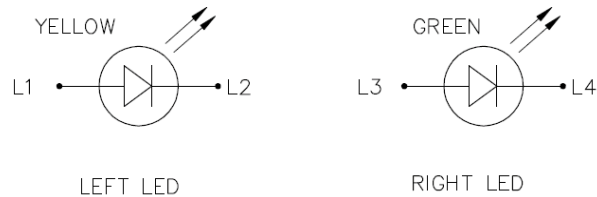


SCHEMATIC

LED SPECIFICATION

EMITTING COLOR	λ_p (nm)	$V_f@I_f=20mA$	$I_r @V_r=5V$
GREEN	565	1.7V-2.6V	10 μ A max.
YELLOW	585	1.7V-2.6V	10 μ A max.

JXD7-0V07NL, JXD7-0V08NL, JXD7-0V09NL



SCHEMATIC

LED SPECIFICATION

EMITTING COLOR	λ_p (nm)	$V_f@I_f=20mA$	$I_r @V_r=5V$
GREEN	565	1.7V-2.6V	10 μ A max.
YELLOW	585	1.7V-2.6V	10 μ A max.

For More Information:

Americas - prodinfonetworkamericas@pulseelectronics.com | Europe - comms-apps-europe@pulseelectronics.com | Asia - prodinfonetworkapac@pulseelectronics.com

Performance warranty of products offered on this data sheet is limited to the parameters specified. Data is subject to change without notice. Other brand and product names mentioned herein may be trademarks or registered trademarks of their respective owners. © Copyright, 2022. Pulse Electronics, Inc. All rights reserved.

单击下面可查看定价，库存，交付和生命周期等信息

[>>Pulse\(普思\)](#)