

## C4036NL

RF SPLITTER, 2-WAY  
5-1000 MHz  
0-DEG  
IMPEDANCE = 75 OHMS  
SURFACE MOUNT

### ELECTRICAL SPECIFICATIONS: @ 25°C

#### INSERTION LOSS:

FREQUENCY	
5-40 MHz	-4.0 dB MAX
41-500 MHz	-3.7 dB MAX
501-1000 MHz	-4.0 dB MAX

#### INPUT RETURN LOSS:

FREQUENCY	
5-1000 MHz	-16.0 dB MIN

#### OUTPUT RETURN LOSS:

FREQUENCY	
5-1000 MHz	-16.0 dB MIN

#### ISOLATION: (SAMPLE ONLY)

FREQUENCY	
5-400 MHz	-19 dB MIN
401-500 MHz	-16 dB MIN
501-1000 MHz	-10 dB MIN

#### AMPLITUDE BALANCE: (SAMPLE ONLY)

FREQUENCY	
5-40 MHz	-0.6 dB MAX
41-400 MHz	-0.4 dB MAX
401-1000 MHz	-0.6 dB MAX

#### PHASE IMBALANCE: (SAMPLE ONLY)

FREQUENCY	
5-500 MHz	3° MAX
501-1000 MHz	5° MAX

#### NOTES: UNLESS OTHERWISE SPECIFIED

1. OPERATING TEMPERATURE: 0°C TO +70°C
2. STORAGE TEMPERATURE: -20°C TO +125°C
3. JEDEC MOISTURE: LEVEL 1.
4. DIMENSIONS ARE IN INCHES WITH THE FOLLOWING TOLERANCE:  
.XX= ±.02  
.XXX= ±.010
5. OPTIONAL TAPE & REEL PACKAGING CAN BE ORDERED BY ADDING A "T" SUFFIX TO THE PART NUMBER. ie: C4036NLT
6. REVISION LEVEL M10,M11...MX IS FOR A RELEASED PRODUCTS.
7. ROHS COMPLIANT



© Copyright, 2013. Pulse Electronics Corp. All rights reserved. Drawing specifications subject to change without notice. (05/27/13)

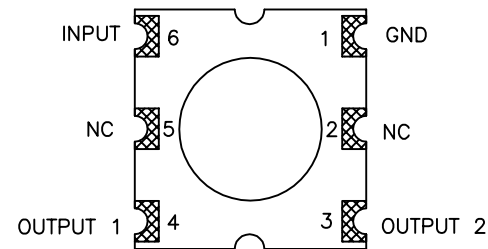
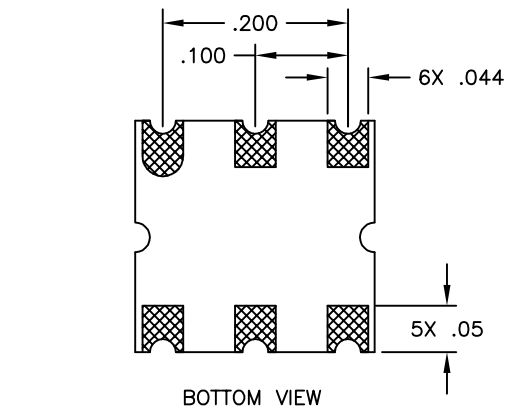
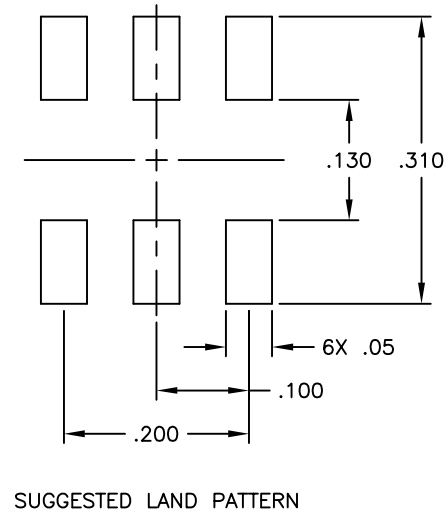
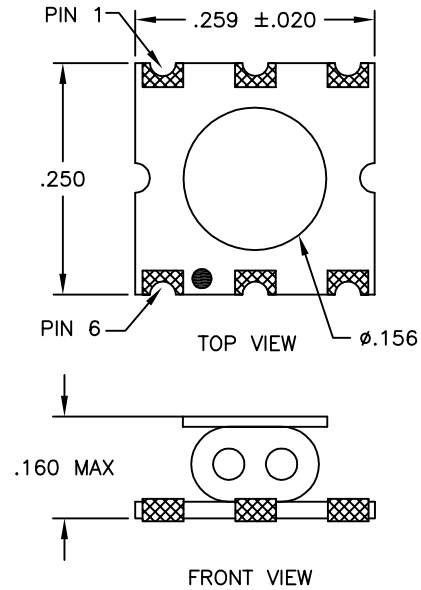
PULSE CONFIDENTIAL  
&  
PROPRIETARY

PRODUCT SPECIFICATION:

SPLTR, 2-WAY, 0-DEG, SPLTR; 5-1000MHz, UNTERM

DWG. NO./ PART NO.	SHEET:	REV.
C4036NL	1	M13

**MECHANICAL SPECIFICATIONS:**



© Copyright, 2013. Pulse Electronics Corp. All rights reserved. Drawing specifications subject to change without notice. (05/27/13)

PULSE CONFIDENTIAL  
&  
PROPRIETARY

PRODUCT SPECIFICATION:  
SPLTR, 2-WAY, 0-DEG, SPLTR; 5-1000MHz, UNTERM

DWG. NO./ PART NO.	SHEET:	REV.
C4036NL	2	M13

单击下面可查看定价，库存，交付和生命周期等信息

[>>Pulse\(普思\)](#)