

# Z-BLOCKER® Z-A431PJ31X Alarm Panel DSL Filter

## Description

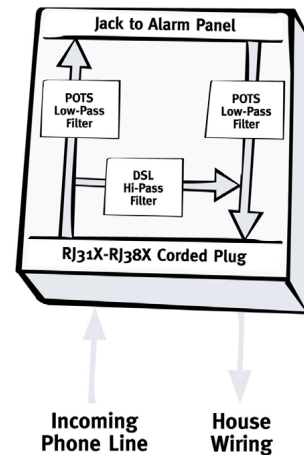
The Z-A431PJ31X is an Alarm Panel DSL Filter designed to allow to co-existence of DSL service in homes where security systems are installed. The Excelsus Alarm Panel DSL Filter isolates high-frequency DSL signals from low-frequency voice and data communication.

## Features

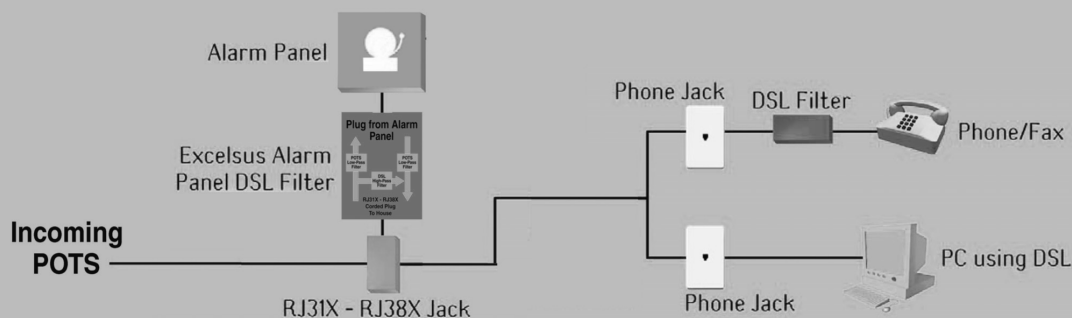
- Designed to be used with GE and Moose Panels
- Allows reliable alarm panel reporting and cut-line protection
- Uninterrupted DSL communication during alarm panel line seizure and incident reporting
- RJ31X-RJ38X connections for line seizure and cut-line protection
- Over-voltage protection, protecting alarm panel from power surges
- Easy installation for service provider personnel — less than 15 minutes to insert filter between alarm panel and phone line and perform a system test
- Compliant and Listed with FCC Part 68, CS-03, UL 60950 and CSA 22.2 60950



Z-BLOCKER® Z-A431PJ31X  
Alarm Panel DSL Filter



Block Schematic



**Smart Protection for Your Customers - and Your Business** To keep DSL from interfering with alarm panel modems - and blocking alarm calls - just plug the panel's RJ plug into the Alarm Panel DSL filter. From then on, our patented technology ensures line seizure and cut-line protection, so alarm calls can go out. Install one on every job - to protect your customers who have DSL now, and to protect your customers who add it later.

# Z-BLOCKER® Z-A431PJ31X

## Alarm Panel DSL Filter

### Z-BLOCKER Z-A431PJ31X Alarm Panel DSL Filter Specifications

ADSL Insertion Loss (32 kHz to 1.1 MHz)	
32 kHz to 300 kHz	<8dB
300 kHz to 1.1 MHz	<7dB
Insertion Loss (1000 Hz)	
Short Loop	<1.0dB
Long Loop	<0.75dB
Insertion Loss (200 to 3400 Hz)	
Short Loop	+3.5dB to -1.5dB
Long Loop	+3.5dB to -1.5dB
Insertion Loss (3400 to 4000 Hz)	
Short Loop	+10.0dB to -2.0dB
Long Loop	+10.0dB to -1.5dB
DC Resistance in Ohms	
At Line port with POTS port shorted, Tip to Ring	<25Ω
At POTS port with Line port shorted, Tip to Ring	<25Ω
At any port with all other ports open, Tip/Ring to Ground	>5MΩ
Longitudinal Balance - Two Port	
200 to 1000 Hz	>58dB
At 3000 Hz	>53dB
Inter-Modulation Distortion at -9dB level	
Voice Band	>57dB
ADSL Band	>60dB
Envelope Delay (600 to 3200 Hz)	
Short Loop	<200μs
Long Loop	<200μs
Envelope Delay (3200 to 4000 Hz)	
Short Loop	<200μs
Long Loop	<200μs
Return Loss	
ERL	>6dB
SRL-L	>5dB
SRL-H	>3dB
SRL-H (2200 to 3400 Hz single frequency)	>2dB
Capacitance	
Tip to Ring	>20nF
Tip to Ring (without modem connected)	<115nF
At POTS port, Tip/Ring to ground	<1nF
DC Loop Current - Meets specifications between 0 and 100 milliamps DC	
Isolates dial pulses and on-hook/off-hook transitions from the digital subscriber line	
Length = 60mm, 150mm including cord and plug; Width = 43mm; Height = 22mm	
US Pat. No. 6,472,992 and 6,404,347	

### For More Information:

**Americas** - [prodinfo@networkamericas@pulseelectronics.com](mailto:prodinfo@networkamericas@pulseelectronics.com) | **Europe** - [comms@pulseelectronics.com](mailto:comms@pulseelectronics.com) | **Asia** - [prodinfo@networkapac@pulseelectronics.com](mailto:prodinfo@networkapac@pulseelectronics.com)

Performance warranty of products offered on this data sheet is limited to the parameters specified. Data is subject to change without notice. Other brand and product names mentioned herein may be trademarks or registered trademarks of their respective owners. © Copyright, 2019. Pulse Electronics, Inc. All rights reserved.

单击下面可查看定价，库存，交付和生命周期等信息

[>>Pulse\(普思\)](#)