

NOTES:

ELECTRICAL:

1. VOLTAGE RATING: 125 VAC RMS MIN.
2. CURRENT RATING: 1.5 AMP MIN.
3. CONTACT RESISTANCE: 30 MILLIOHMS MAX.
4. INSULATION RESISTANCE: 1000 MEGOHMS MIN @ 500 VDC.
5. DIELECTRIC STRENGTH: 1000 VAC RMS 60Hz, 1MIN.

MECHANICAL:

1. HOUSING MATERIAL: GLASS FILLED PBT UL94V-0.
2. HOUSING COLOR : BLACK
3. CONTACT MATERIAL: PHOSPHOR BRONZE $\phi 0.46\text{mm}$.
3. PLATING : GOLD PLATING OVER NICKEL.
4. OPERATING LIFE : 750 CYCLES MIN.
5. PCB RETENTION PRE-SOLDER: 1 LB MIN.
6. PCB RETENTION POST-SOLDER: 10 LBS MIN.

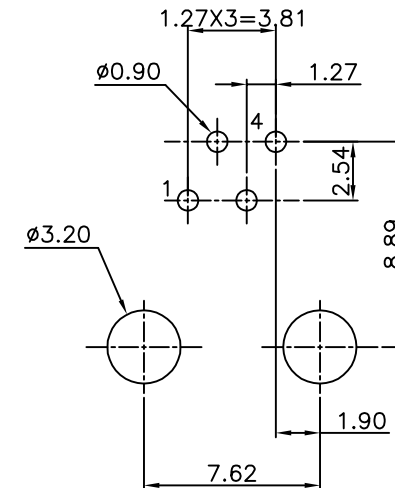
ENVIRONMENTAL:

1. STORAGE TEMPERATURE: -40°C TO $+85^{\circ}\text{C}$.
2. OPERATION TEMPERATURE: -40°C TO $+85^{\circ}\text{C}$.
3. WAVE SOLDERING TEMPERATURE: 230°C TO 250°C (3~5 SECONDS).
4. RoHS COMPLIANT.

MATES WITH MODULAR PLUG CONFORMING TO FCC PART 68, SUBPART F.

CUL FILE NO. E163191

PART NUMBER	GOLD PLATING
E5244-000032-L	15u"
E5244-000033-L	30u"



PC Board Layout T=1.6mm
Component Side Shown Tolerance $\pm 0.05\text{mm}$

DETACHED LISTS TOLERANCES EXCEPT AS NOTED MM .0 \pm 0.2 \pm .00 \pm 0.15 \pm .000 \pm 0.075 \pm ANGLES \pm 0.5	RoHS Compliant			
	TITLE TOP ENTRY PCB JACK 4P			
THIRD ANGLE PROJECTION	DFTO Cathy DATE 2006/09/26	DRAWING NO. CE523005-LC /PART NO. SEE TABLE	SIZE A3	REV 0
SCALE :		DO NOT SCALE DRAWING	SHEET 1	OF 1

H
G
F
E
D
C
B
A

单击下面可查看定价，库存，交付和生命周期等信息

[>>Pulse\(普思\)](#)