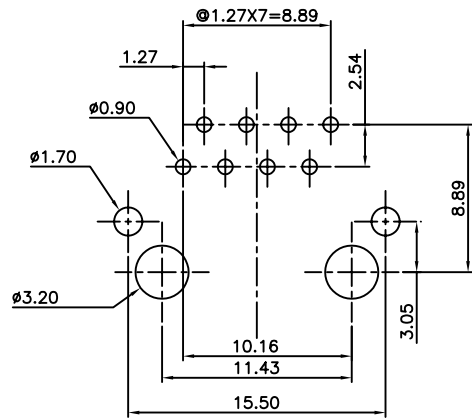
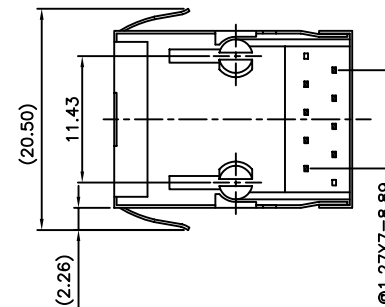
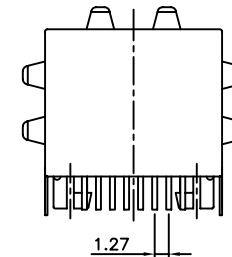
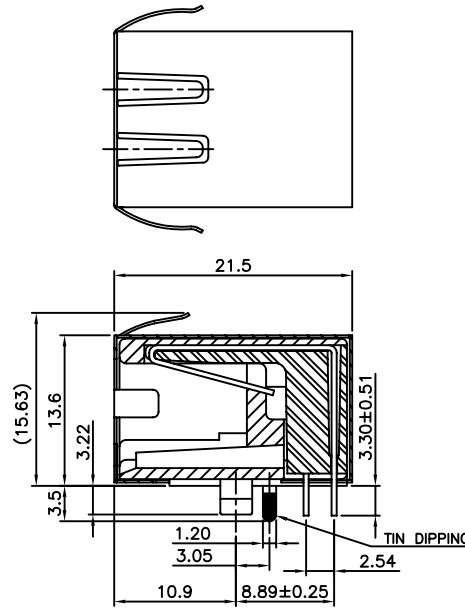
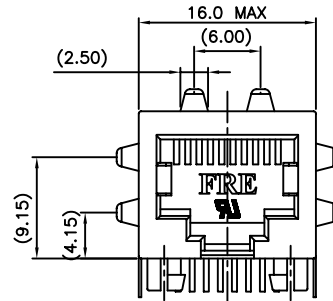


REVISION RECORD		
REV	DESCRIPTION	DRFT



PC BOARD LAYOUT T=1.60mm  
COMPONENT SIDE SHOWN  
TOLERANCES±0.05mm



**NOTES:**

**ELECTRICAL:**

- VOLTAGE RATING : 125 VAC RMS MIN.
- CURRENT RATING : 1.5 AMP MIN.
- CONTACT RESISTANCE : 45 MILLIOHMS MAX.
- INSULATION RESISTANCE: 1000 MEGOHMS MIN @ 500 VDC.
- DIELECTRIC STRENGTH : 1000 VDC RMS 60Hz, 1MIN.

**MECHANICAL:**

- HOUSING MATERIAL : GLASS FIBER FILLED NYLON. UL94V-0\BLACK.
- CONTACT MATERIAL : PHOSPHOR BRONZE t=0.35mm
- SHIELD MATERIAL : COPPER ALLOY WITH NICKEL PLATING.
- PLATING : GOLD PLATING OVER NICKEL.
- OPERATING LIFE : 750 CYCLES MIN.
- PCB RETENTION PRE-SOLDER : 1 LB MIN.
- PCB RETENTION POST-SOLDER: 10 LBS MIN.

**ENVIRONMENTAL:**

- STORAGE : -40°C TO +85°C.
- OPERATION: -40°C TO +85°C.
- WAVE SOLDER TEMPERATURE : 255°C~265°C (5~10 SECONDS).

MATES WITH MODULAR PLUG CONFORMING TO  
FCC PART 68, SUBPART F.  
CUL FILE NO. E163191

E5908-LEJ744-L	30u"
PART NO.	Au PLATING

		<b>RoHS Compliant</b>			
TOLERANCES EXCEPT AS NOTED		TITLE CONTACT			
MM	±	20.57 PCB JACK 8P			
.0 ± 0.25	±				
.00 ± 0.20	±				
.000 ± 0.10	±	DRAWING NO. CE5908-LEJ74X-L		SIZE A3	REV 0
ANGLES ± 1°		DFTO : ELLA		/PART NO. E5908-LEJ744-L	
		DATE : 09/17/2012		SCALE : 2:1	
THIRD ANGLE PROJECTION		DO NOT SCALE DRAWING		SHEET 1 OF 1	

单击下面可查看定价，库存，交付和生命周期等信息

[>>Pulse\(普思\)](#)