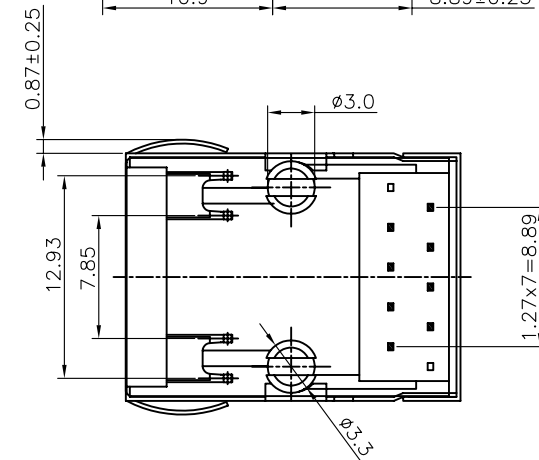
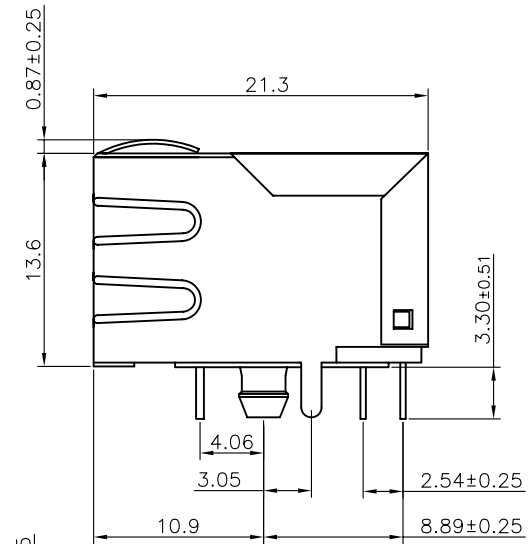
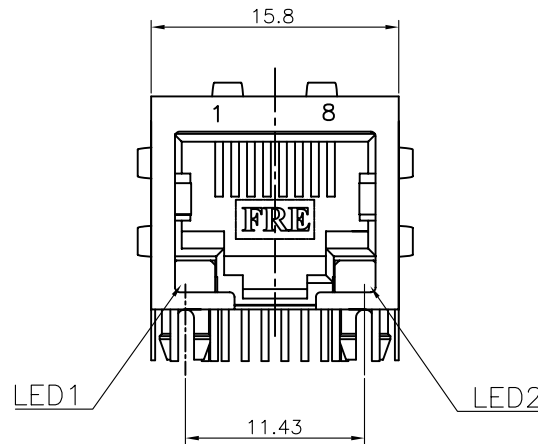
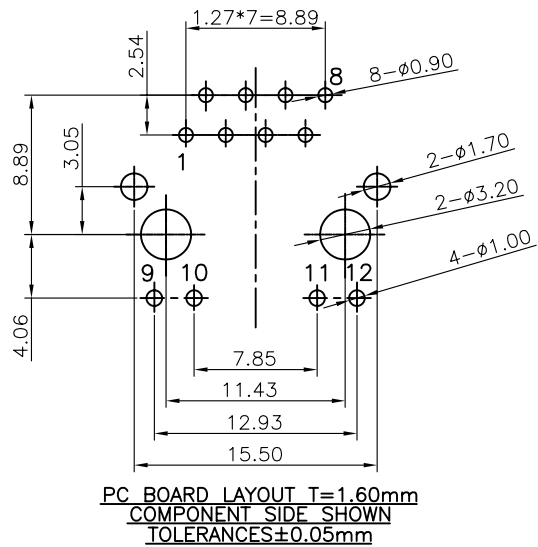


REVISION RECORD		
REV	DESCRIPTION	DRFT



**NOTES:**

**ELECTRICAL:**

- VOLTAGE RATING : 125 VAC RMS .
- CURRENT RATING : 1.5 AMP .
- CONTACT RESISTANCE : 45 MILLIOHMS MAX.
- INSULATION RESISTANCE: 1000 MEGOHMS MIN @ 500 VDC.
- DIELECTRIC STRENGTH : 1000 VDC RMS 60Hz, 1MIN.
- LED 1 WAVELENGTH: 565±10 nm.
- LED 2 (Bi-color) WAVELENGTH: GREEN: 565±10 nm, ORANGE: 613±10 nm

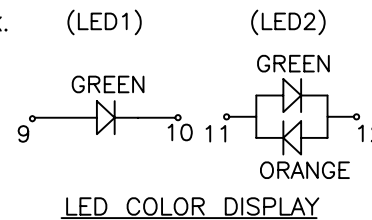
**MECHANICAL:**

- HOUSING MATERIAL : GLASS FIBER FILLED NYLON, UL94V-0\BLACK.
- CONTACT MATERIAL : PHOSPHOR BRONZE t=0.35mm.
- SHIELD MATERIAL : COPPER ALLOY WITH NICKEL PLATING.
- PLATING : GOLD PLATING OVER NICKEL.
- OPERATING LIFE : 750 CYCLES MIN.
- PCB RETENTION PRE-SOLDER : 1 LB MIN.
- PCB RETENTION POST-SOLDER: 10 LBS MIN.

**ENVIRONMENTAL:**

- STORAGE : -40°C TO +85°C.
- OPERATION: -40°C TO +85°C.
- SOLDERING TEMPERATURE: 255°C~265°C (5~10 SECONDS)

MATES WITH MODULAR PLUG CONFORMING TO  
FCC PART 68, SUBPART F.  
UL FILE NO. E163191



E5J88-19LJP5-L	50u"
PART NO.	Au PLATING

Downloaded From [Oneyac.com](http://Oneyac.com)

DETACHED LISTS	MM (INCH)	RoHS Compliant		Pulse Electronics		
	TOLERANCES EXCEPT AS NOTED		TITLE			
	MM	±	Connctor,20.57 LED JACK			
	.0 ± 0.25 .00 ± 0.20 .000 ± 0.10	± ± ±	DFTO : ELLA	DRAWING NO. CE5J88-19LJPX-L	SIZE A3	REV 0
ANGLES ± 1°		DATE : 09/17/2012	/PART NO. E5J88-19LJP5-L	DO NOT SCALE DRAWING		
THIRD ANGLE PROJECTION		SCALE : 3:1	SHEET 1 OF 1			

单击下面可查看定价，库存，交付和生命周期等信息

[>>Pulse\(普思\)](#)