

Description: 2.4-2.5GHz Sheet Metal PIFA

Series: Embedded Antenna

PART NUMBER: W3317

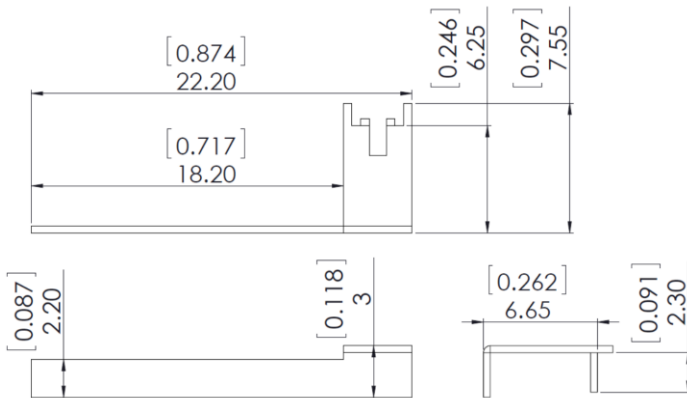


Features:

- 2400-2500MHz
- Gain 4dBi
- Radiation Efficiency 77%
- Size 22.4 x 3 x 6.25mm
- VSWR 2:1

Applications:

- Wi-Fi, Bluetooth, ZigBee
- 2.4GHz ISM band radios
- Routers, Gateways
- IoT terminals
- M2M
- Automation, security, transportation



All dimensions are in mm / inches

Issue: 1649

In the effort to improve our products, we reserve the right to make changes judged to be necessary.

CONFIDENTIAL AND PROPRIETARY INFORMATION

This document contains confidential and proprietary information of Pulse Electronics, Inc. (Pulse) and is protected by copyright, trade secret and other state and federal laws. Its receipt or possession does not convey any rights to reproduce, disclose its contents, or to manufacture, use or sell anything it may describe. Reproduction, disclosure or use without specific written authorization of Pulse is strictly forbidden.

For more information:

Pulse Worldwide Headquarters
12220 World Trade Drive
San Diego, CA 92128
USA
Tel: 1-858-674-8100

Pulse/Larsen Antennas
18110 SE 34th St Bldg 2 Suite 250
Vancouver, WA 98683
USA
Tel: 1-360-944-7551

Europe Headquarters
Pulse GmbH & Do, KG
Zeppelinstrasse 15
Herrenberg, Germany

Pulse (Suzhou) Wireless Products Co, Inc.
99 Huo Ju Road(#29 Bldg,4th Phase
Suzhou New District
Jiangsu Province, Suzhou 215009 PR China
Tel: 86 512 6807 9998



Description: 2.4-2.5GHz Sheet Metal PIFA

Series: Embedded Antenna

PART NUMBER: W3317

ELECTRICAL SPECIFICATIONS

| | | |
|--------------------|-----------|--------------|
| Frequency | 2400-2500 | MHz |
| Nominal Impedance | 50 | Ω |
| VSWR | 2:1 | |
| Average efficiency | 77 | % |
| Peak Gain | 4 | dBi +/- 1 dB |
| Polarization: | linear | |
| Power withstanding | 5 | W |

Note:

1. Performance measured on standard 100x100x1mm evaluation board, refer to page 5.

Issue: 1649

In the effort to improve our products, we reserve the right to make changes judged to be necessary.

CONFIDENTIAL AND PROPRIETARY INFORMATION

This document contains confidential and proprietary information of Pulse Electronics, Inc. (Pulse) and is protected by copyright, trade secret and other state and federal laws. Its receipt or possession does not convey any rights to reproduce, disclose its contents, or to manufacture, use or sell anything it may describe. Reproduction, disclosure or use without specific written authorization of Pulse is strictly forbidden.

Downloaded From Oneyac.com

Description: 2.4-2.5GHz Sheet Metal PIFA

Series: Embedded Antenna

PART NUMBER: W3317

MECHANICAL SPECIFICATIONS

| | | |
|----------------|-------------|--------------------------|
| Material | Cu | Copper-Nickel-Zinc Alloy |
| Weight | 0.27 | g |
| Thickness | 0.4[0.016] | mm[inch] |
| Overall Length | 22.2[0.874] | mm[inch] |

ENVIRONMENTAL SPECIFICATIONS

| | | |
|-----------------------|------------------------|-----------|
| Operating temperature | -40/+105 | ° C |
| Low temperature | -30 ° C | 500 hours |
| High temperature | +85 ° C | 500 hours |
| Humidity | +85°C and 90-95 % r.h. | 96 hours |
| Vibration | X&Y directions | 2 hours |
| | Z directions | 4 hours |
| Thermal Shock | -30 ° C /+85 ° C | 5 cycles |

Issue: 1649

In the effort to improve our products, we reserve the right to make changes judged to be necessary.

CONFIDENTIAL AND PROPRIETARY INFORMATION

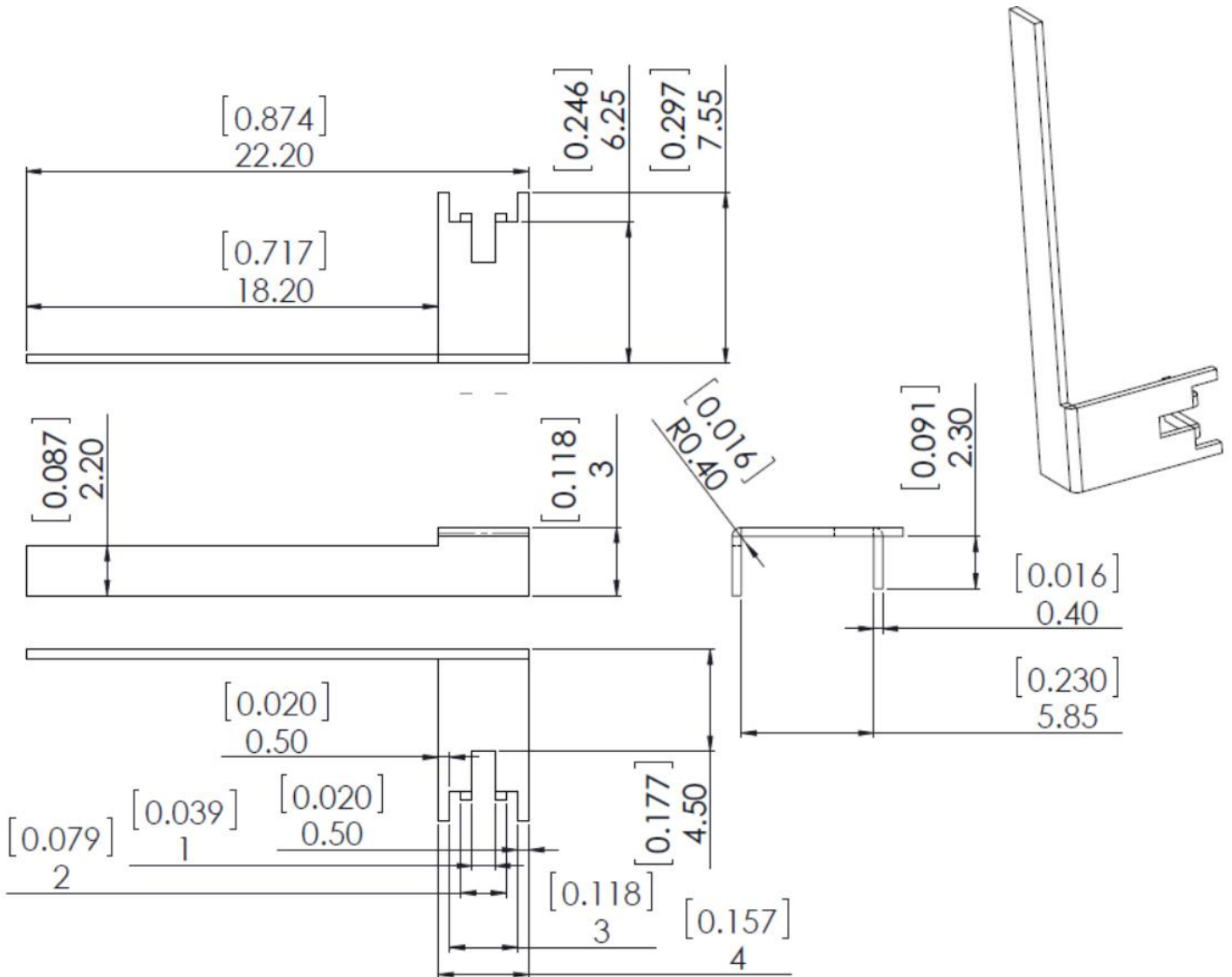
This document contains confidential and proprietary information of Pulse Electronics, Inc. (Pulse) and is protected by copyright, trade secret and other state and federal laws. Its receipt or possession does not convey any rights to reproduce, disclose its contents, or to manufacture, use or sell anything it may describe. Reproduction, disclosure or use without specific written authorization of Pulse is strictly forbidden.

Description: 2.4-2.5GHz Sheet Metal PIFA

Series: Embedded Antenna

PART NUMBER: W3317

MECHANICAL DRAWING



Issue: 1649

In the effort to improve our products, we reserve the right to make changes judged to be necessary.

CONFIDENTIAL AND PROPRIETARY INFORMATION

This document contains confidential and proprietary information of Pulse Electronics, Inc. (Pulse) and is protected by copyright, trade secret and other state and federal laws. Its receipt or possession does not convey any rights to reproduce, disclose its contents, or to manufacture, use or sell anything it may describe. Reproduction, disclosure or use without specific written authorization of Pulse is strictly forbidden.

Description: 2.4-2.5GHz Sheet Metal PIFA

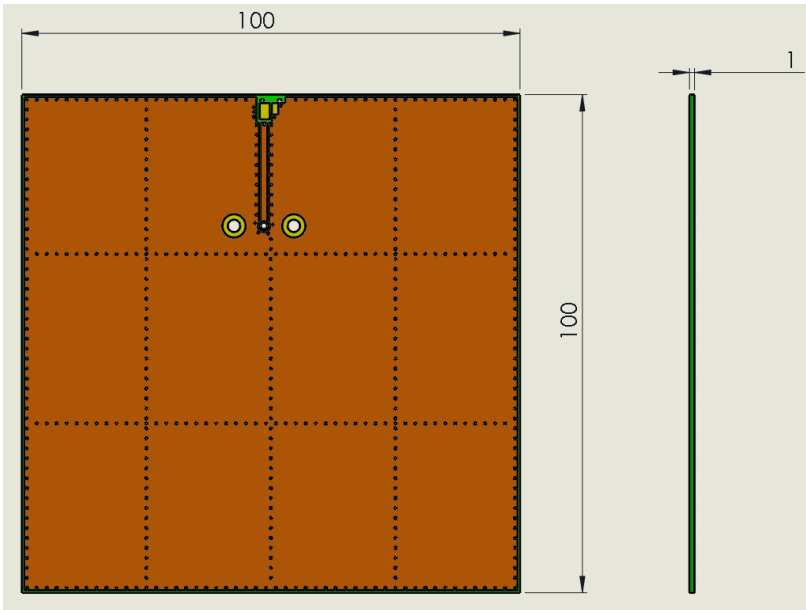
Series: Embedded Antenna

PART NUMBER: W3317

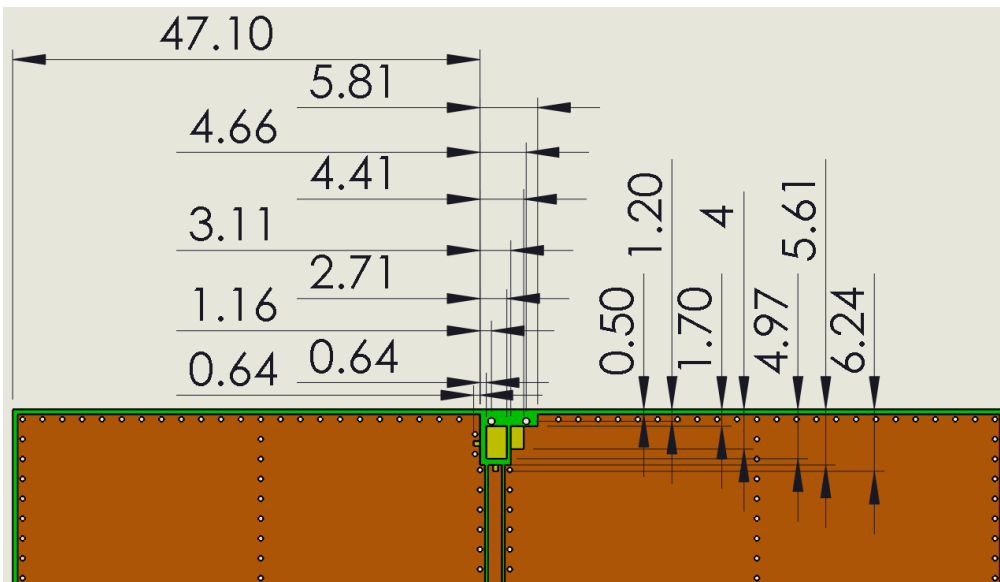
OTHER SPECIFICATIONS

PCB LAYOUT

1. PCB material, FR4, size, 100X100X1mm



2. Clearance area (Top)



Issue: 1649

In the effort to improve our products, we reserve the right to make changes judged to be necessary.

CONFIDENTIAL AND PROPRIETARY INFORMATION

This document contains confidential and proprietary information of Pulse Electronics, Inc. (Pulse) and is protected by copyright, trade secret and other state and federal laws. Its receipt or possession does not convey any rights to reproduce, disclose its contents, or to manufacture, use or sell anything it may describe. Reproduction, disclosure or use without specific written authorization of Pulse is strictly forbidden.

Description: 2.4-2.5GHz Sheet Metal PIFA

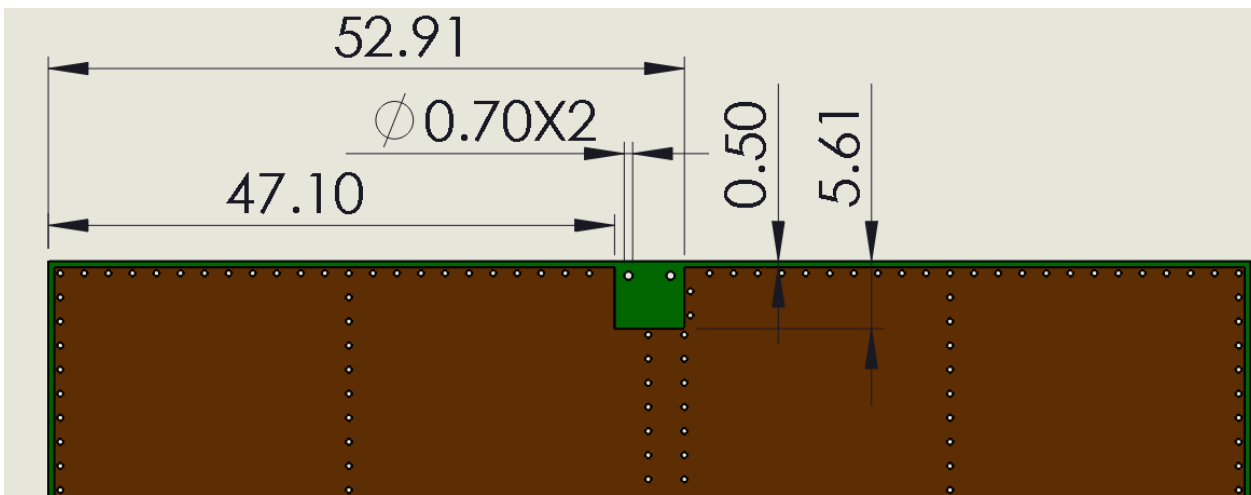
Series: Embedded Antenna

PART NUMBER: W3317

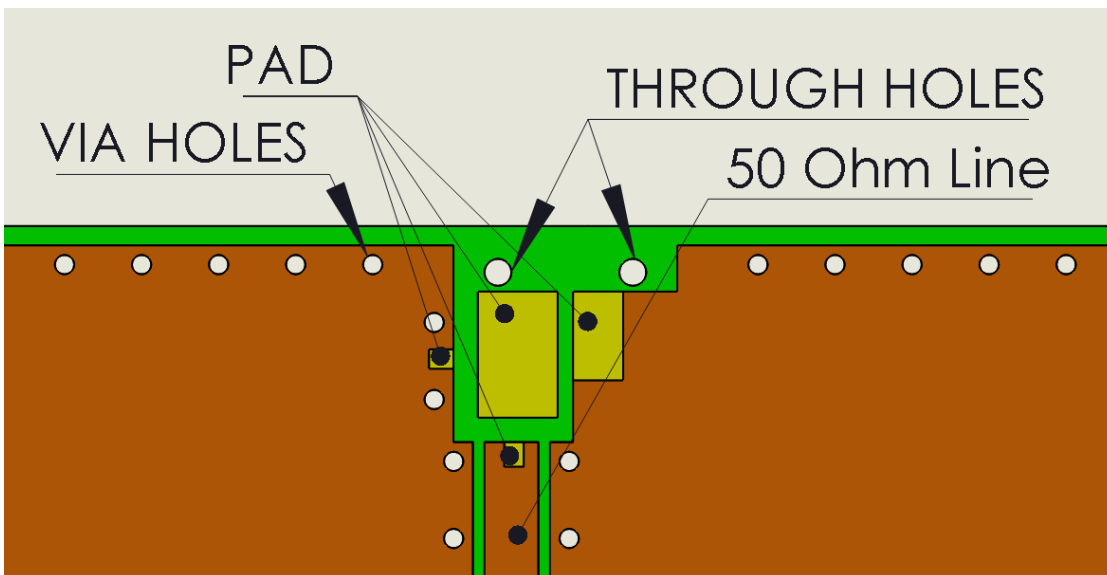
OTHER SPECIFICATIONS

PCB LAYOUT

3. Clearance area (Bottom)



4. PCB features



Issue: 1649

In the effort to improve our products, we reserve the right to make changes judged to be necessary.

CONFIDENTIAL AND PROPRIETARY INFORMATION

This document contains confidential and proprietary information of Pulse Electronics, Inc. (Pulse) and is protected by copyright, trade secret and other state and federal laws. Its receipt or possession does not convey any rights to reproduce, disclose its contents, or to manufacture, use or sell anything it may describe. Reproduction, disclosure or use without specific written authorization of Pulse is strictly forbidden.

Downloaded From Oneyac.com

Description: 2.4-2.5GHz Sheet Metal PIFA

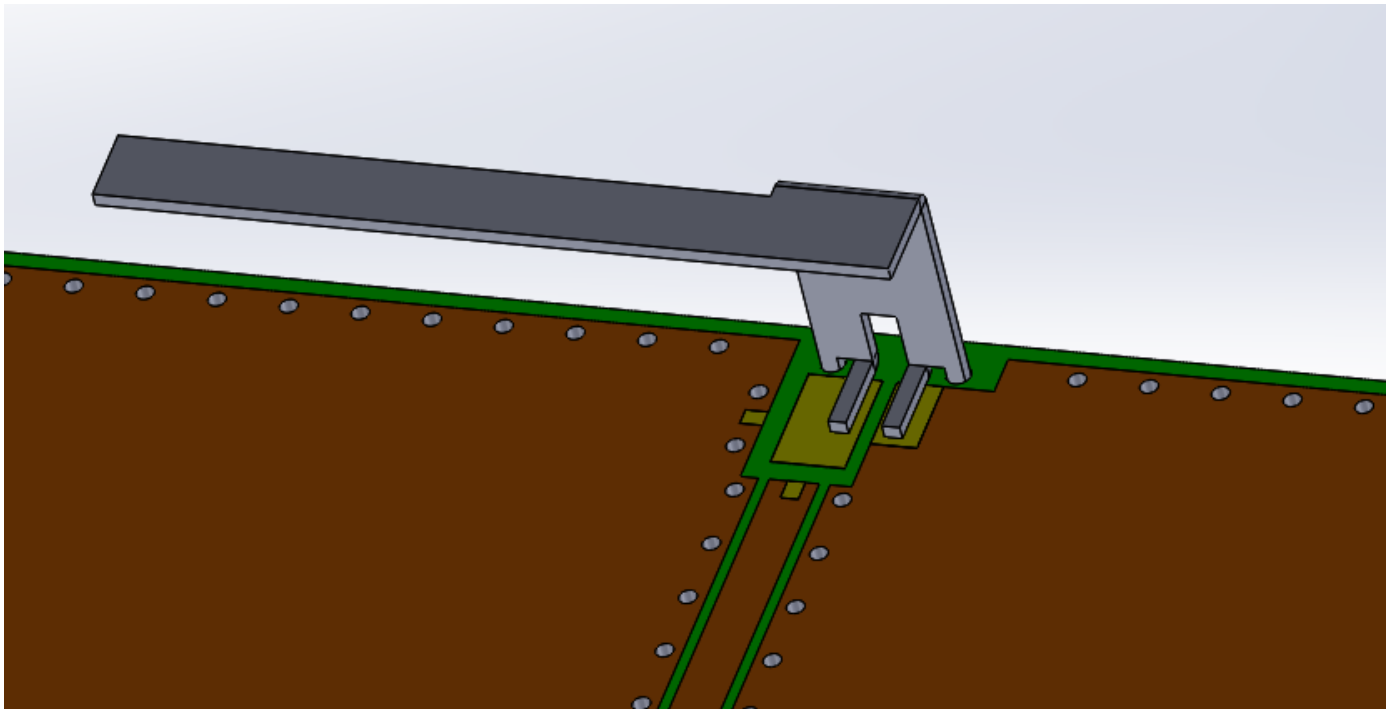
Series: Embedded Antenna

PART NUMBER: W3317

OTHER SPECIFICATIONS

ANTENNA MOUNTING ON PCB

5, Antenna on test PCB



Others:

1. This antenna is designed for manual or semi automated assembly.
2. While soldering of the antenna it is recommend to use process jig to keep the placement of the antenna stable.

Issue: 1649

In the effort to improve our products, we reserve the right to make changes judged to be necessary.

CONFIDENTIAL AND PROPRIETARY INFORMATION

This document contains confidential and proprietary information of Pulse Electronics, Inc. (Pulse) and is protected by copyright, trade secret and other state and federal laws. Its receipt or possession does not convey any rights to reproduce, disclose its contents, or to manufacture, use or sell anything it may describe. Reproduction, disclosure or use without specific written authorization of Pulse is strictly forbidden.

Downloaded From Oneyac.com

Description: 2.4-2.5GHz Sheet Metal PIFA

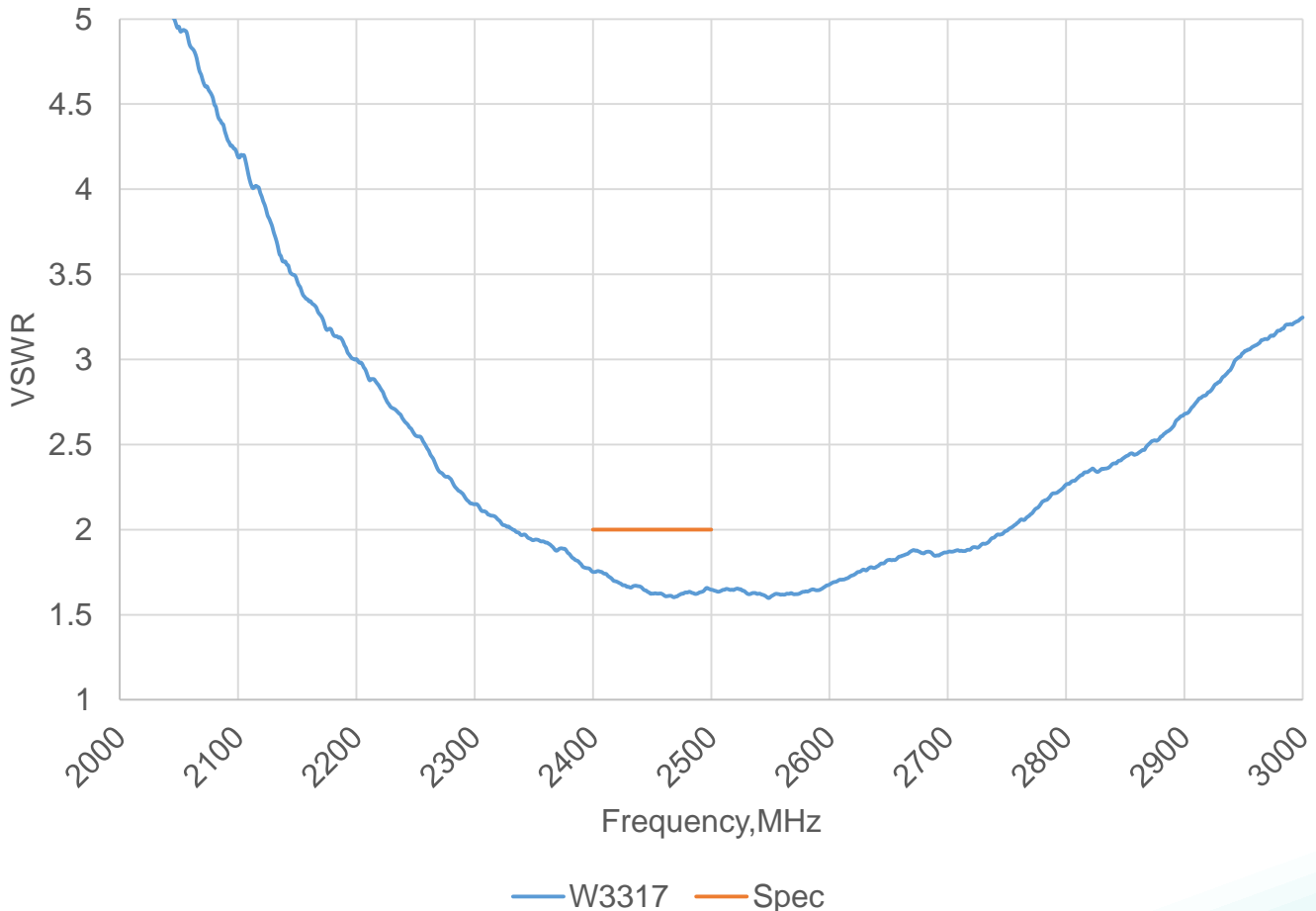
Series: Embedded Antenna

PART NUMBER: W3317

CHARTS

VSWR

VSWR vs Frequency measured with 100mm*100mm ground
W3317 measured at Pulse Suzhou



Issue: 1649

In the effort to improve our products, we reserve the right to make changes judged to be necessary.

CONFIDENTIAL AND PROPRIETARY INFORMATION

This document contains confidential and proprietary information of Pulse Electronics, Inc. (Pulse) and is protected by copyright, trade secret and other state and federal laws. Its receipt or possession does not convey any rights to reproduce, disclose its contents, or to manufacture, use or sell anything it may describe. Reproduction, disclosure or use without specific written authorization of Pulse is strictly forbidden.

Description: 2.4-2.5GHz Sheet Metal PIFA

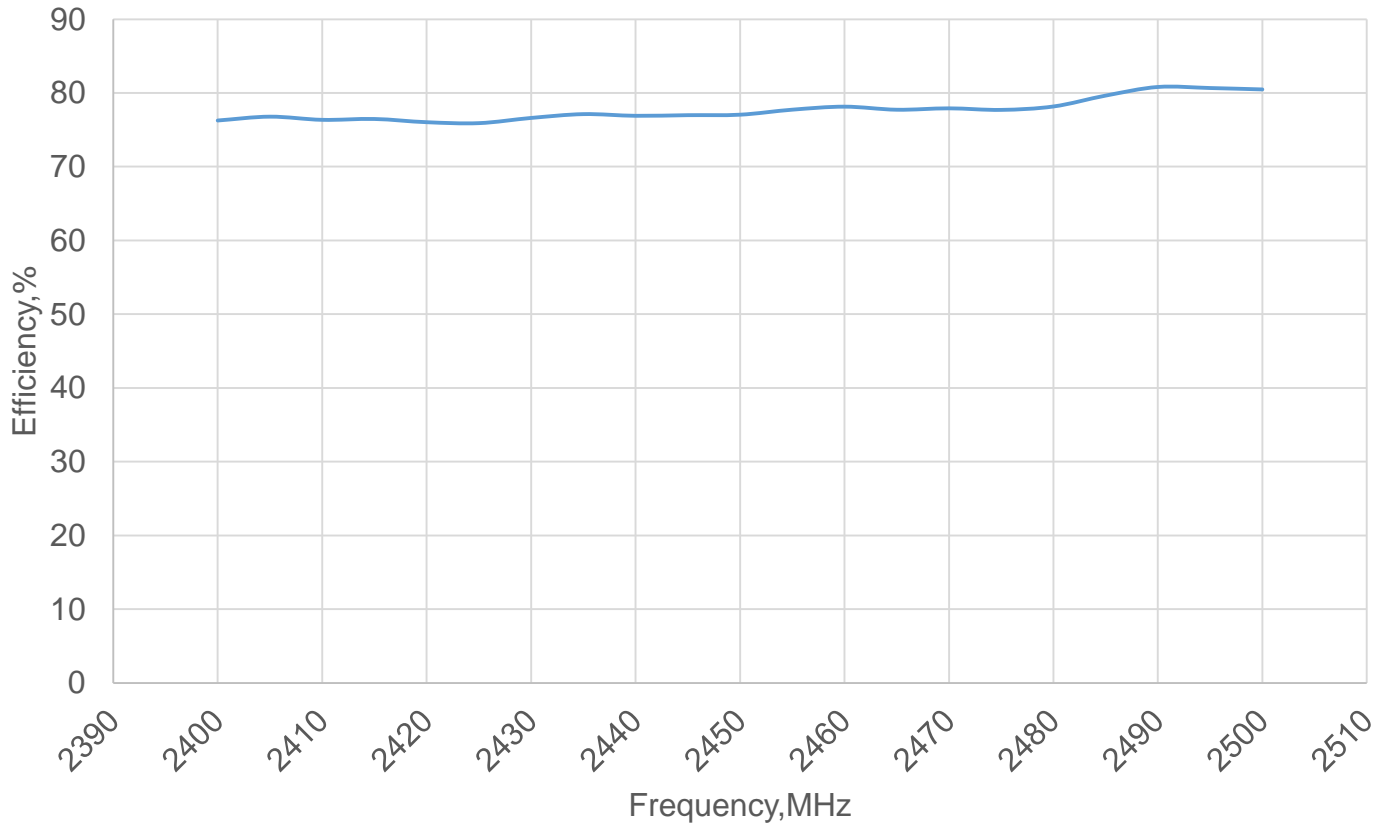
Series: Embedded Antenna

PART NUMBER: W3317

CHARTS

Efficiency

Efficiency vs Frequency measured with 100mm*100mm ground
W3317 measured at Pulse Suzhou



Issue: 1649

In the effort to improve our products, we reserve the right to make changes judged to be necessary.

CONFIDENTIAL AND PROPRIETARY INFORMATION

This document contains confidential and proprietary information of Pulse Electronics, Inc. (Pulse) and is protected by copyright, trade secret and other state and federal laws. Its receipt or possession does not convey any rights to reproduce, disclose its contents, or to manufacture, use or sell anything it may describe. Reproduction, disclosure or use without specific written authorization of Pulse is strictly forbidden.

Downloaded From Oneyac.com



Description: 2.4-2.5GHz Sheet Metal PIFA

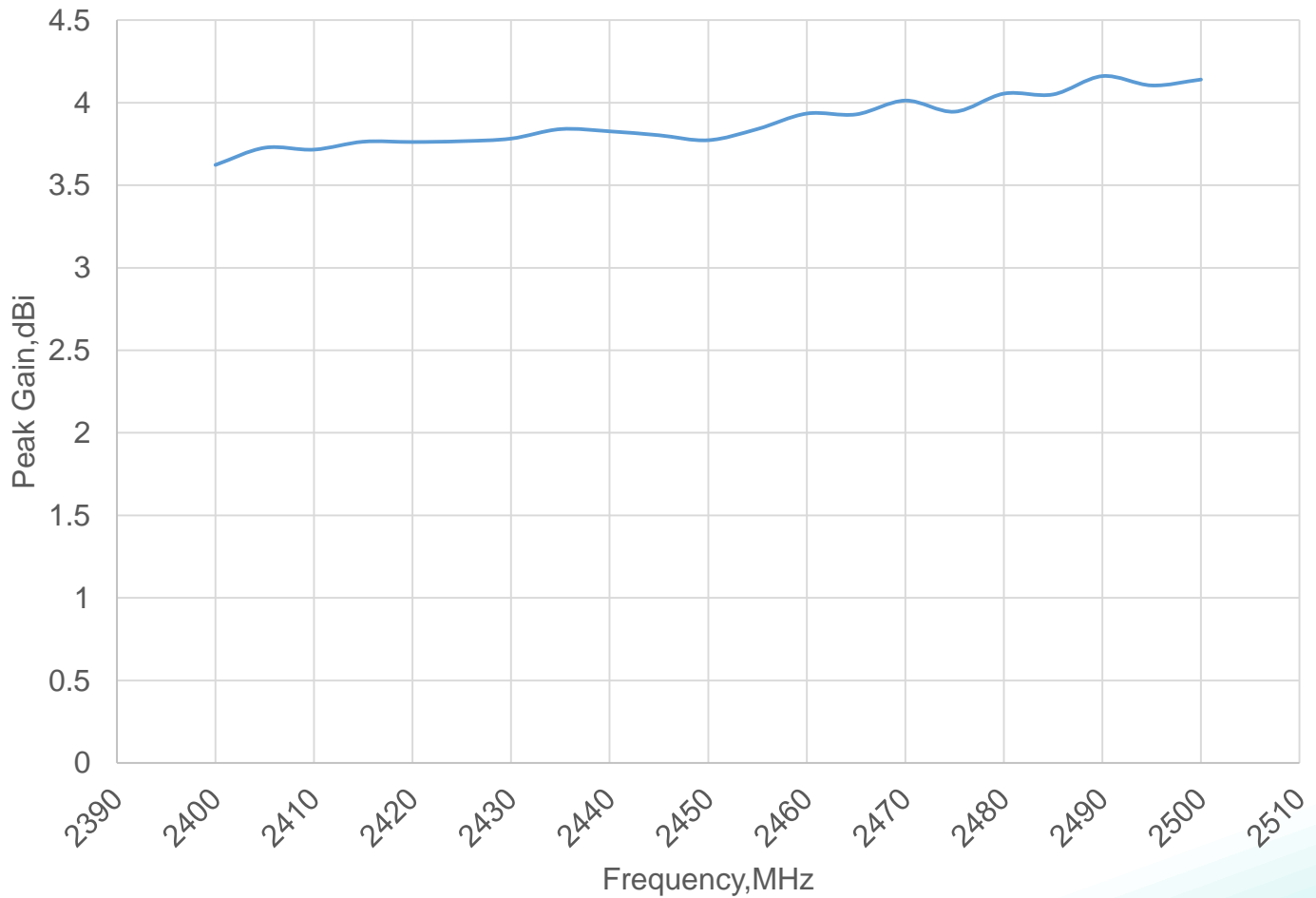
Series: Embedded Antenna

PART NUMBER: W3317

CHARTS

Peak Gain

Peak Gain vs Frequency measured with 100mm*100mm ground
W3317 measured at Pulse Suzhou



Issue: 1649

In the effort to improve our products, we reserve the right to make changes judged to be necessary.

CONFIDENTIAL AND PROPRIETARY INFORMATION

This document contains confidential and proprietary information of Pulse Electronics, Inc. (Pulse) and is protected by copyright, trade secret and other state and federal laws. Its receipt or possession does not convey any rights to reproduce, disclose its contents, or to manufacture, use or sell anything it may describe. Reproduction, disclosure or use without specific written authorization of Pulse is strictly forbidden.

Description: 2.4-2.5GHz Sheet Metal PIFA

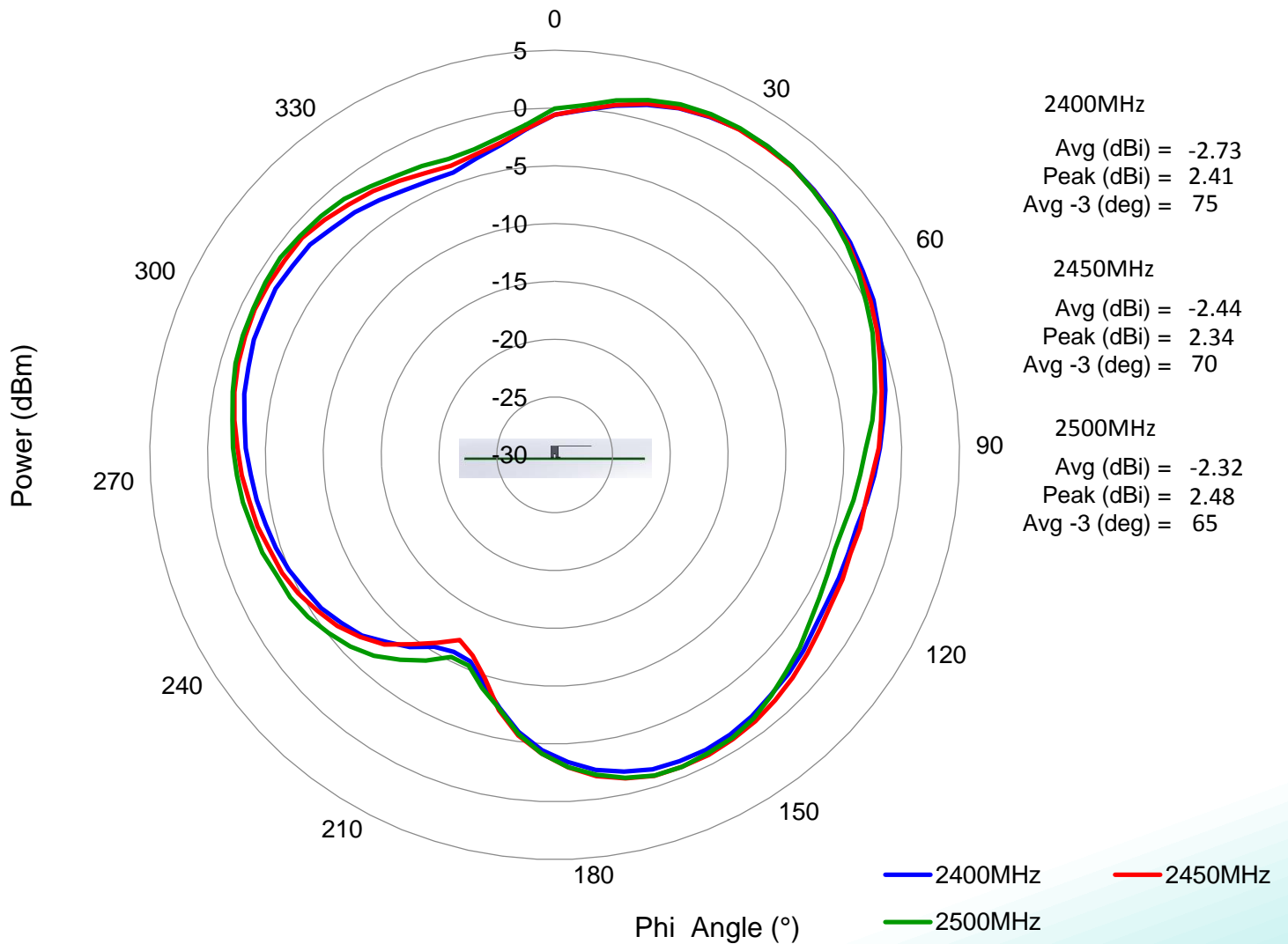
Series: Embedded Antenna

PART NUMBER: W3317

CHARTS

Gain plots

XY Plane



Issue: 1649

In the effort to improve our products, we reserve the right to make changes judged to be necessary.

CONFIDENTIAL AND PROPRIETARY INFORMATION

This document contains confidential and proprietary information of Pulse Electronics, Inc. (Pulse) and is protected by copyright, trade secret and other state and federal laws. Its receipt or possession does not convey any rights to reproduce, disclose its contents, or to manufacture, use or sell anything it may describe. Reproduction, disclosure or use without specific written authorization of Pulse is strictly forbidden.

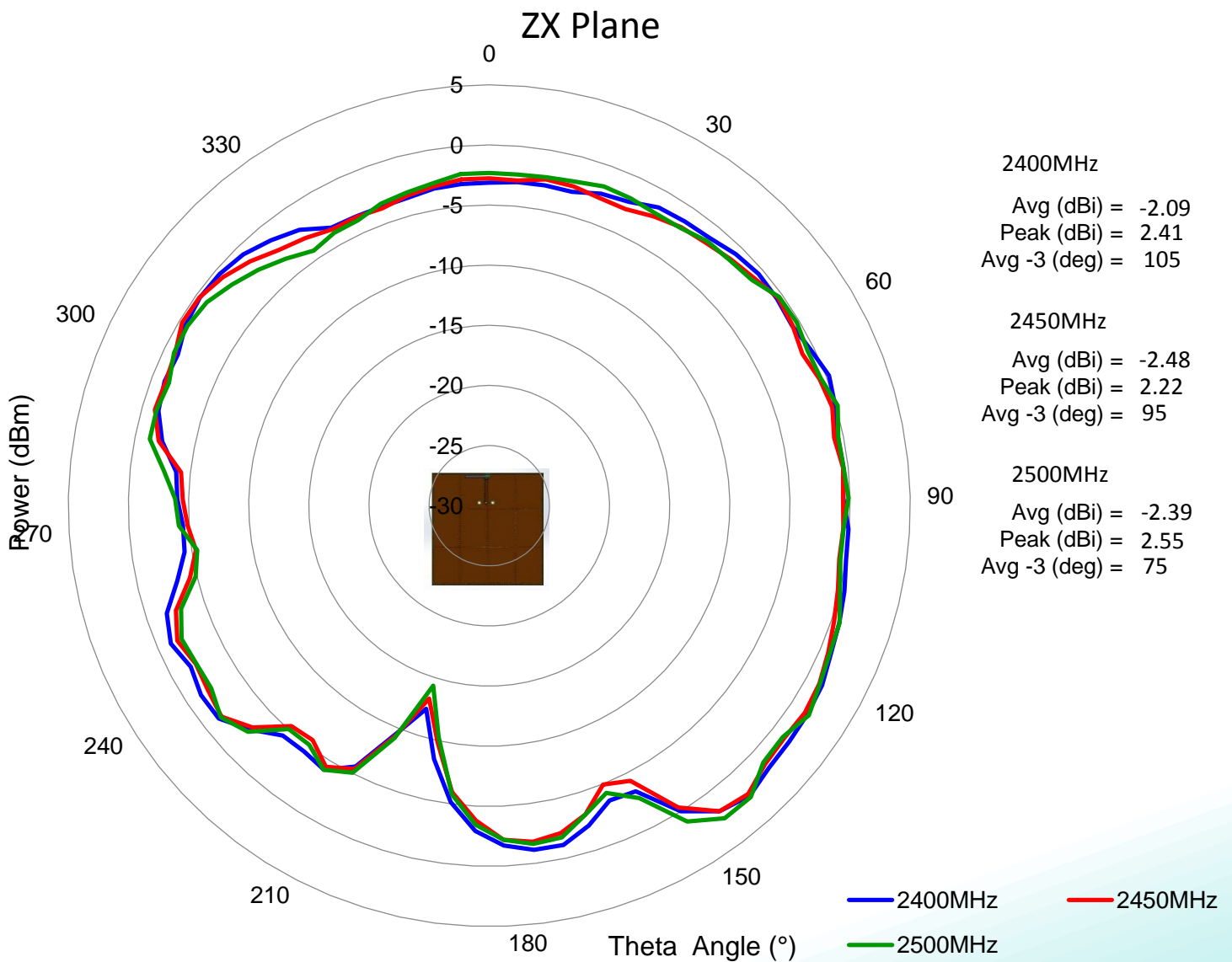
Description: 2.4-2.5GHz Sheet Metal PIFA

Series: Embedded Antenna

PART NUMBER: W3317

CHARTS

Gain plots



Issue: 1649

In the effort to improve our products, we reserve the right to make changes judged to be necessary.

CONFIDENTIAL AND PROPRIETARY INFORMATION

This document contains confidential and proprietary information of Pulse Electronics, Inc. (Pulse) and is protected by copyright, trade secret and other state and federal laws. Its receipt or possession does not convey any rights to reproduce, disclose its contents, or to manufacture, use or sell anything it may describe. Reproduction, disclosure or use without specific written authorization of Pulse is strictly forbidden.

Description: 2.4-2.5GHz Sheet Metal PIFA

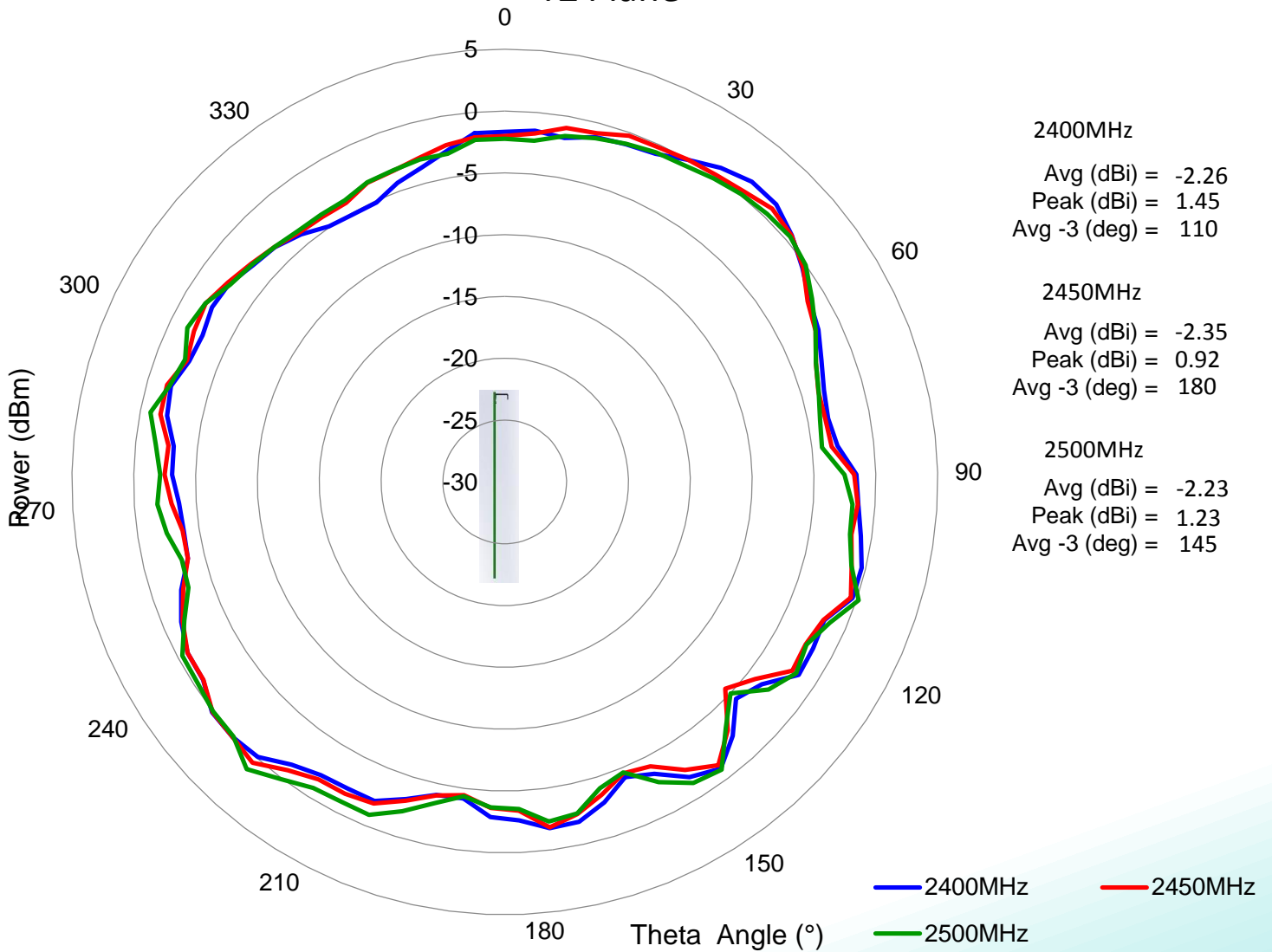
Series: Embedded Antenna

PART NUMBER: W3317

CHARTS

Gain plots

YZ Plane



Issue: 1649

In the effort to improve our products, we reserve the right to make changes judged to be necessary.

CONFIDENTIAL AND PROPRIETARY INFORMATION

This document contains confidential and proprietary information of Pulse Electronics, Inc. (Pulse) and is protected by copyright, trade secret and other state and federal laws. Its receipt or possession does not convey any rights to reproduce, disclose its contents, or to manufacture, use or sell anything it may describe. Reproduction, disclosure or use without specific written authorization of Pulse is strictly forbidden.

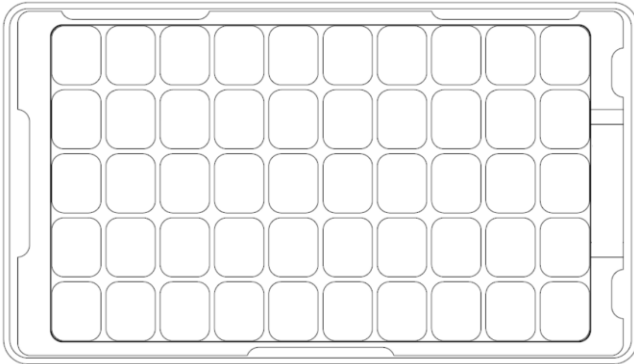
Description: 2.4-2.5GHz Sheet Metal PIFA

Series: Embedded Antenna

PART NUMBER: W3317

PACKAGING

Tray packing
50PCS/Tray
2000PCS/Carton box



Issue: 1649

In the effort to improve our products, we reserve the right to make changes judged to be necessary.

CONFIDENTIAL AND PROPRIETARY INFORMATION

This document contains confidential and proprietary information of Pulse Electronics, Inc. (Pulse) and is protected by copyright, trade secret and other state and federal laws. Its receipt or possession does not convey any rights to reproduce, disclose its contents, or to manufacture, use or sell anything it may describe. Reproduction, disclosure or use without specific written authorization of Pulse is strictly forbidden.

Downloaded From Oneyac.com

单击下面可查看定价，库存，交付和生命周期等信息

[>>Pulse\(普思\)](#)