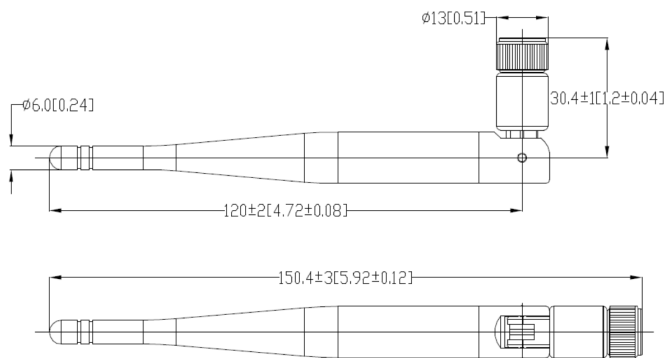


Description: Outdoor, dual WiFi, swivel, IP67, with RP-SMA

Series: Stick Antenna

PART NUMBER: W5098



All dimensions are in mm / inches

Issue: 2103

In the effort to improve our products, we reserve the right to make changes judged to be necessary.

CONFIDENTIAL AND PROPRIETARY INFORMATION

This document contains confidential and proprietary information of Pulse Electronics, Inc. (Pulse) and is protected by copyright, trade secret and other state and federal laws. Its receipt or possession does not convey any rights to reproduce, disclose its contents, or to manufacture, use or sell anything it may describe. Reproduction, disclosure or use without specific written authorization of Pulse is strictly forbidden.

For more information:

Pulse Worldwide Headquarters
15255 Innovation Drive #100
San Diego, CA 92128
USA
Tel: 1-858-674-8100

Pulse/Larsen Antennas
18110 SE 34th St Bldg 2 Suite 250
Vancouver, WA 98683
USA
Tel: 1-360-944-7551

Europe Headquarters
Pulse GmbH & Do, KG
Zeppelinstrasse 15
Herrenberg, Germany

Pulse (Suzhou) Wireless Products Co, Inc.
99 Huo Ju Road(#29 Bldg,4th Phase
Suzhou New District
Jiangsu Province, Suzhou 215009 PR China
Tel: 86 512 6807 9998

Features:

- Dual band Wifi stick antenna
- 2.4-2.5 / 5.0-7.125 GHz
- Omni directional for 360° coverage horizontal plane
- RoHS Compliant
- Gain 2.5 / 4 dBi
- IP67
- RP - SMA Swivel connector

Applications:

- Used in conjunction with WLAN devices using WiFi-6E (802.11a/b/g/n/x), Bluetooth and ZigBee
- In-building wireless access points (AP)
- Replacements for wireless routers
- Economical solution for OEMs with dual-band wireless devices.



Description: Outdoor, dual WiFi, swivel, IP67,
with RP-SMA

Series: Stick Antenna

PART NUMBER: W5098

ELECTRICAL SPECIFICATIONS

Frequency	2400-2500MHz & 5150-7.125MHz
Nominal Impedance	50Ω
VSWR	2.0 Max
Peak Gain (2400-2500MHz)	3.5dBi
Peak Gain (5150-5850MHz)	3.8dBi
Average efficiency(2400-2500MHz)	75%
Average efficiency(5150-5850MHz)	71%
Polarization:	linear

Description: Outdoor, dual WiFi, swivel, IP67,
with RP-SMA

Series: Stick Antenna

PART NUMBER: W5098

MECHANICAL SPECIFICATIONS

Antenna body	TPEE
Color	Black
Ingress Protection	IP67
Weight	17.3 g
Overall Length	5.92 INCHES
Connector type	RP-SMA

ENVIRONMENTAL SPECIFICATIONS

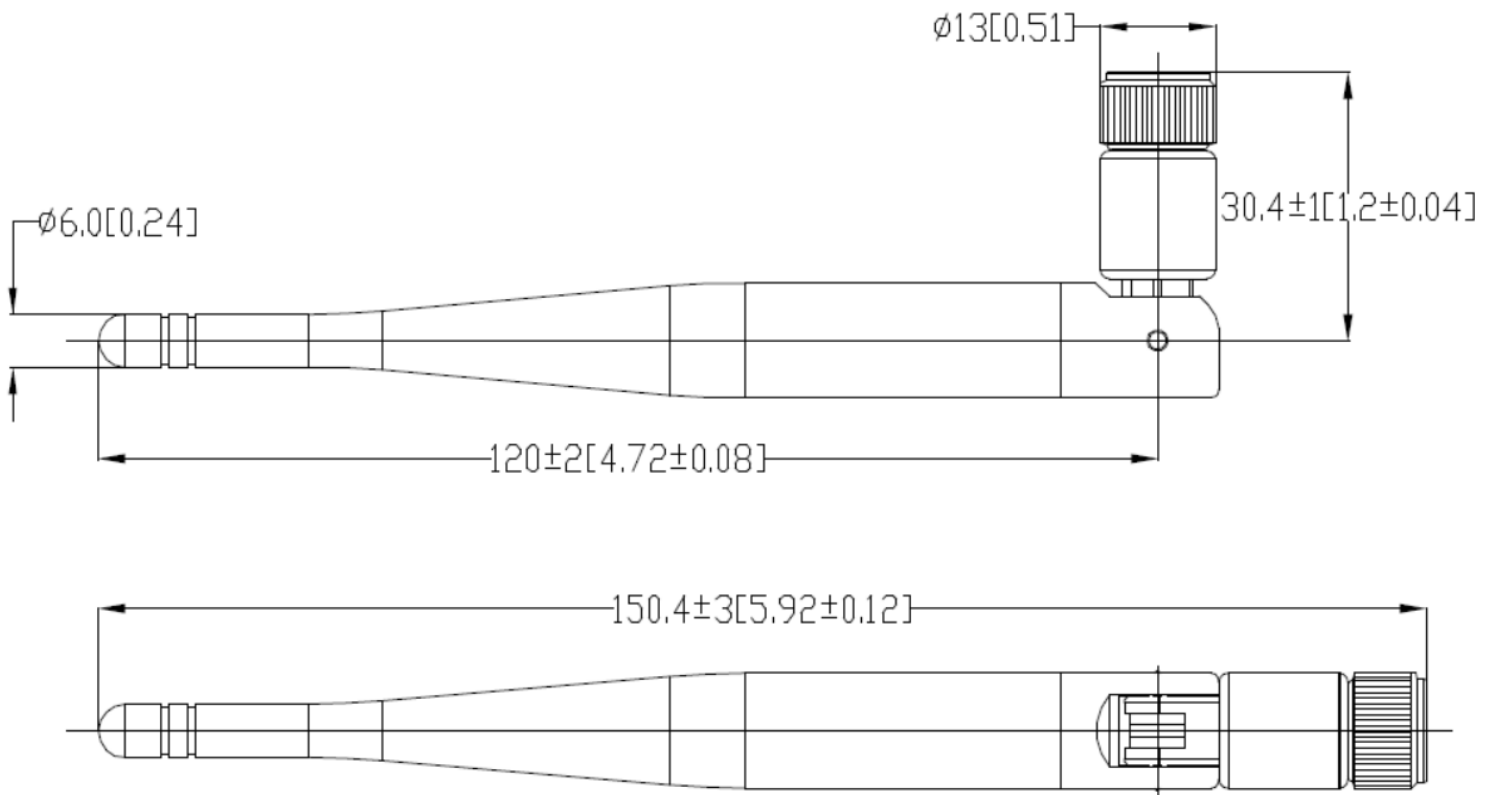
Operating temperature	-40/+85 ° C
-----------------------	-------------

Description: Outdoor, dual WiFi, swivel, IP67, with RP-SMA

Series: Stick Antenna

PART NUMBER: W5098

MECHANICAL DRAWING



Issue: 2103

In the effort to improve our products, we reserve the right to make changes judged to be necessary.

CONFIDENTIAL AND PROPRIETARY INFORMATION

This document contains confidential and proprietary information of Pulse Electronics, Inc. (Pulse) and is protected by copyright, trade secret and other state and federal laws. Its receipt or possession does not convey any rights to reproduce, disclose its contents, or to manufacture, use or sell anything it may describe. Reproduction, disclosure or use without specific written authorization of Pulse is strictly forbidden.

Downloaded From Oneyac.com

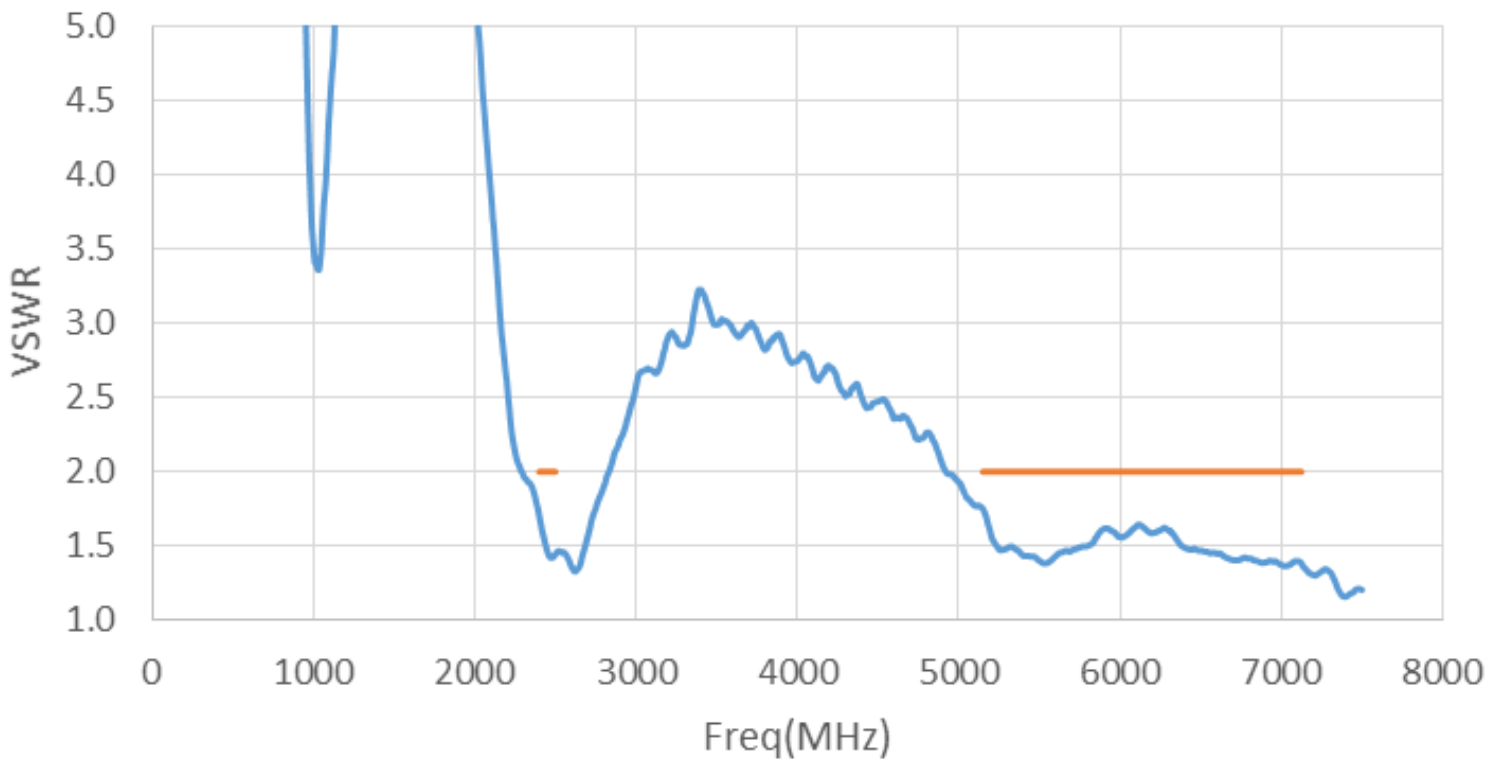
Description: Outdoor, dual WiFi, swivel, IP67, with RP-SMA

Series: Stick Antenna

PART NUMBER: W5098

CHARTS

VSWR measured in free space



Issue: 2103

In the effort to improve our products, we reserve the right to make changes judged to be necessary.

CONFIDENTIAL AND PROPRIETARY INFORMATION

This document contains confidential and proprietary information of Pulse Electronics, Inc. (Pulse) and is protected by copyright, trade secret and other state and federal laws. Its receipt or possession does not convey any rights to reproduce, disclose its contents, or to manufacture, use or sell anything it may describe. Reproduction, disclosure or use without specific written authorization of Pulse is strictly forbidden.

Downloaded From Oneyac.com

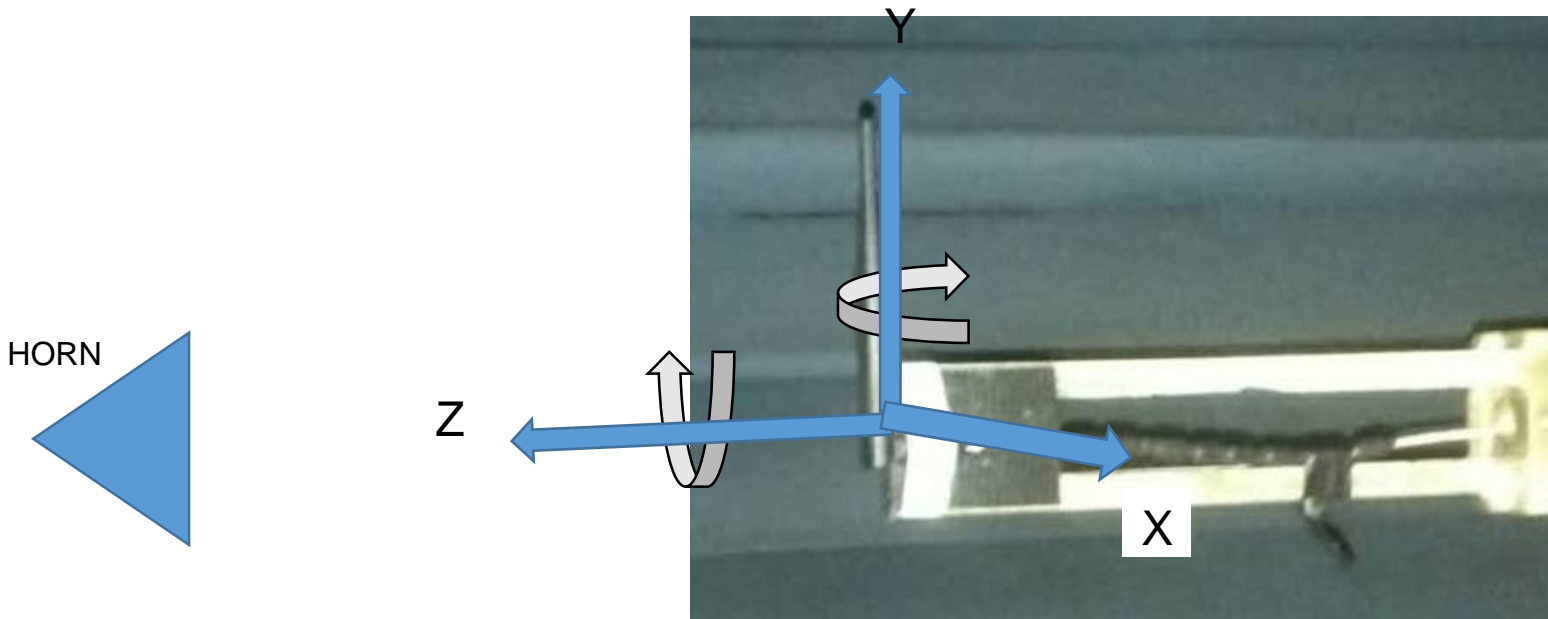
Description: Outdoor, dual WiFi, swivel, IP67, with RP-SMA

Series: Stick Antenna

PART NUMBER: W5098

CHARTS

Chamber set up



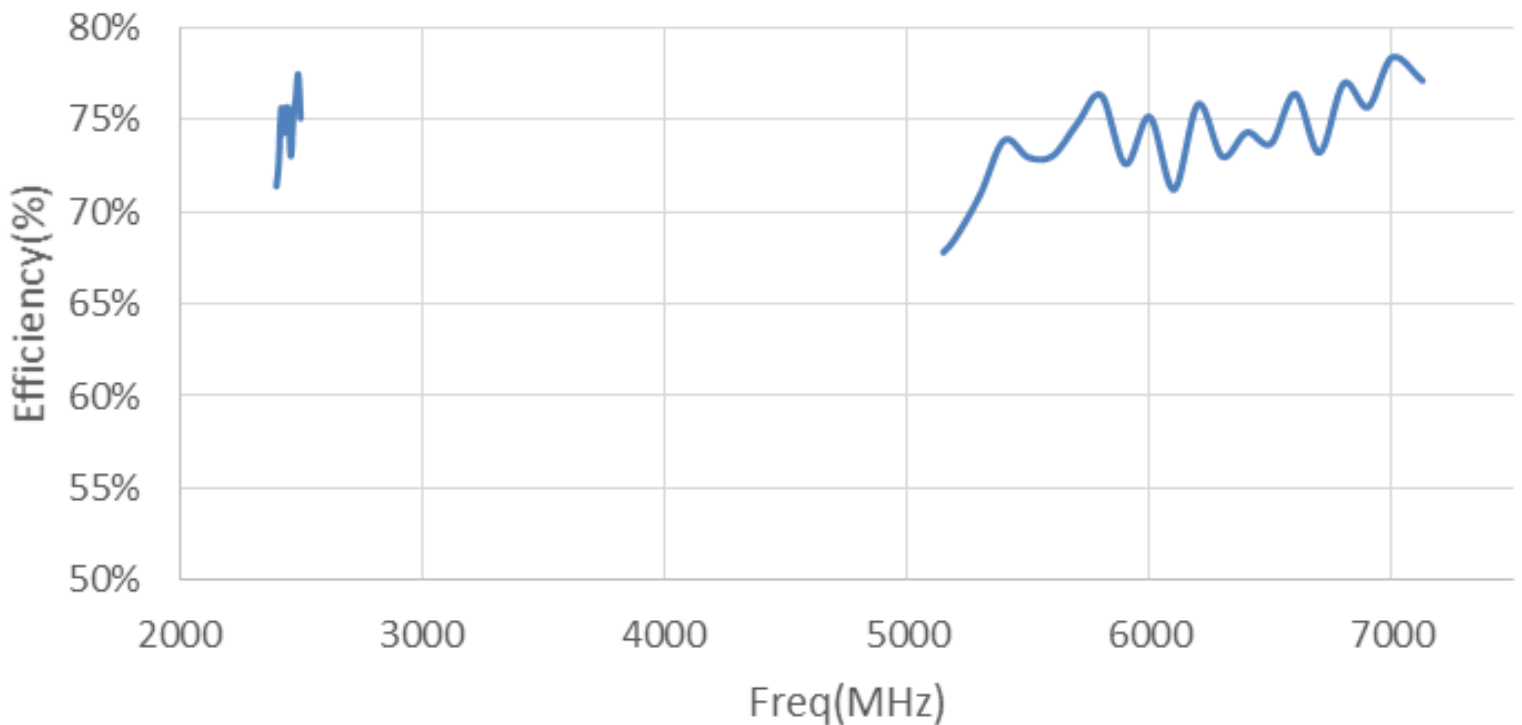
Description: Outdoor, dual WiFi, swivel, IP67, with RP-SMA

Series: Stick Antenna

PART NUMBER: W5098

CHARTS

Efficiency measured in free space right angle



Issue: 2103

In the effort to improve our products, we reserve the right to make changes judged to be necessary.

CONFIDENTIAL AND PROPRIETARY INFORMATION

This document contains confidential and proprietary information of Pulse Electronics, Inc. (Pulse) and is protected by copyright, trade secret and other state and federal laws. Its receipt or possession does not convey any rights to reproduce, disclose its contents, or to manufacture, use or sell anything it may describe. Reproduction, disclosure or use without specific written authorization of Pulse is strictly forbidden.

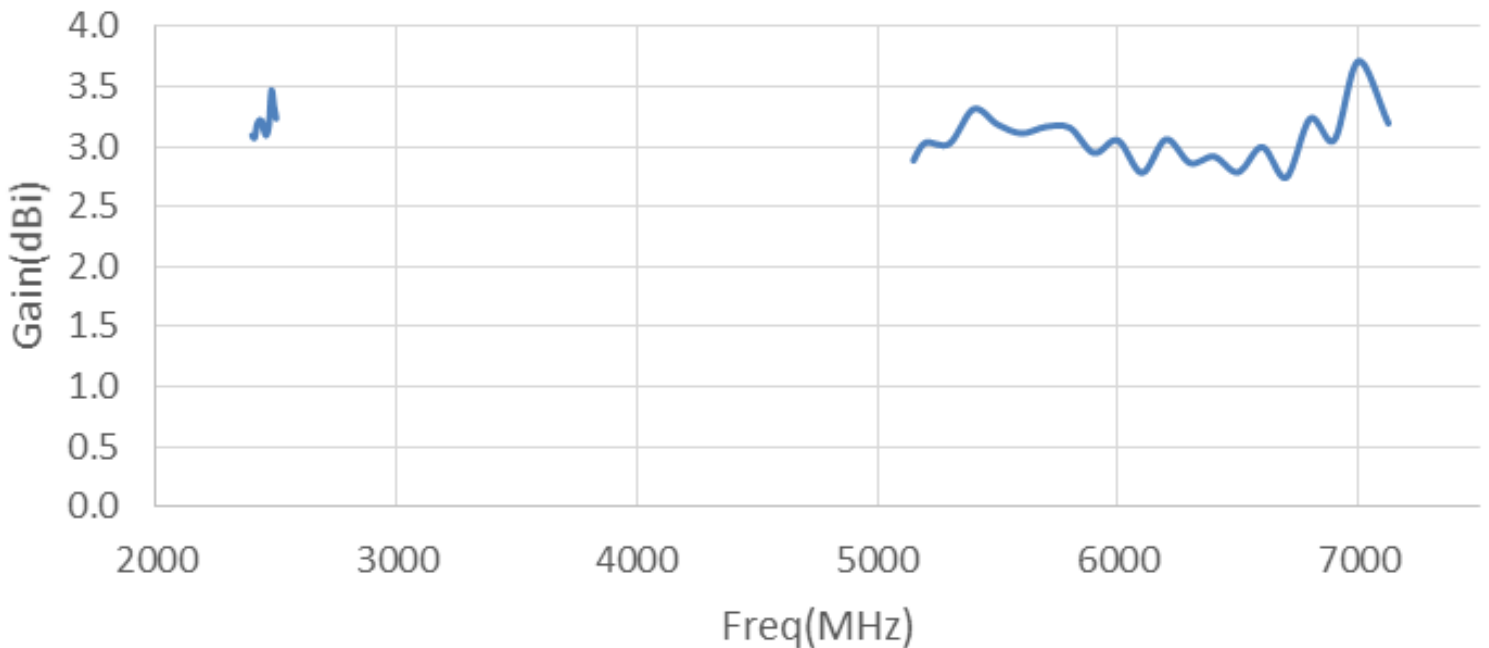
Description: Outdoor, dual WiFi, swivel, IP67, with RP-SMA

Series: Stick Antenna

PART NUMBER: W5098

CHARTS

Peak Gain measured in free space right angle



Issue: 2103

In the effort to improve our products, we reserve the right to make changes judged to be necessary.

CONFIDENTIAL AND PROPRIETARY INFORMATION

This document contains confidential and proprietary information of Pulse Electronics, Inc. (Pulse) and is protected by copyright, trade secret and other state and federal laws. Its receipt or possession does not convey any rights to reproduce, disclose its contents, or to manufacture, use or sell anything it may describe. Reproduction, disclosure or use without specific written authorization of Pulse is strictly forbidden.

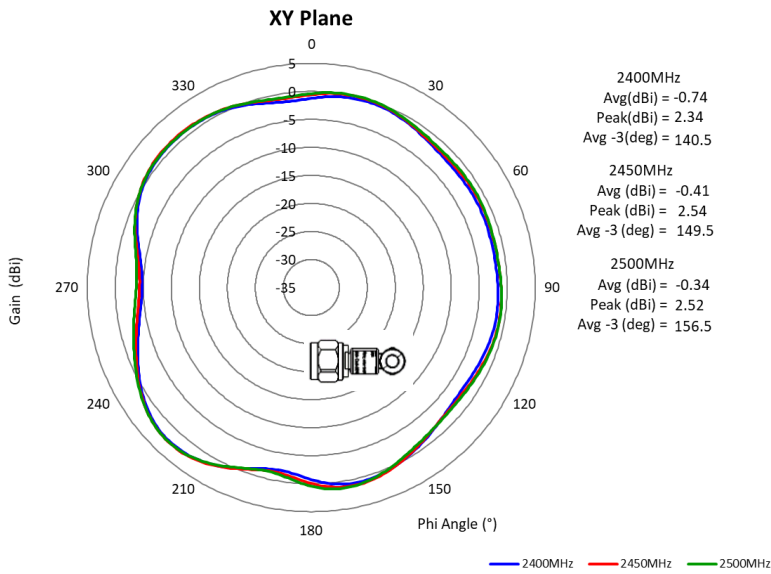
Description: Outdoor, dual WiFi, swivel, IP67, with RP-SMA

Series: Stick Antenna

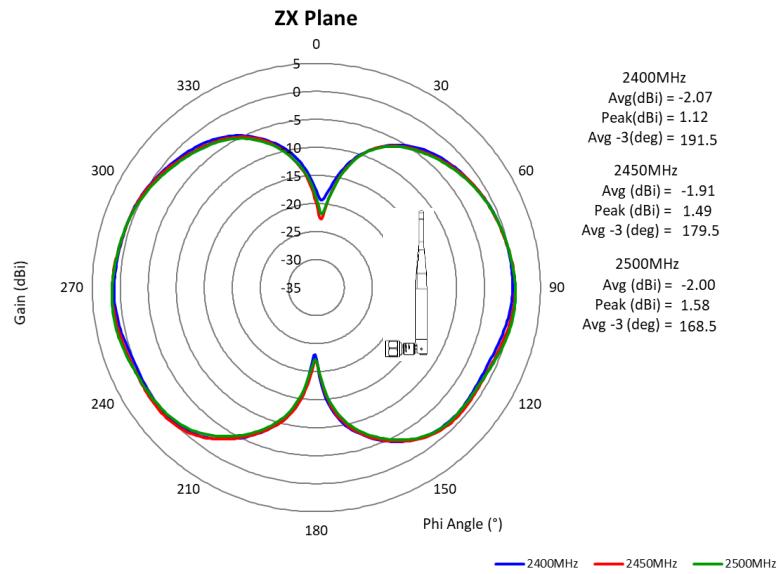
PART NUMBER: W5098

CHARTS

Horizontal Plane



Vertical Plane



Issue: 2103

In the effort to improve our products, we reserve the right to make changes judged to be necessary.

CONFIDENTIAL AND PROPRIETARY INFORMATION

This document contains confidential and proprietary information of Pulse Electronics, Inc. (Pulse) and is protected by copyright, trade secret and other state and federal laws. Its receipt or possession does not convey any rights to reproduce, disclose its contents, or to manufacture, use or sell anything it may describe. Reproduction, disclosure or use without specific written authorization of Pulse is strictly forbidden.

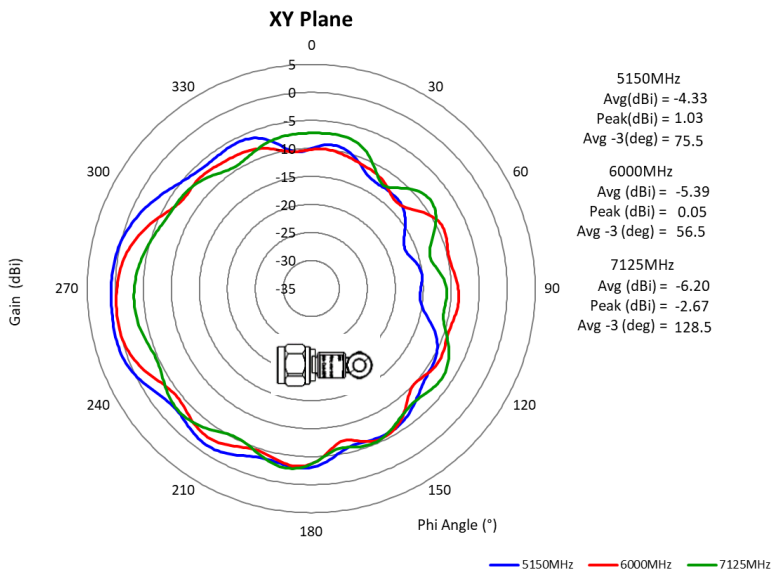
Description: Outdoor, dual WiFi, swivel, IP67, with RP-SMA

Series: Stick Antenna

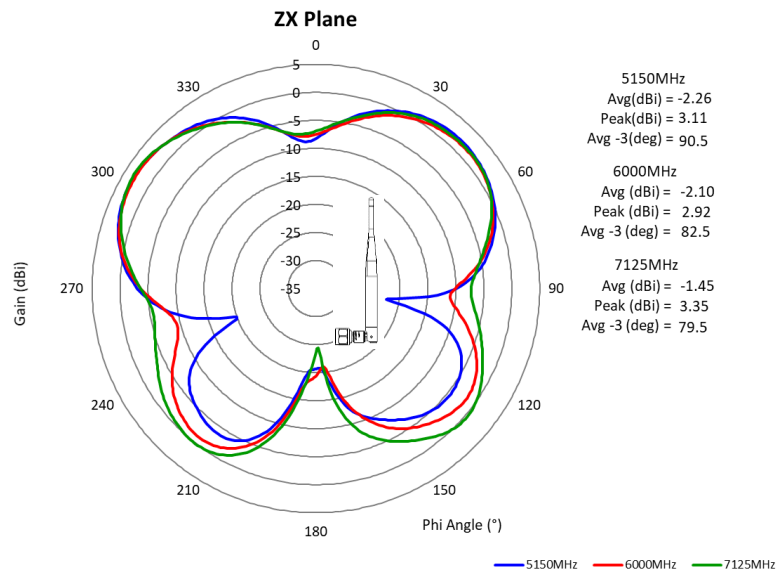
PART NUMBER: W5098

CHARTS

Horizontal Plane



Vertical Plane



Issue: 2103

In the effort to improve our products, we reserve the right to make changes judged to be necessary.

CONFIDENTIAL AND PROPRIETARY INFORMATION

This document contains confidential and proprietary information of Pulse Electronics, Inc. (Pulse) and is protected by copyright, trade secret and other state and federal laws. Its receipt or possession does not convey any rights to reproduce, disclose its contents, or to manufacture, use or sell anything it may describe. Reproduction, disclosure or use without specific written authorization of Pulse is strictly forbidden.

Description: Outdoor, dual WiFi, swivel, IP67,
with RP-SMA

Series: Stick Antenna

PART NUMBER: W5098

PACKAGING

10PCS/Bullet PE bag
500PCS/Carton Box

单击下面可查看定价，库存，交付和生命周期等信息

[>>Pulse\(普思\)](#)