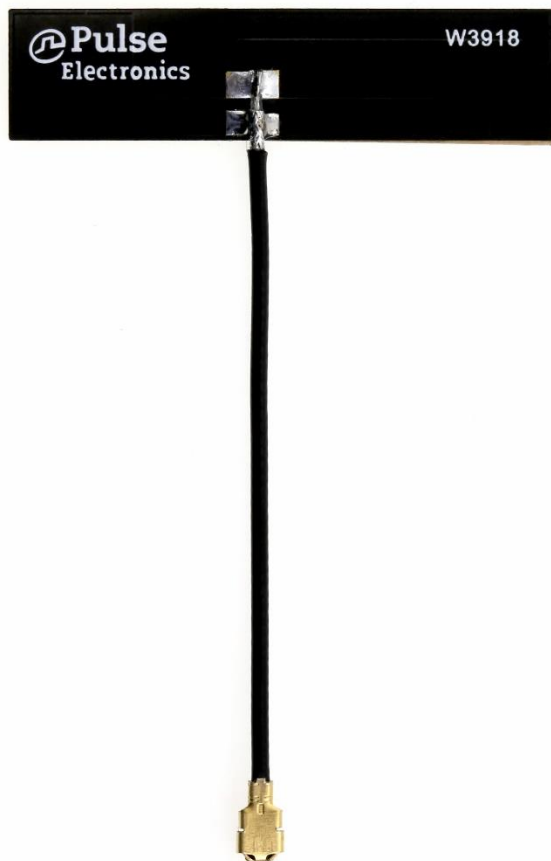


Description: 2.4/5GHz FPC antenna

Series: Internal Antenna

PART NUMBER: W3918XXXX



### Features:

- 2400-2500 / 4900-5925 MHz
- Size 35.2 X 8.5 X 0.15 mm
- Efficiency > 60/70%
- VSWR < 2
- Nominal impedance 50  $\Omega$
- Cable and connector can be customized

### Applications:

- WiFi, Bluetooth, BLE, ZigBee
- DSRC
- ISM band radios
- IoT, M2M

All dimensions are in mm / inches

Issue: 1714

In the effort to improve our products, we reserve the right to make changes judged to be necessary.

CONFIDENTIAL AND PROPRIETARY INFORMATION

This document contains confidential and proprietary information of Pulse Electronics, Inc. (Pulse) and is protected by copyright, trade secret and other state and federal laws. Its receipt or possession does not convey any rights to reproduce, disclose its contents, or to manufacture, use or sell anything it may describe. Reproduction, disclosure or use without specific written authorization of Pulse is strictly forbidden.

For more information:

Pulse Worldwide Headquarters  
15255 Innovation Drive #100  
San Diego, CA 92128  
USA  
Tel: 1-858-674-8100

Pulse/Larsen Antennas  
18110 SE 34<sup>th</sup> St Bldg 2 Suite 250  
Vancouver, WA 98683  
USA  
Tel: 1-360-944-7551

Europe Headquarters  
Pulse GmbH & Do, KG  
Zeppelinstrasse 15  
Herrenberg, Germany

Pulse (Suzhou) Wireless Products Co, Inc.  
99 Huo Ju Road(#29 Bldg,4<sup>th</sup> Phase  
Suzhou New District  
Jiangsu Province, Suzhou 215009 PR China  
Tel: 86 512 6807 9998

Description: 2.4/5GHz FPC antenna

Series: Internal Antenna

PART NUMBER: W3918XXXX

This document covers all product variants of the following product family:

W3918B0050	50mm 1.13mm OD cable	U.FL compatible connector
W3918B0100	100mm 1.13mm OD cable	U.FL compatible connector
W3918T0050	50mm 1.13mm OD cable	RP-SMA MALE, straight connector

Issue: 1714

In the effort to improve our products, we reserve the right to make changes judged to be necessary.

CONFIDENTIAL AND PROPRIETARY INFORMATION

This document contains confidential and proprietary information of Pulse Electronics, Inc. (Pulse) and is protected by copyright, trade secret and other state and federal laws. Its receipt or possession does not convey any rights to reproduce, disclose its contents, or to manufacture, use or sell anything it may describe. Reproduction, disclosure or use without specific written authorization of Pulse is strictly forbidden.

For more information:

Pulse Worldwide Headquarters  
15255 Innovation Drive #100  
San Diego, CA 92128  
USA  
Tel:1-858-674-8100

Pulse/Larsen Antennas  
18110 SE 34<sup>th</sup> St Bldg 2 Suite 250  
Vancouver, WA 98683  
USA  
Tel: 1-360-944-7551

Europe Headquarters  
Pulse GmbH & Do, KG  
Zeppelinstrasse 15  
Herrenberg, Germany

Pulse (Suzhou) Wireless Products Co, Inc.  
99 Huo Ju Road(#29 Bldg,4<sup>th</sup> Phase  
Suzhou New District  
Jiangsu Province, Suzhou 215009 PR China  
Tel: 86 512 6807 9998

Description: 2.4/5GHz FPC antenna

Series: Internal Antenna

PART NUMBER: W3918XXXX

### ELECTRICAL SPECIFICATIONS

Frequency	2400-2500, 4900-5925MHz
Nominal Impedance	50Ω
VSWR	< 2
Gain	3dBi+/- 1dB @ 2.4GHz 4dBi+/-1dB@5GHz
Efficiency(%)	60/70%
Radiation Pattern	Omni
Polarization:	Linear
Power withstanding	2 W
Connector	Optional
Cable type	1.13mm coaxial cable black
Cable length	Optional

**(\* All RF parameters measured on 2mm thick PC plate**

**Description: 2.4/5GHz FPC antenna****Series: Internal Antenna****PART NUMBER: W3918XXXX****MECHANICAL SPECIFICATIONS**

Radiator material	FPC
Color	Black
Adhesive	3M467
Thickness(with adhesive, no liner)	0.15 mm
FPC size(L X W X T)	35.2 X 8.5 X 0.15 mm

**ENVIRONMENTAL SPECIFICATIONS**

Operating temperature	-40/+85 ° C
-----------------------	-------------

Issue: 1714

In the effort to improve our products, we reserve the right to make changes judged to be necessary.

CONFIDENTIAL AND PROPRIETARY INFORMATION

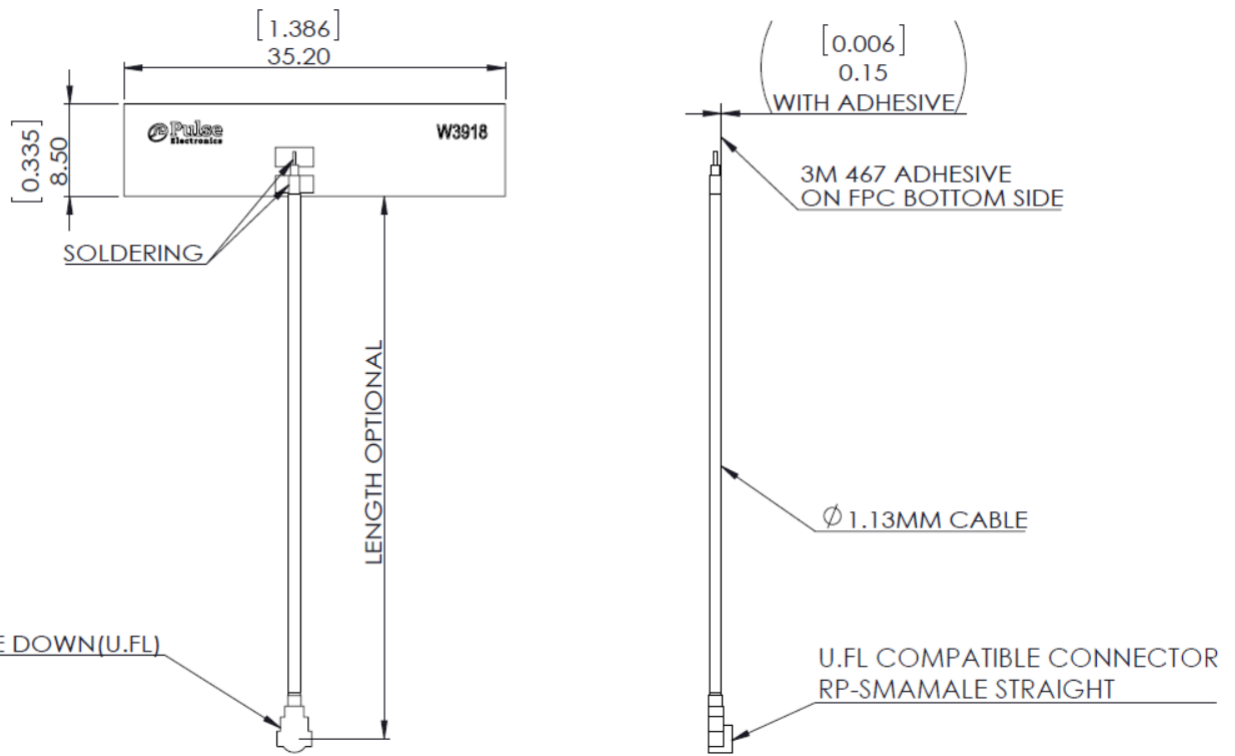
This document contains confidential and proprietary information of Pulse Electronics, Inc. (Pulse) and is protected by copyright, trade secret and other state and federal laws. Its receipt or possession does not convey any rights to reproduce, disclose its contents, or to manufacture, use or sell anything it may describe. Reproduction, disclosure or use without specific written authorization of Pulse is strictly forbidden. Downloaded From [Oneyac.com](https://www.oneyac.com)

Description: 2.4/5GHz FPC antenna

Series: Internal Antenna

PART NUMBER: W3918XXXX

MECHANICAL DRAWING



Issue: 1714

In the effort to improve our products, we reserve the right to make changes judged to be necessary.

CONFIDENTIAL AND PROPRIETARY INFORMATION

This document contains confidential and proprietary information of Pulse Electronics, Inc. (Pulse) and is protected by copyright, trade secret and other state and federal laws. Its receipt or possession does not convey any rights to reproduce, disclose its contents, or to manufacture, use or sell anything it may describe. Reproduction, disclosure or use without specific written authorization of Pulse is strictly forbidden.

Description: 2.4/5GHz FPC antenna

Series: Internal Antenna

PART NUMBER: W3918XXXX

CHARTS

(\* ) All RF parameters measured on 2mm thick PC plate



Issue: 1714

In the effort to improve our products, we reserve the right to make changes judged to be necessary.

CONFIDENTIAL AND PROPRIETARY INFORMATION

This document contains confidential and proprietary information of Pulse Electronics, Inc. (Pulse) and is protected by copyright, trade secret and other state and federal laws. Its receipt or possession does not convey any rights to reproduce, disclose its contents, or to manufacture, use or sell anything it may describe. Reproduction, disclosure or use without specific written authorization of Pulse is strictly forbidden.

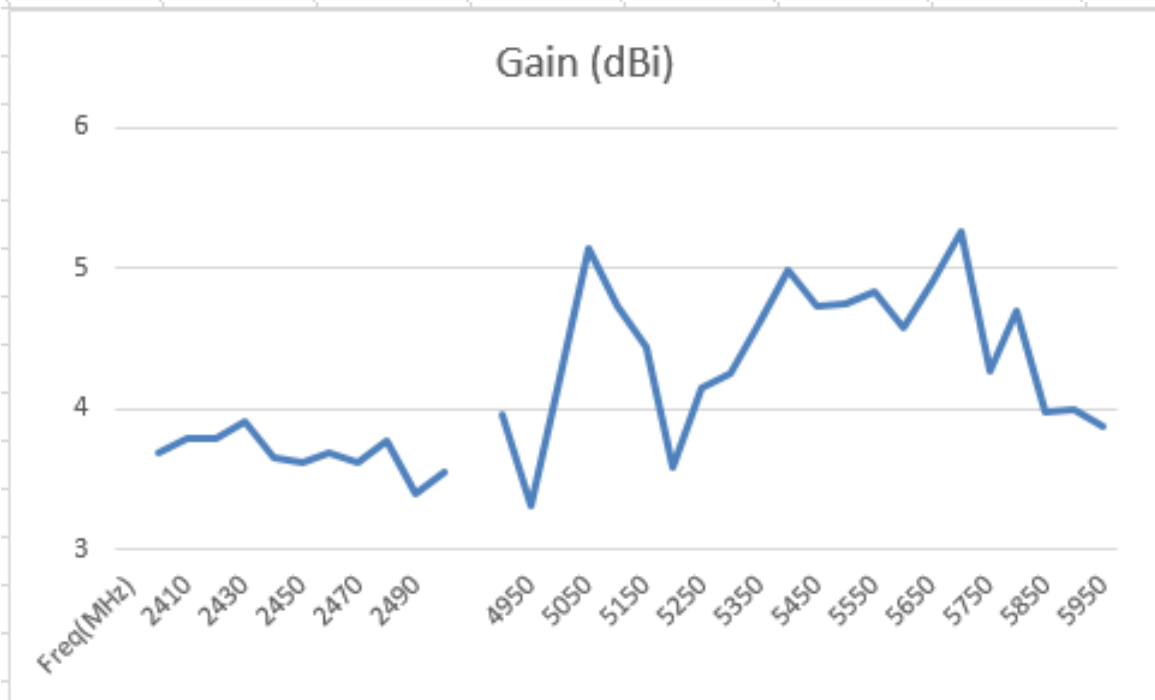
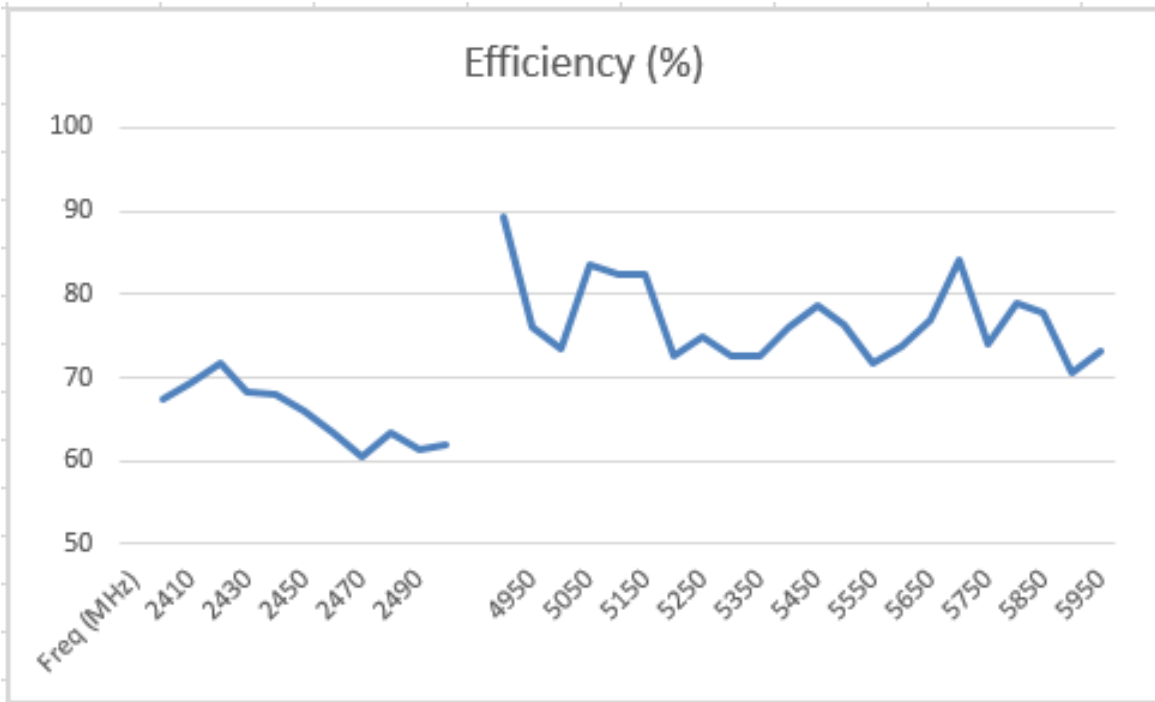
Description: 2.4/5GHz FPC antenna

Series: Internal Antenna

PART NUMBER: W3918XXXX

CHARTS

(\* All RF parameters measured on 2mm thick PC plate



Issue: 1714

In the effort to improve our products, we reserve the right to make changes judged to be necessary.

CONFIDENTIAL AND PROPRIETARY INFORMATION

This document contains confidential and proprietary information of Pulse Electronics, Inc. (Pulse) and is protected by copyright, trade secret and other state and federal laws. Its receipt or possession does not convey any rights to reproduce, disclose its contents, or to manufacture, use or sell anything it may describe. Reproduction, disclosure or use without specific written authorization of Pulse is strictly forbidden.

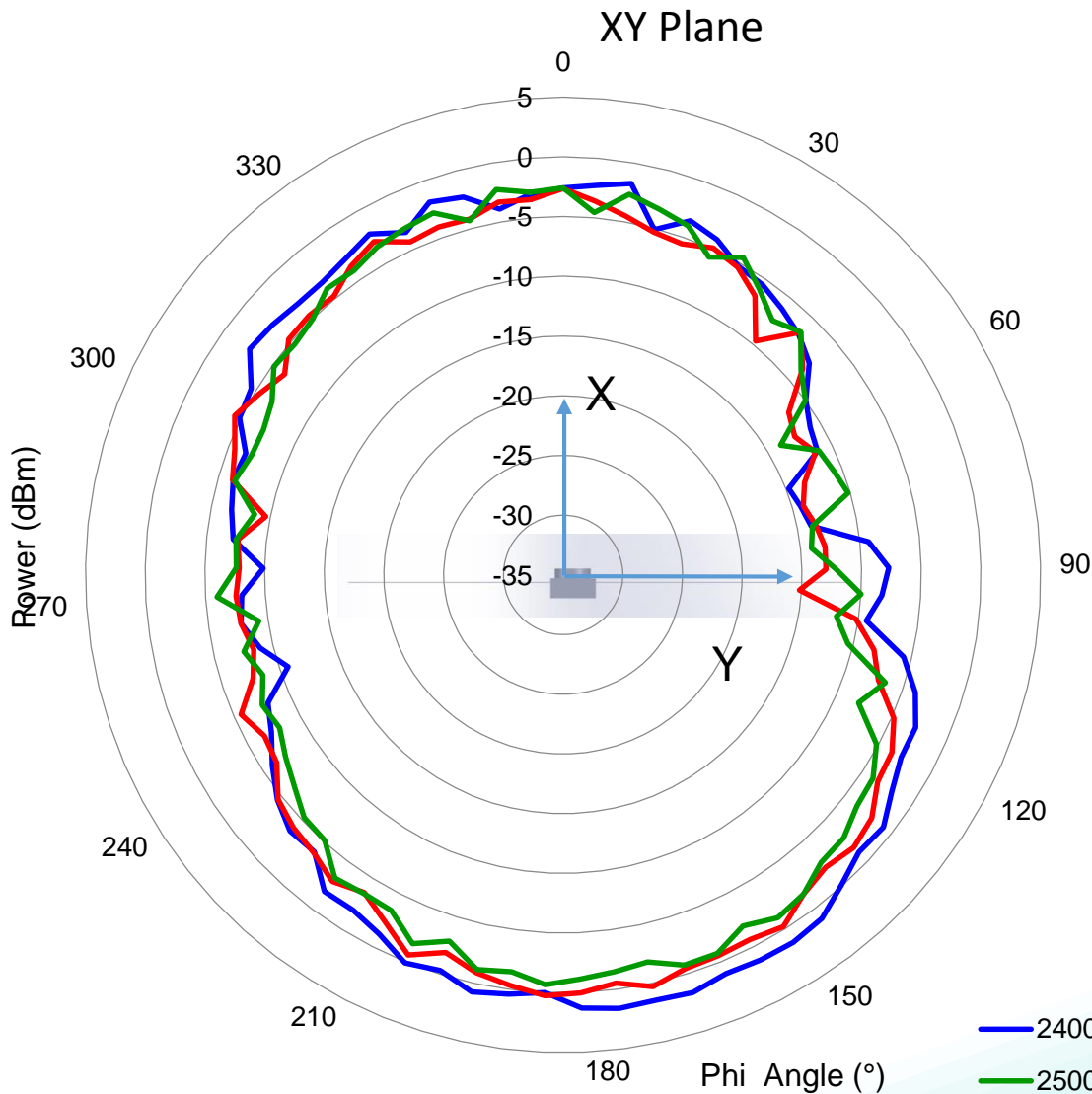
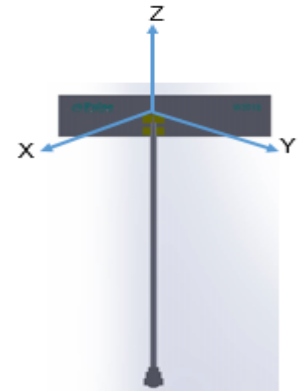
Description: 2.4/5GHz FPC antenna

Series: Internal Antenna

PART NUMBER: W3918XXXX

CHARTS

Typical free space radiation pattern  
WIFI2.4GHz  
*(\*) All RF parameters measured on 2mm thick PC plate*



2400MHz	Avg (dBi) = -4.37
	Peak (dBi) = 1.63
	Avg -3 (deg) = 80
2450MHz	Avg (dBi) = -5.41
	Peak (dBi) = 0.31
	Avg -3 (deg) = 55
2500MHz	Avg (dBi) = -5.61
	Peak (dBi) = -0.64
	Avg -3 (deg) = 125

— 2400MHz — 2450MHz  
— 2500MHz

Issue: 1714

In the effort to improve our products, we reserve the right to make changes judged to be necessary.

CONFIDENTIAL AND PROPRIETARY INFORMATION

This document contains confidential and proprietary information of Pulse Electronics, Inc. (Pulse) and is protected by copyright, trade secret and other state and federal laws. Its receipt or possession does not convey any rights to reproduce, disclose its contents, or to manufacture, use or sell anything it may describe. Reproduction, disclosure or use without specific written authorization of Pulse is strictly forbidden.



Description: 2.4/5GHz FPC antenna

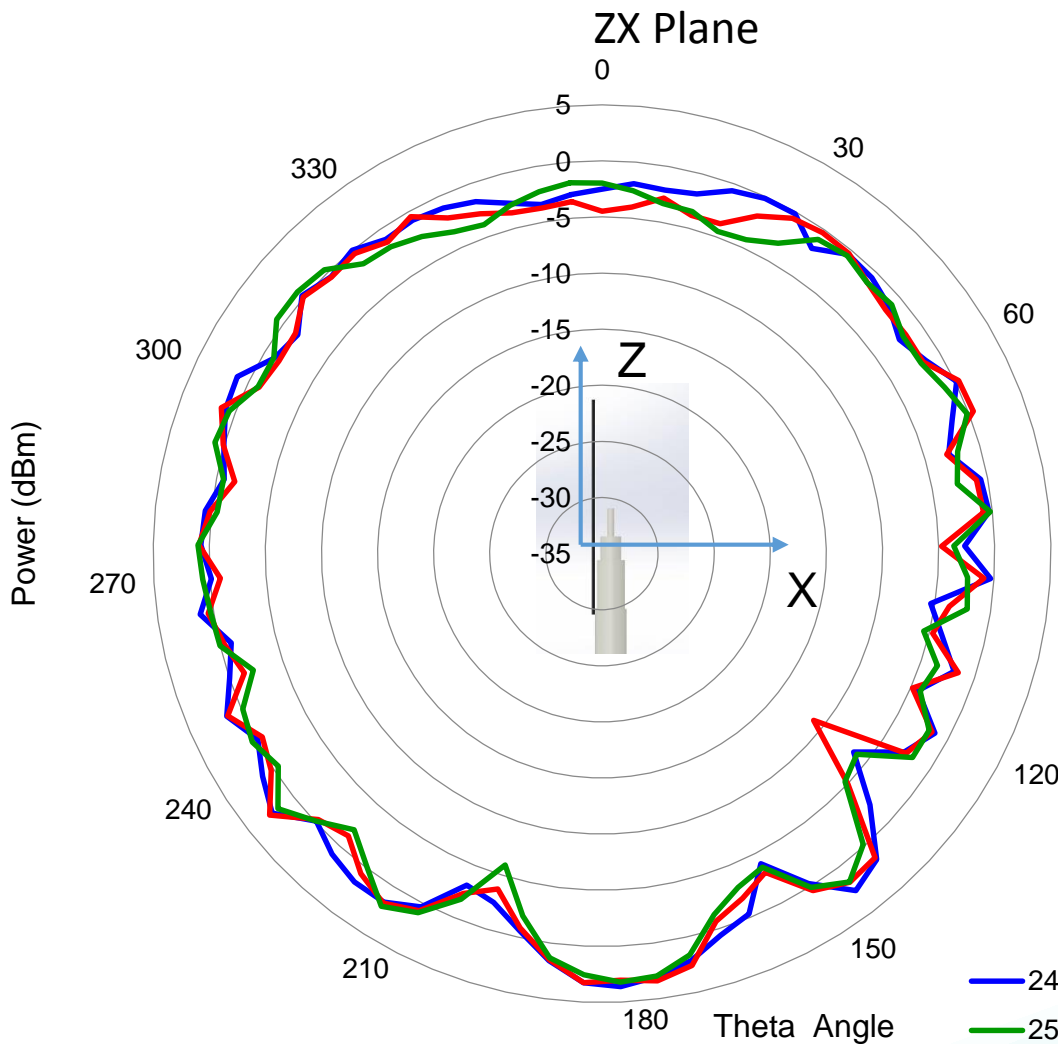
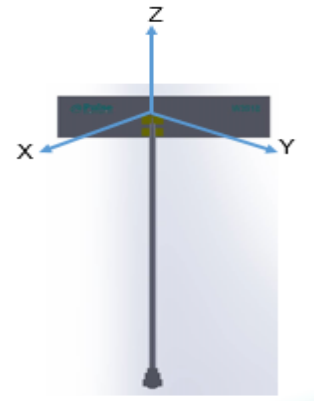
Series: Internal Antenna

PART NUMBER: W3918XXXX

CHARTS

Typical free space radiation pattern  
WIFI 2.4GHz

(\* All RF parameters measured on 2mm thick PC plate



2400MHz	Avg (dBi) = -0.69
	Peak (dBi) = 3.61
	Avg -3 (deg) = 42.5
2450MHz	Avg (dBi) = -1.18
	Peak (dBi) = 3.38
	Avg -3 (deg) = 40
2500MHz	Avg (dBi) = -1.31
	Peak (dBi) = 3.22
	Avg -3 (deg) = 42.5

— 2400MHz — 2450MHz  
— 2500MHz

Issue: 1714

In the effort to improve our products, we reserve the right to make changes judged to be necessary.

CONFIDENTIAL AND PROPRIETARY INFORMATION

This document contains confidential and proprietary information of Pulse Electronics, Inc. (Pulse) and is protected by copyright, trade secret and other state and federal laws. Its receipt or possession does not convey any rights to reproduce, disclose its contents, or to manufacture, use or sell anything it may describe. Reproduction, disclosure or use without specific written authorization of Pulse is strictly forbidden.

Description: 2.4/5GHz FPC antenna

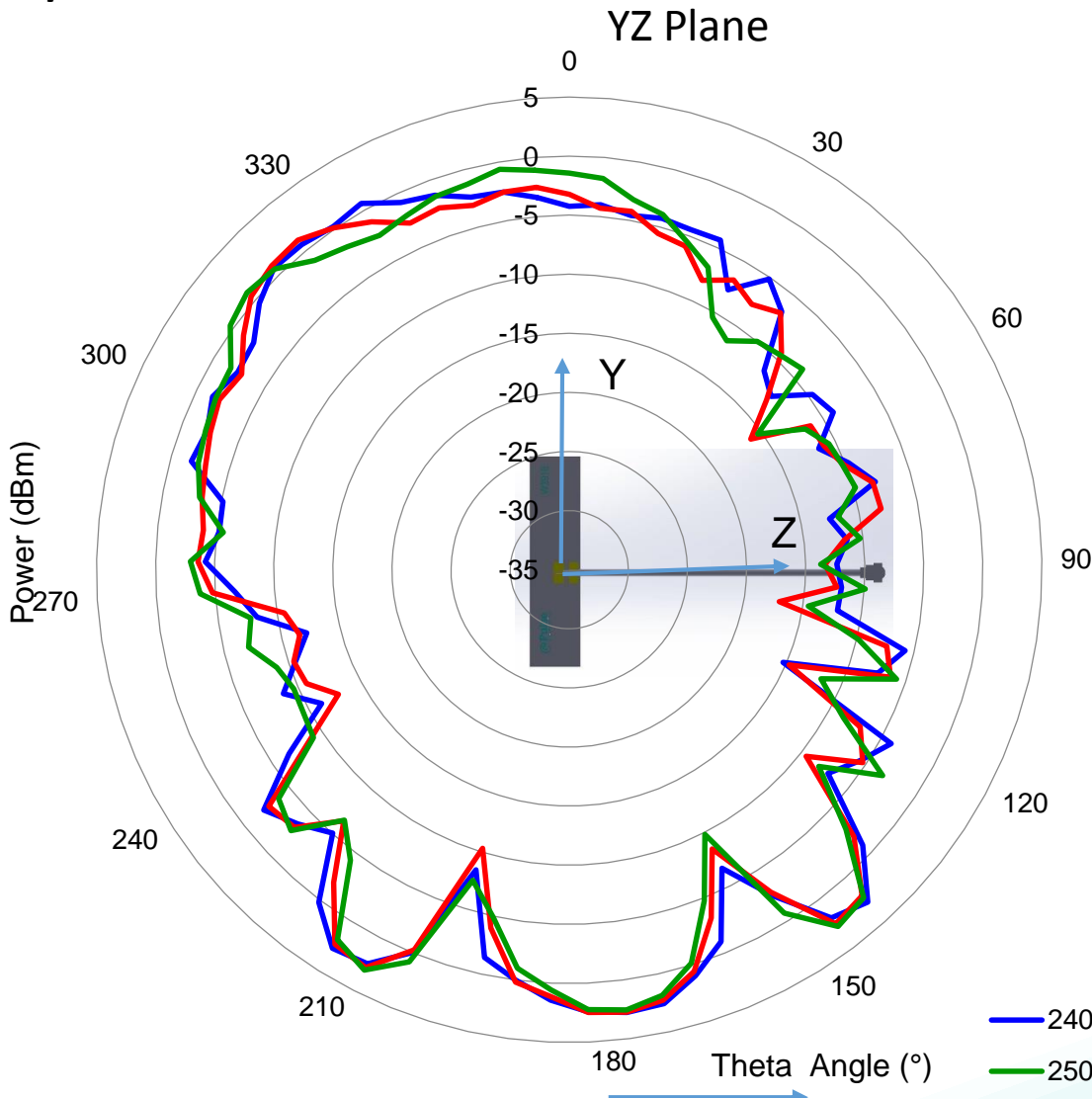
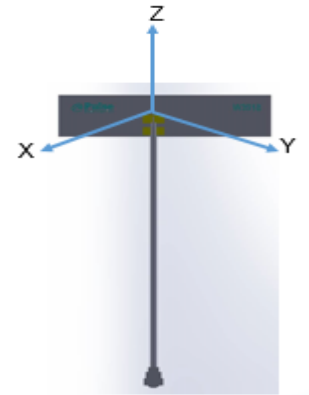
Series: Internal Antenna

PART NUMBER: W3918XXXX

CHARTS

Typical free space radiation pattern  
WIFI 2.4GHz

(\* All RF parameters measured on 2mm thick PC plate



Avg (dBi) =	-4.54
Peak (dBi) =	2.80
Avg -3 (deg) =	37.5
2450MHz	
Avg (dBi) =	-5.12
Peak (dBi) =	2.8
Avg -3 (deg) =	32.5
2500MHz	
Avg (dBi) =	-4.86
Peak (dBi) =	3.05
Avg -3 (deg) =	27.5

— 2400MHz — 2450MHz  
— 2500MHz

Issue: 1714

In the effort to improve our products, we reserve the right to make changes judged to be necessary.

CONFIDENTIAL AND PROPRIETARY INFORMATION

This document contains confidential and proprietary information of Pulse Electronics, Inc. (Pulse) and is protected by copyright, trade secret and other state and federal laws. Its receipt or possession does not convey any rights to reproduce, disclose its contents, or to manufacture, use or sell anything it may describe. Reproduction, disclosure or use without specific written authorization of Pulse is strictly forbidden.

Description: 2.4/5GHz FPC antenna

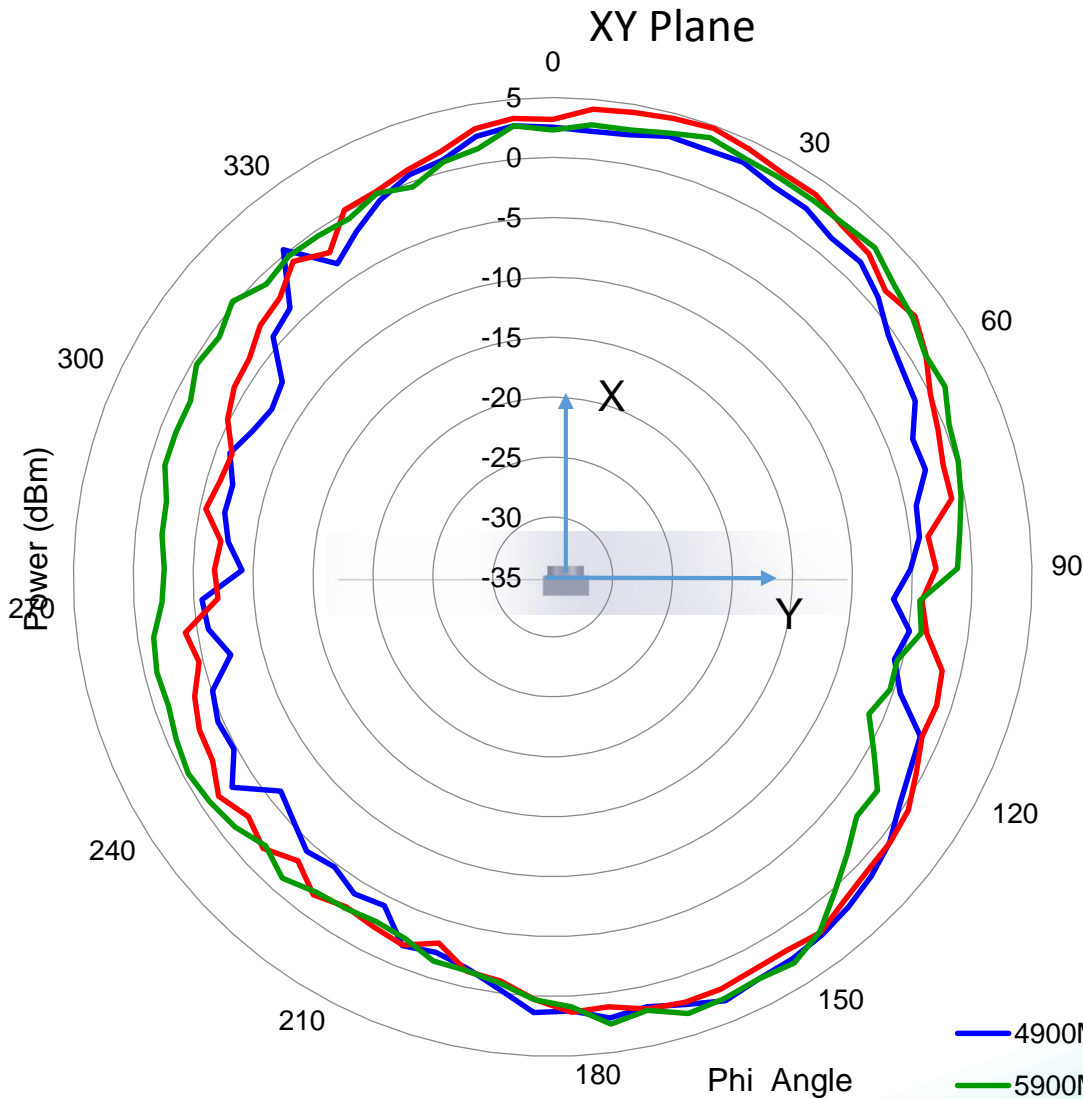
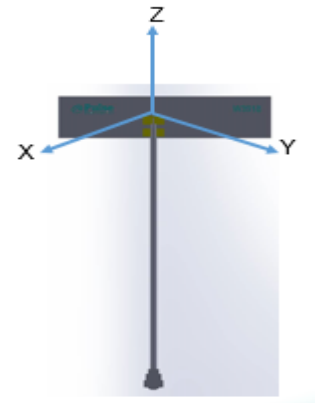
Series: Internal Antenna

PART NUMBER: W3918XXXX

CHARTS

Typical free space radiation pattern  
WIFI 5GHz

(\* All RF parameters measured on 2mm thick PC plate



	Avg (dBi) = -1.83
	Peak (dBi) = 3.19
	Avg -3 (deg) = 13
	5
5400MHz	
	Avg (dBi) = -0.70
	Peak (dBi) = 4.75
	Avg -3 (deg) = 15
	5
5900MHz	
	Avg (dBi) = -0.20
	Peak (dBi) = 3.93
	Avg -3 (deg) = 11
	0

— 4900MHz — 5400MHz  
— 5900MHz

Issue: 1714

In the effort to improve our products, we reserve the right to make changes judged to be necessary.

CONFIDENTIAL AND PROPRIETARY INFORMATION

This document contains confidential and proprietary information of Pulse Electronics, Inc. (Pulse) and is protected by copyright, trade secret and other state and federal laws. Its receipt or possession does not convey any rights to reproduce, disclose its contents, or to manufacture, use or sell anything it may describe. Reproduction, disclosure or use without specific written authorization of Pulse is strictly forbidden.

Description: 2.4/5GHz FPC antenna

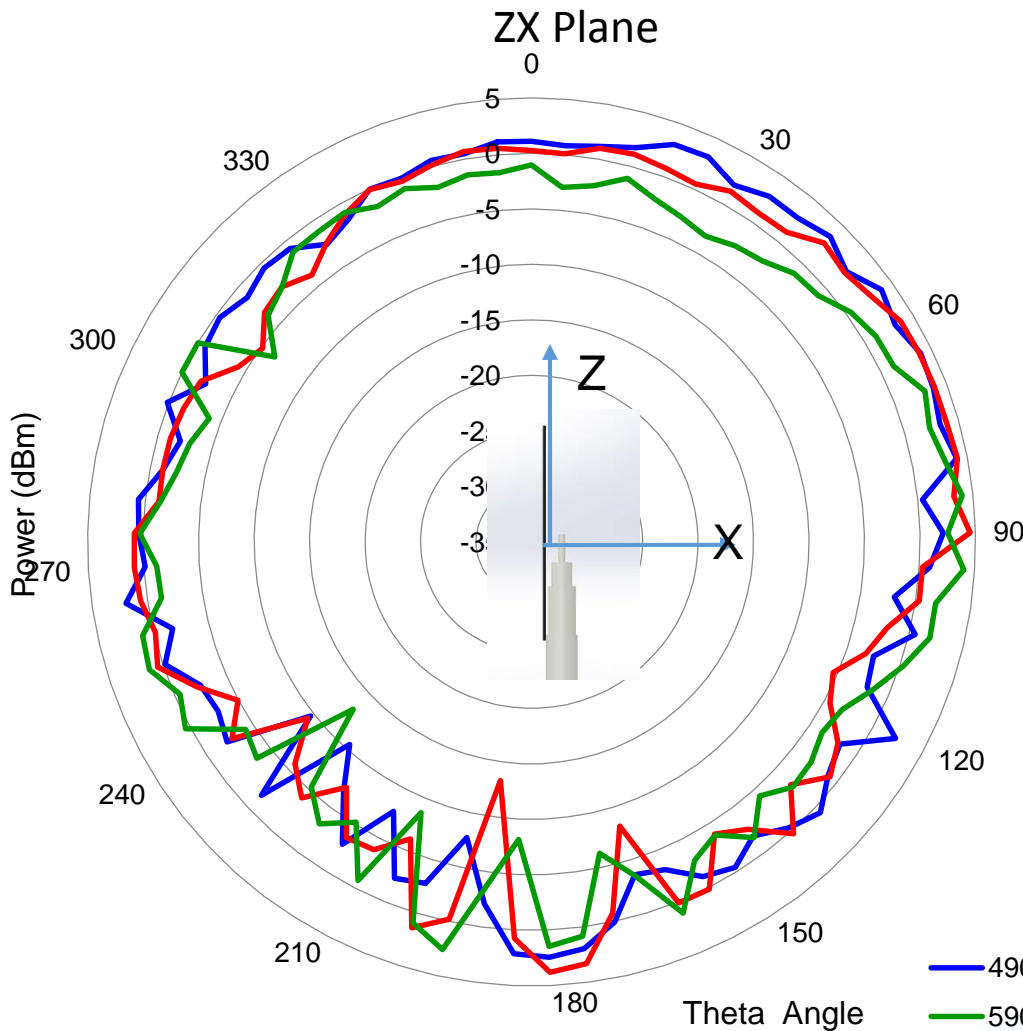
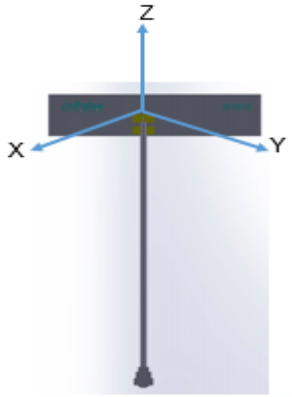
Series: Internal Antenna

PART NUMBER: W3918XXXX

CHARTS

Typical free space radiation pattern  
WIFI 5GHz

(\* All RF parameters measured on 2mm thick PC plate



4900MHz	Avg (dBi) = -0.44
	Peak (dBi) = 4.03
	Avg -3 (deg) = 55
5400MHz	Avg (dBi) = -1.00
	Peak (dBi) = 4.52
	Avg -3 (deg) = 27.5
5900MHz	Avg (dBi) = -1.64
	Peak (dBi) = 4.02
	Avg -3 (deg) = 40

— 4900MHz — 5400MHz  
— 5900MHz

Issue: 1714

In the effort to improve our products, we reserve the right to make changes judged to be necessary.  
CONFIDENTIAL AND PROPRIETARY INFORMATION

This document contains confidential and proprietary information of Pulse Electronics, Inc. (Pulse) and is protected by copyright, trade secret and other state and federal laws. Its receipt or possession does not convey any rights to reproduce, disclose its contents, or to manufacture, use or sell anything it may describe. Reproduction, disclosure or use without specific written authorization of Pulse is strictly forbidden.

Description: 2.4/5GHz FPC antenna

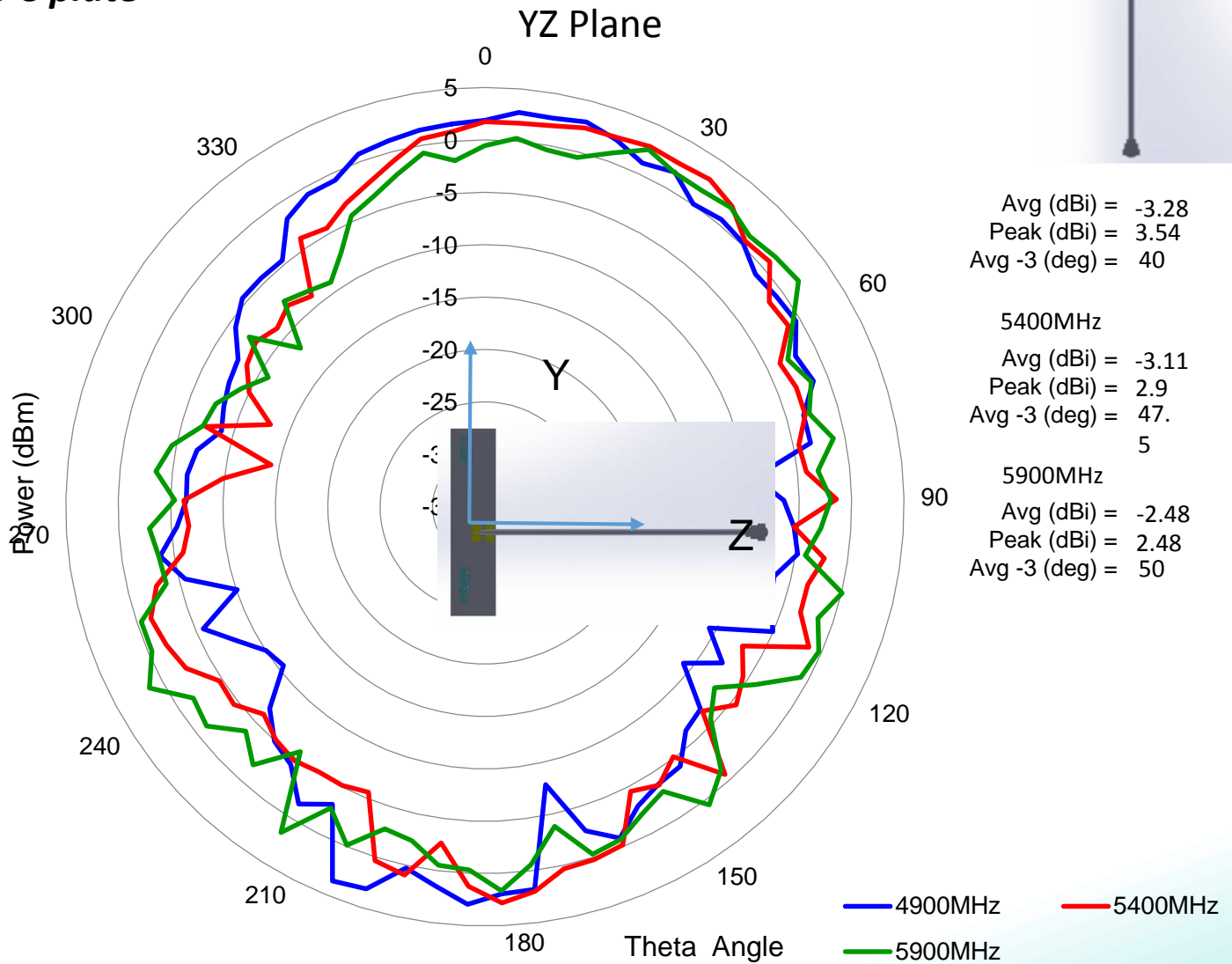
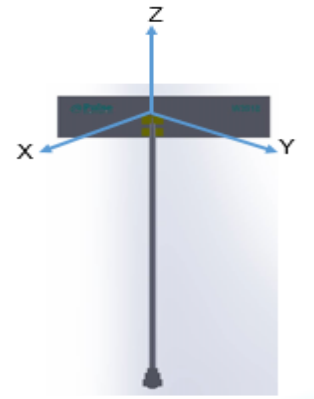
Series: Internal Antenna

PART NUMBER: W3918XXXX

CHARTS

Typical free space radiation pattern  
WIFI 5GHz

(\* All RF parameters measured on 2mm thick PC plate



Issue: 1714

In the effort to improve our products, we reserve the right to make changes judged to be necessary.  
CONFIDENTIAL AND PROPRIETARY INFORMATION

This document contains confidential and proprietary information of Pulse Electronics, Inc. (Pulse) and is protected by copyright, trade secret and other state and federal laws. Its receipt or possession does not convey any rights to reproduce, disclose its contents, or to manufacture, use or sell anything it may describe. Reproduction, disclosure or use without specific written authorization of Pulse is strictly forbidden.

Description: 2.4/5GHz FPC antenna

Series: Internal Antenna

PART NUMBER: W3918XXXX

## PACKAGING

10PCS/PE bag  
10 PE bag/foam bag  
50 foam bag/ carton box

Total 5000PCS/Carton box



Issue: 1714

In the effort to improve our products, we reserve the right to make changes judged to be necessary.

CONFIDENTIAL AND PROPRIETARY INFORMATION

This document contains confidential and proprietary information of Pulse Electronics, Inc. (Pulse) and is protected by copyright, trade secret and other state and federal laws. Its receipt or possession does not convey any rights to reproduce, disclose its contents, or to manufacture, use or sell anything it may describe. Reproduction, disclosure or use without specific written authorization of Pulse is strictly forbidden.

Downloaded From [Oneyac.com](http://Oneyac.com)

单击下面可查看定价，库存，交付和生命周期等信息

[>>Pulse\(普思\)](#)