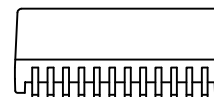
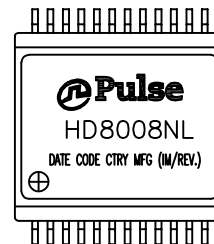


NOTES:

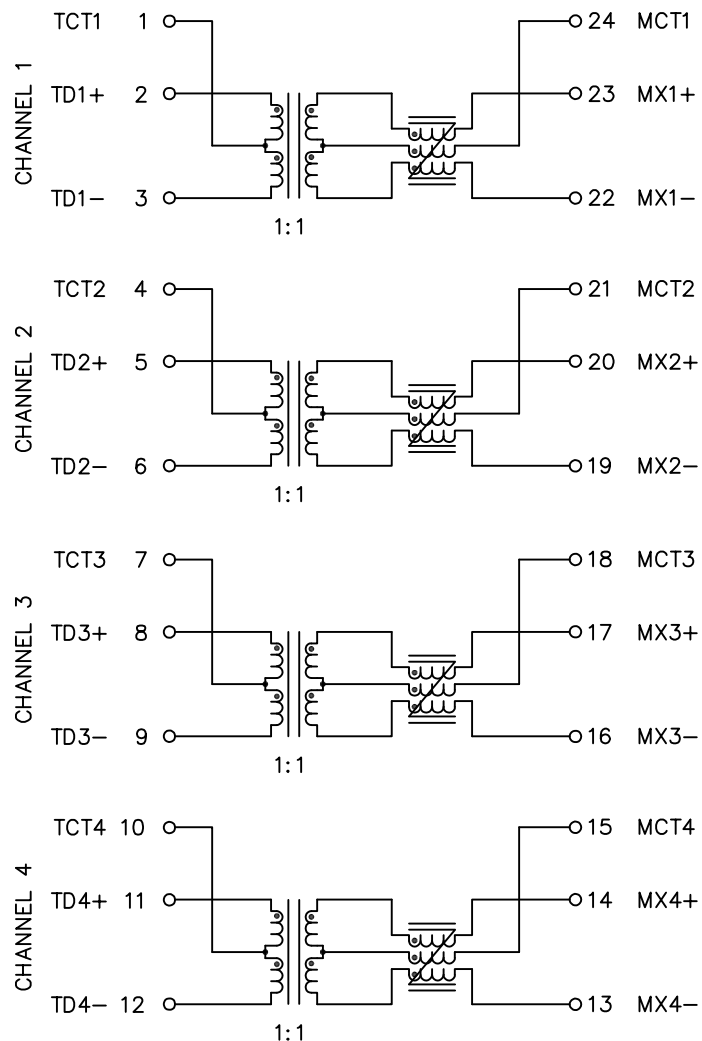
1. ROHS COMPLIANT
2. HEADER: DAP (DIALLYL PHTHALATE) WITH FLAMMABILITY RATING UL 94V-0 OR BETTER.
3. DESIGNED TO SUPPORT HD-BASET AND TESTED WITH VALENS CHIPSET
4. STORAGE TEMPERATURE: -20°C TO +125°C
5. COMPLIANCE TO J-STD:
 - A. J-STD-002: SOLDERABILITY AT 245°C REFLOW PROFILE
 - B. J-STD-020: LEVEL 1, NO MOISTURE SENSITIVE
 - C. J-STD-075: R7, 245°C MAXIMUM THROUGH REFLOW SOLDER
6. TO ORDER TAPE & REEL PACKAGING ADD A "T" SUFFIX TO THE PART NUMBER(i.e HD8008NL BECOMES HD8008NLT).



FINAL OUTLINE

© Copyright, 2015. Pulse Electronics Corp. All rights reserved. Pulse confidential & proprietary. (12/15/15)

| PRODUCT DESCRIPTION | TLA DRAWING | PS DRAWING | SHEET | PART NO. | DATASHEET REV. |
|-----------------------------|-------------|---------------|--------|----------|----------------|
| MDL,SIN,HDBT,1:1,PoEP,SM,TU | HD8008NL-P1 | PS-2517.001-A | 1 OF 3 | HD8008NL | C |



SCHEMATIC

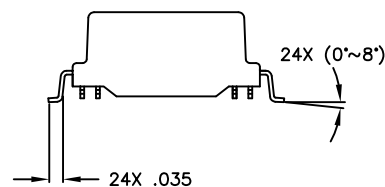
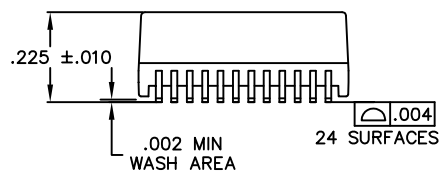
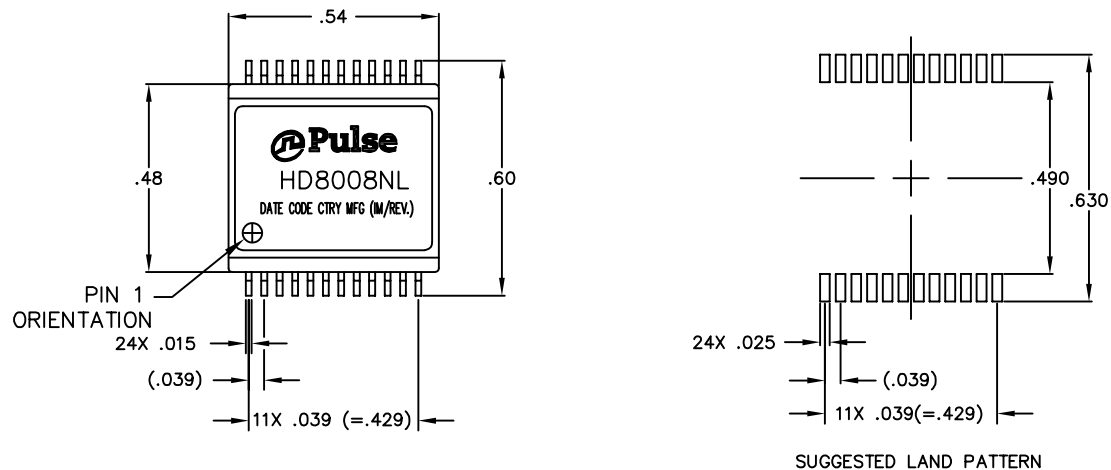
ELECTRICAL CHARACTERISTICS AT +25°C UNLESS OTHER SPECIFIED
MEETS HDBASET SPECIFICATION

| PARAMETER | SPECIFICATIONS | | |
|--|--|---------------------------|-------------|
| OPERATING TEMPERATURE | 0°C TO 70°C | | |
| TURNS RATIO | 1.00 ± 2% | | |
| POLARITY | PER SCHEMATIC | | |
| INSERTION LOSS | 100 KHz | 1-400 MHz | 500 MHz |
| | -3.0 dB MAX | -1.5 dB MAX (-1.0 dB TYP) | -3.0 dB MAX |
| RETURN LOSS (Z OUT = 100 OHM ± 1%) | 1-40 MHz | 40 MHz-500 MHz | |
| | -18 dB MIN | -17 + 10*LOG (f/40) | |
| INDUCTANCE (OCL) | 100 uH MIN (MEASURED AT 100 KHz, 100 mVRMS AND WITH 5 mA DC BIAS) | | |
| CROSSTALK, ADJACENT CHANNELS | 1-100 MHz | 100-500 MHz | |
| | -40 dB MIN | -30 dB MIN | |
| COMMON MODE REJECTION RATIO | 1-100 MHz | 100-300 MHz | 300-500 MHz |
| | -35 dB MIN | -30 dB MIN | -25 dB MIN |
| | COMMON TO DIFFERENTIAL MODE REJECTION (CDMR) | | |
| COMMON TO DIFFERENTIAL MODE REJECTION (CDMR) | 1-250 MHz | 250-500 MHz | |
| | -30 dB MIN | -22 dB MIN | |
| DC CURRENT/VOLTAGE RATING | TOTAL 600 mA MAX @ 57 V (CONTINUOUS) OR 300 mA MAX/PAIR @ 57 V (CONTINUOUS) | | |
| INPUT - OUTPUT ISOLATION | 1500 VRMS MIN @ 60 SECONDS | | |

NOTE: f IS FREQUENCY IN MHZ.

© Copyright, 2015. Pulse Electronics Corp. All rights reserved. Pulse confidential & proprietary. (12/15/15)

| PRODUCT DESCRIPTION | TLA DRAWING | PS DRAWING | SHEET | PART NO. | DATASHEET REV. |
|-----------------------------|-------------|---------------|--------|----------|----------------|
| MDL,SIN,HDBT,1:1,PoEP,SM,TU | HD8008NL-P1 | PS-2517.001-A | 2 OF 3 | HD8008NL | C |



DIMENSIONS ARE IN INCHES WITH THE FOLLOWING,
TOLERANCES:
.XX = ±.02 .XXX = ±.010

© Copyright, 2015. Pulse Electronics Corp. All rights reserved. Pulse confidential & proprietary. (12/15/15)

| PRODUCT DESCRIPTION | TLA DRAWING | PS DRAWING | SHEET | PART NO. | DATASHEET REV. |
|-----------------------------|-------------|---------------|--------|----------|----------------|
| MDL,SIN,HDBT,1:1,PoEP,SM,TU | HD8008NL-P1 | PS-2517.001-A | 3 OF 3 | HD8008NL | C |

单击下面可查看定价，库存，交付和生命周期等信息

[>>Pulse\(普思\)](#)