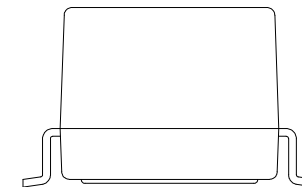
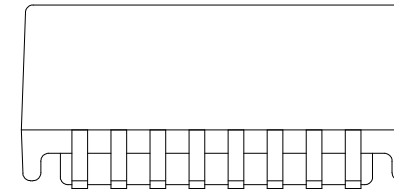
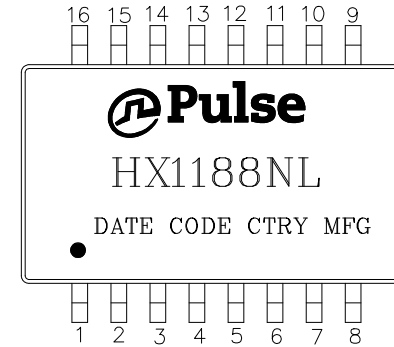




NOTES:

1. ROHS COMPLIANT
2. HEADER: DAP (DIALLYL PHTHALATE) WITH FLAMMABILITY RATING UL 94V-0 OR BETTER.
3. STORAGE TEMPERATURE: -50°C TO +125°C
4. COMPLIANCE TO J-STD:
 - A. J-STD-002: SOLDERABILITY AT 245°C REFLOW PROFILE
 - B. J-STD-020: LEVEL 1, NO MOISTURE SENSITIVE
 - C. J-STD-075: R7, 245°C MAXIMUM THROUGH REFLOW SOLDER
5. TO ORDER TAPE & REEL PACKAGING ADD A "T" SUFFIX TO THE PART NUMBER(i.e HX1188NL BECOMES HX1188NLT).

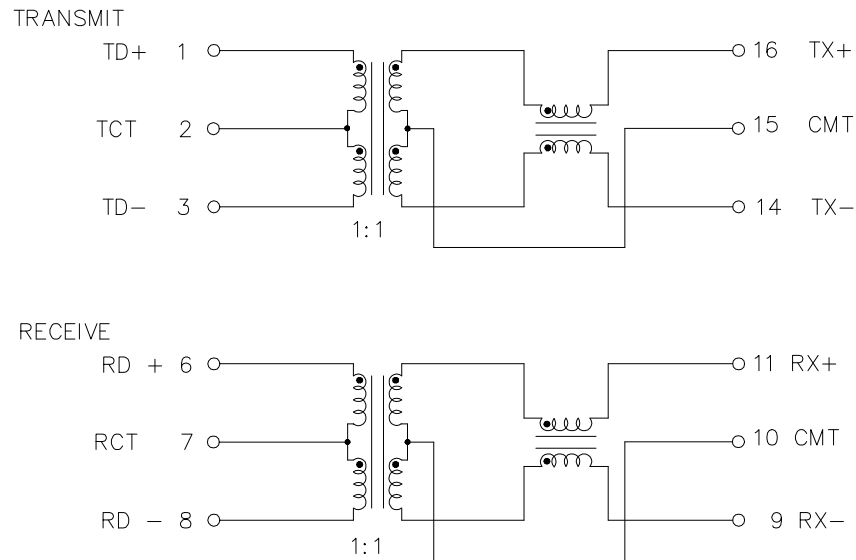


FINAL OUTLINE

© Copyright, 2020. Pulse Electronics Corp. All rights reserved. Pulse confidential & proprietary. (10/22/20)

PRODUCT DESCRIPTION	TLA DRAWING	PS DRAWING	SHEET	PART NO.	DATASHEET REV.
MDL,SIN,100D,1:1,SM,TU	HX1188NL-17	PS-2005.001-G	1 OF 4	HX1188NL	H

ELECTRICAL CHARACTERISTICS AT +25°C UNLESS OTHER SPECIFIED
MEETS IEEE 802.3 SPECIFICATION



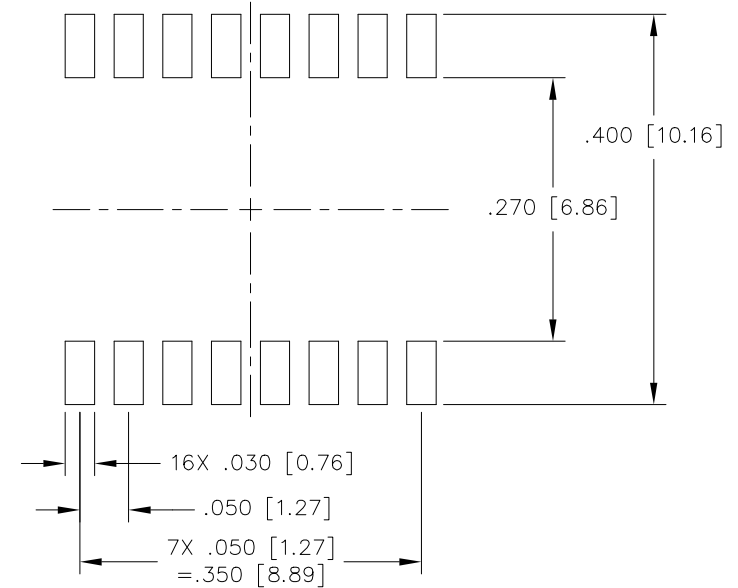
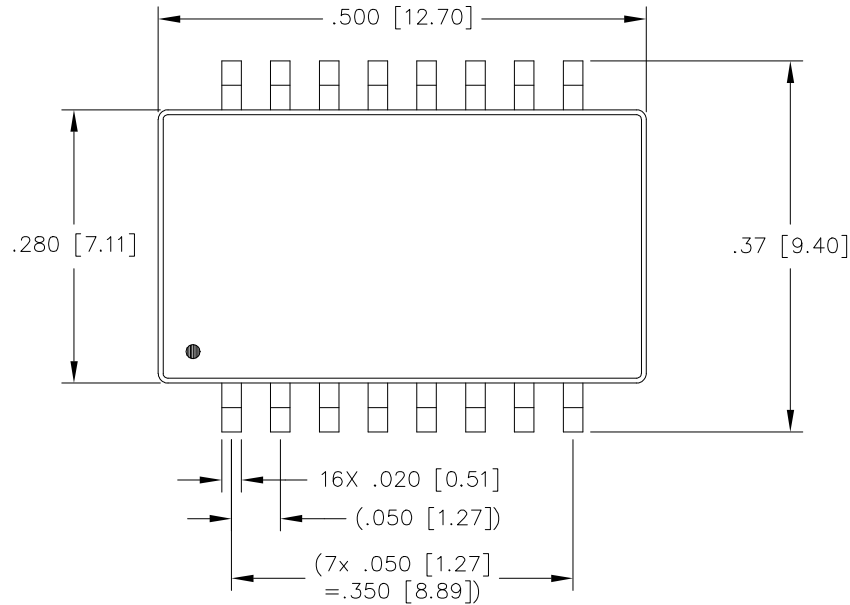
SCHMATIC

PARAMETER	SPECIFICATIONS	
OPERATING TEMP	-40°C TO +85°C	
TURNS RATIO	1 : 1 ±2%	
POLARITY	PER SCHEMATIC	
▽ INDUCTANCE (OCL) (16-14) = (11-9) (MEDIA SIDE, -40°C~+85°C)	350 uH MIN (MEASURED AT 100 KHz, 100 mVRMS) (AND WITH 8 mA DC BIAS)	
▽ INSERTION LOSS	1-100 MHz	125 MHz
	-1.0 dB MAX	-3.0 dB MAX
RETURN LOSS Z _{OUT} = 100 OHMS	5 MHz	30-80 MHz
	-18 dB MIN	-16 + 20LOG ₁₀ (f/30 MHz) dB MIN
CROSSTALK (TX-RX)	1 MHz	5-100 MHz
	-62 dB MIN	-45 + 21LOG ₁₀ (f/30 MHz) dB MIN
DIFFERENTIAL TO COMMON MODE REJECTION	5-200 MHz	
	-50 + 17LOG ₁₀ (f/5 MHz) dB MIN	
▽ INPUT - OUTPUT ISOLATION	1500 VRMS FOR 60 SECONDS	

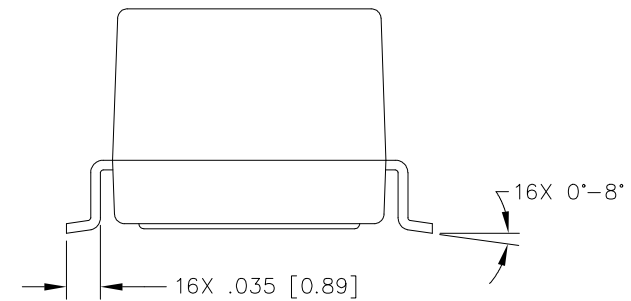
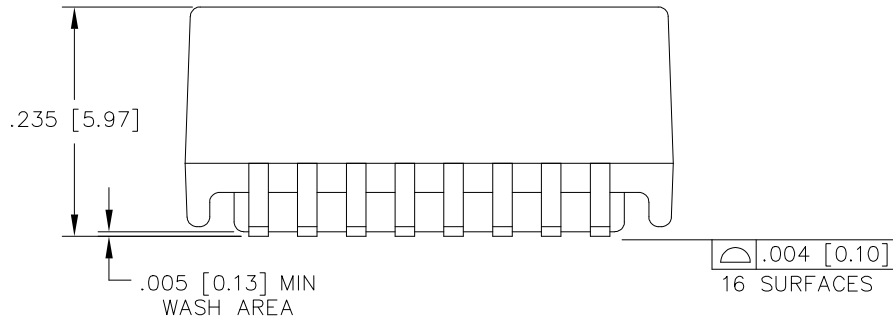
NOTE: 1. f IS FREQUENCY IN MHz.

2. "▽" IS SPECIAL CHARACTERISTIC.

PRODUCT DESCRIPTION	TLA DRAWING	PS DRAWING	SHEET	PART NO.	DATASHEET REV.
MDL,SIN,100D,1:1,SM,TU	HX1188NL-17	PS-2005.001-G	2 OF 4	HX1188NL	H



SUGGESTED LAND PATTERN

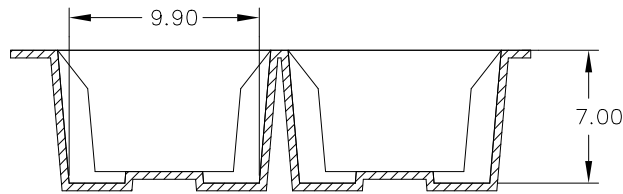
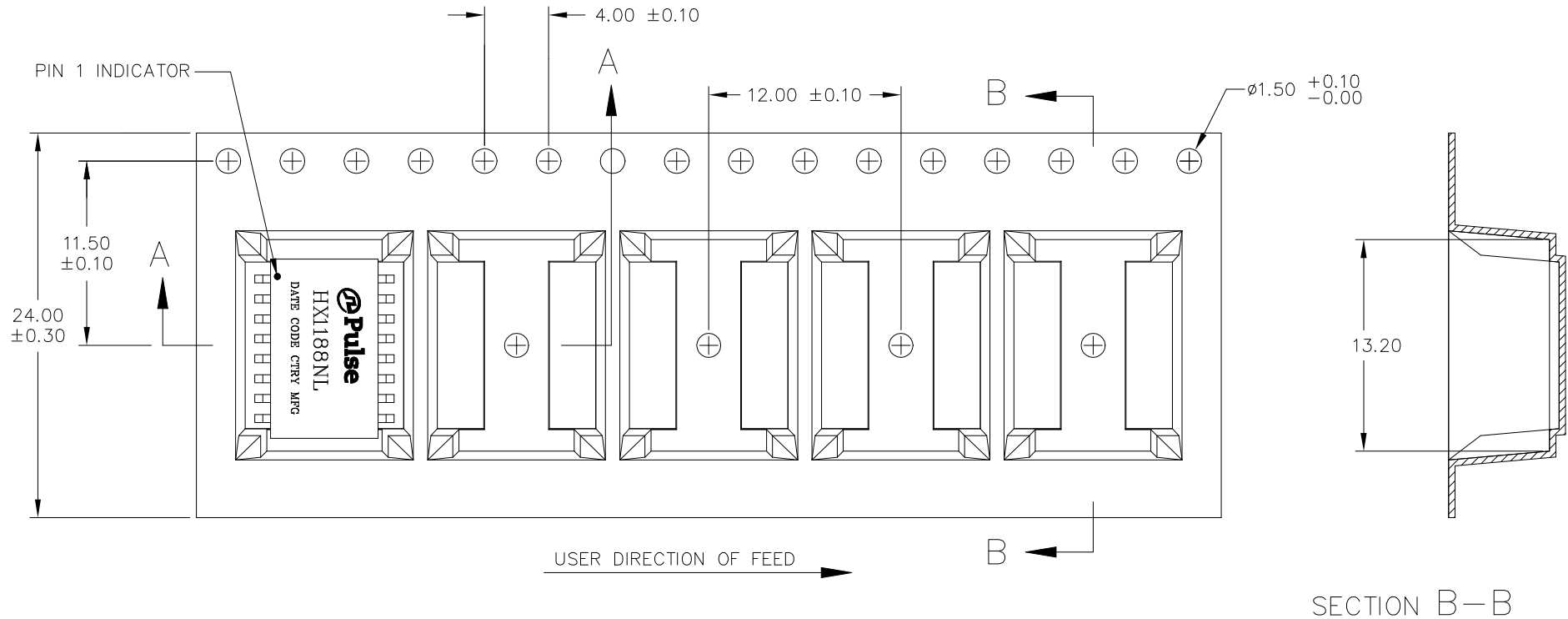


DIMENSIONS ARE IN INCHES [MILLIMETERS] WITH THE FOLLOWING TOLERANCES: [MILLIMETERS] ARE FOR REFERENCE ONLY.
 .XX= ±.01 [±0.25]
 .XXX= ±.005 [±0.13]

© Copyright, 2020. Pulse Electronics Corp. All rights reserved. Pulse confidential & proprietary. (10/22/20)

PRODUCT DESCRIPTION	TLA DRAWING	PS DRAWING	SHEET	PART NO.	DATASHEET REV.
MDL,SIN,100D,1:1,SM,TU	HX1188NL-17	PS-2005.001-G	3 OF 4	HX1188NL	H

NOTE: PACK 600 PIECES PER REEL



SECTION A-A

DIMENSIONS ARE IN MM WITH THE FOLLOWING TOLERANCES: ± 0.10

© Copyright, 2020. Pulse Electronics Corp. All rights reserved. Pulse confidential & proprietary. (10/22/20)

PRODUCT DESCRIPTION	TLA DRAWING	PS DRAWING	SHEET	PART NO.	DATASHEET REV.
MDL,SIN,100D,1:1,SM,TU	HX1188NL-17	PS-2005.001-G	4 OF 4	HX1188NL	H

单击下面可查看定价，库存，交付和生命周期等信息

[>>Pulse\(普思\)](#)