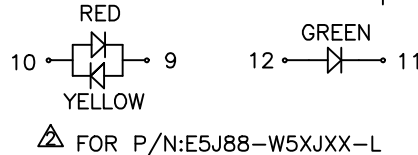
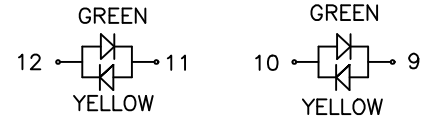
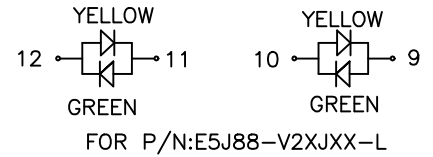
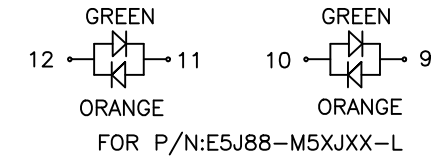
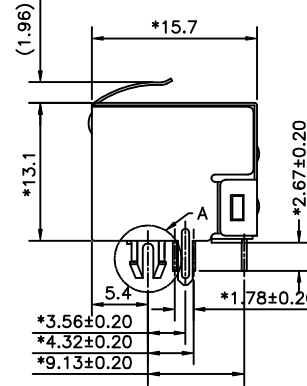
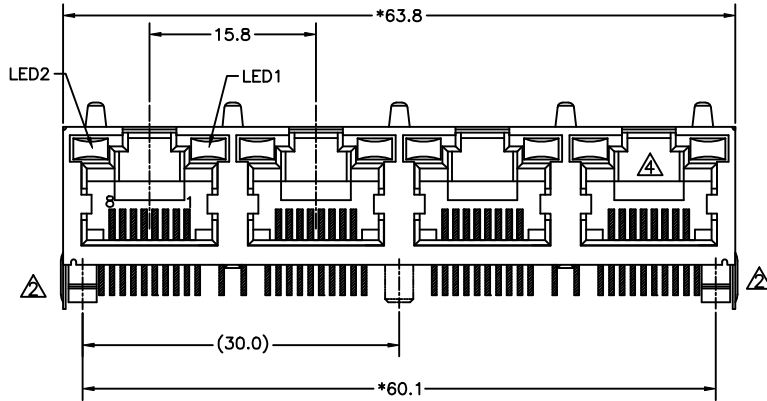
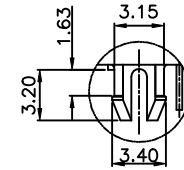
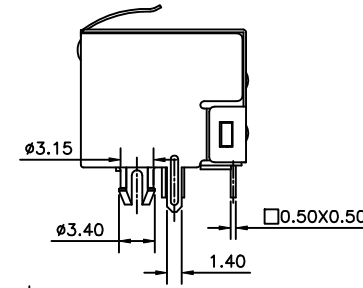
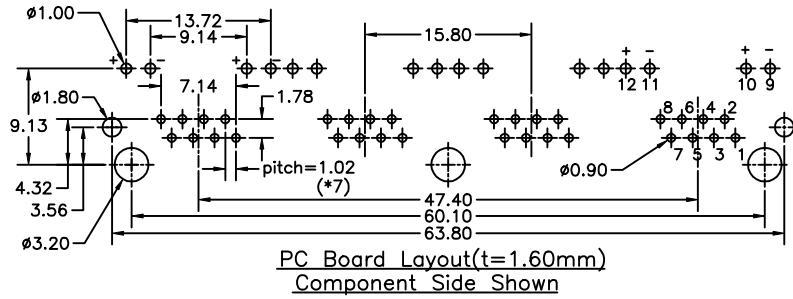


| REVISION RECORD | | | | |
|-----------------|-----|-------------|----------------------|------|
| REV | ECO | DESCRIPTION | DRFT | CHKD |
| ▲ | | ADD P/N | YANGLAN 07/14/05* | |
| ▲ | | ADD P/N | YANGLAN 08/04/05* | |
| ▲ | | Erase Logo | JIE 08/29/05* | |
| ▲ | | Erase Logo | YANGLAN 10/31/05* | |



NOTES:

ELECTRICAL:

- VOLTAGE RATING : 125 VAC RMS.
- CURRENT RATING : 1.5 AMP.
- CONTACT RESISTANCE : 30 MILLIOHMS MAX.
- INSULATION RESISTANCE: 1000 MEGOHMS MIN @ 500 VDC.
- DIELECTRIC STRENGTH : 1000 VAC RMS 60Hz, 1MIN.
- LED RATINGS: FORWARD VOLTAGE: 2.2 VOLTS TYPICAL.
REVERSE VOLTAGE: 5 VOLTS MAXIMUM
- OPERATING: 750 CYCLES MIN.

MECHANICAL:

- HOUSING MATERIAL : FR52 UL94V-0. COLOR-BLACK.
- INSERT MATERIAL : FR52 UL94V-0. COLOR-BLACK.
- BACK PLATE MATERIAL : FR52 COLOR-BLACK.
- LED SIZE : 3.2*2.0*7.0*P=2.54mm.
- SHIELD MATERIAL : COPPER ALLOY 0.25mm THICKNESS PLATING NI.
- CONTACT MATERIAL : PHOSPHOR BRONZE 0.35mm THICKNESS OR 0.46mm.
- PLATING : GOLD PLATING OVER NICKEL.
- PCB RETENTION PRE-SOLDER : 1 LB MIN.
- PCB RETENTION POST-SOLDER: 10 LBS MIN.

ENVIRONMENTAL:

- STORAGE : -40°C TO +85°C.
- OPERATION: -40°C TO +85°C.
- SOLDERING TEMPERATURE: 255~265°C 5~10SECONDS.

MATES WITH MODULAR PLUG CONFORMING TO FCC PART 68, SUBPART F. UL FILE No:E163191

M5-LED1&LED2:G+O TOP TABS LEFT&RIGHT NO TABS SHIELD
 V2-LED1&LED2:Y+G TOP TABS LEFT&RIGHT NO TABS SHIELD
 22-LED1& LED2:GREEN TOP TABS SHIELD
 32-LED1:YELLOW LED2:GREEN TOP TABS SHIELD
 42-LED1& LED2:G+Y TOP TABS SHIELD
 W5-LED1 R+Y& LED2: GREEN NO TAB SHIELD

PLATING: 1-3u" 2-6u" 3-15u" 4-30u" 5-50u"
 1-PLATE Tin SHIELD,STAMP PIN,LED LONG 7.00
 2-PLATE Ni SHIELD,STAMP PIN,LED LONG 7.00
 3-PLATE Tin SHIELD,ROUND PIN,LED LONG 7.00
 4-PLATE Ni SHIELD,ROUND PIN,LED LONG 7.00

S-4 PORTS,W/O MIDDLE POLE&SHIELD W/O BEHIND LEG.
 H-4 PORTS,SHIELD W/O BEHIND LEG.

| | | |
|----------------------------|---|-----------------------------|
| MM (INCH) | | DFTO YANGLAN DATE 07/04/05* |
| TOLERANCES EXCEPT AS NOTED | | CHKDASHLELLY DATE 2005/11/3 |
| | | MFO DATE |
| MM | | APPV LUSHENG DATE 2005/11/3 |
| .0 ± 0.20 | ± | |
| .00 ± 0.15 | ± | |
| .000 ± 0.075 | ± | |
| ANGLES ± | | QTY : |
| THIRD ANGLE PROJECTION | | FINISH : |
| | | SCALE : 2:1 |

FULL RISE ELECTRONIC CO., LTD

TITLE
 RJ45 SIDE ENTRY LED GANG JACK 4 PORTS

DRAWING NO. GE5J3202-LA SIZE REV
 /PART NO. SEE NOTE A3 4

DO NOT SCALE DRAWING SHEET X OF Y

单击下面可查看定价，库存，交付和生命周期等信息

[>>Pulse\(普思\)](#)