

P/Ns: GPSMOD1315, GPSMOD1333, GPSMOD2515, GPSMOD2533

Description: Active GPS Antenna Modules 13mm x 13mm and 25 mm x 25 mm sizes

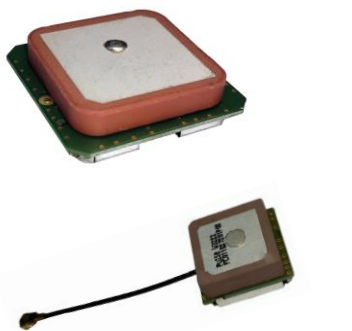
Part# GPSMODxxxx Series

Features

- Small form factor
- Includes low noise amplifier(LNA) 16 and 33dB options
- Suitable for mounting inside device
- 3-5v operating voltage
- Low noise figure

Applications

- Use in GPS enabled devices
- Portable Handsets
- Automotive Navigation
- Tracking and Positioning
- GNSS



Confidential and Proprietary – Pulse Electronics – All Rights reserved – 2015

This document contains confidential and proprietary information of Pulse Electronics, Inc. (Pulse) and is protected by copyright, trade secret and other state and federal laws. Its receipt or possession does not convey any rights to reproduce, disclose its content, or to manufacture, use or sell anything it may describe. Reproduction, disclosure or use without specific written authorization of Pulse is strictly forbidden. Information subject to change without notice.

For More Information

Pulse Worldwide Headquarters

12220 World Trade Drive
San Diego, CA 92128
USA

Tel: 1- 858-674-8100
Fax: 1-858-674-8262

Larsen Brand Antennas

3611 NE 112th Ave
Vancouver, WA 98682
USA

Tel: 1-360-944-7551
Fax: 1-360-944-7556

Europe Headquarters

Pulse GmbH & Do, KG
Zeppelinstrasse 15
Herrenberg, Germany

Tel: 49 7032 7806 0
Fax: 49 7032 7806 135

Pulse (Suzhou) Wireless Products Co, Inc.

99 Huo Ju Road(#29 Bldg, 4th Phase
Suzhou New District
Science & Tech Industrial Park
Jiangsu Province, Suzhou 215009 PR China

Tel: 86 512 6807 9998
Fax: 86 512 6809 8023



Performance warranty of products offered in this data sheet is limited to the parameters specified. Other brand and product names mentioned herein may be trademarks or registered trademarks of their respective owners.
©Copyright, 2015. Pulse Electronics, Inc. All rights Reserved.

Description: Active GPS Antenna Modules

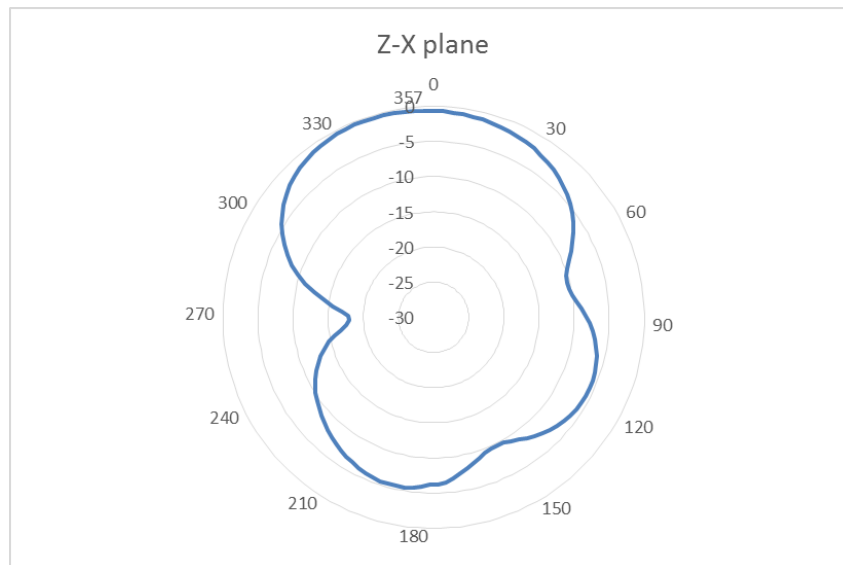
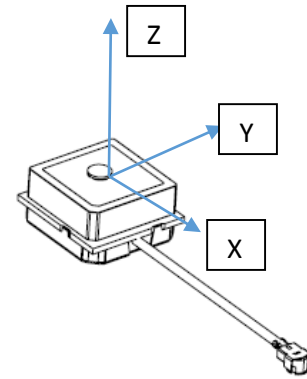
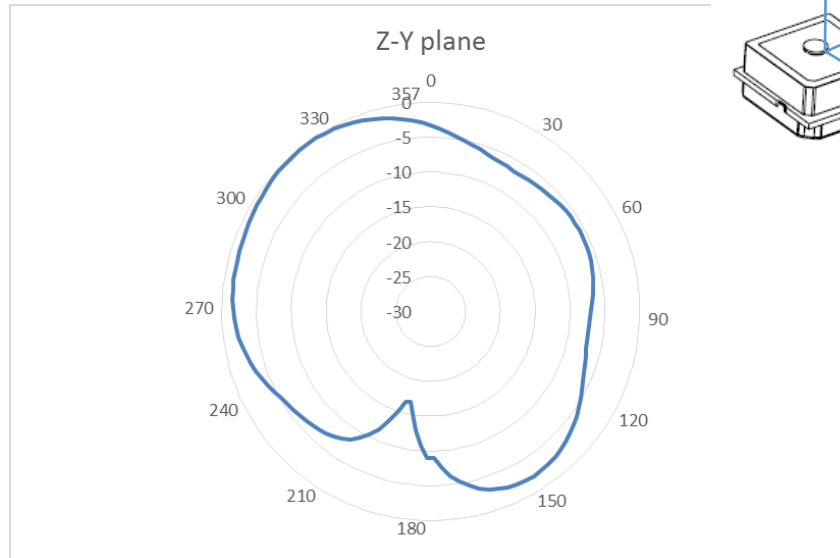
13mm x 13 mm and 25 mm x 25 mm sizes

Part# GPSMODxxxx Series

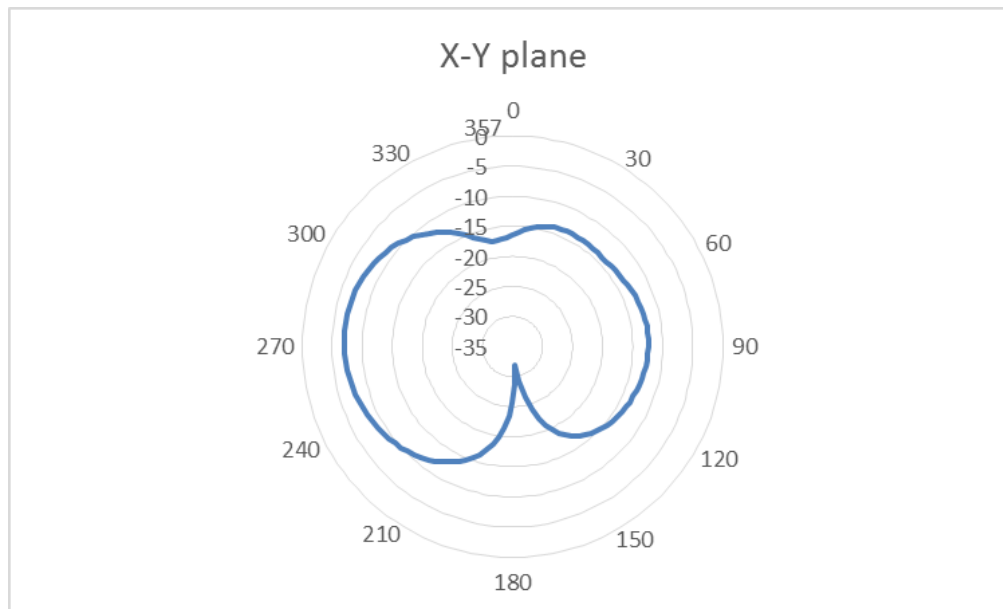
	GPSMOD1315	GPSMOD1333	GPSMOD2515	GPSMOD2533
ELECTRICAL SPECIFICATIONS				
FREQUENCY	1575.42mhZ	1575.42mhZ	1575.42mhZ	1575.42mhZ
NOMINAL IMPEDANCE (Ω)	50	50	50	50
VSWR	1.5:1	1.5:1	1.5:1	1.5:1
GAIN RADIATING ELEMENT	-1dBic +/- 1 dB	-1dBic +/- 1 dB	3.4dBic +/- 1 dB	3.4dBic +/- 1 dB
GAIN LNA	16 dB +/- 1 dB	33 dB +/- 2 dB	16 dB +/- 1 dB	33 dB +/- 2 dB
LNA NOISE FIGURE	< 2.4 dB	< 2.4 dB	< 2.6 dB	< 3.4 dB
POLARIZATION	RCHP	RCHP	RCHP	RCHP
OPERATING VOLTAGE	3.3-5 Vdc +/- 0.5 V	3.3-5 Vdc +/- 0.5 V	3.3-5 Vdc +/- 0.5 V	3.3-5 Vdc +/- 0.5 V
CURRENT COMSUMPTION	< 6A mA	< 10A mA	< 6A mA	< 10A mA
ENVIRONMENTAL SPECIFICATIONS				
OPERATION TEMPERATURE	-40 to +85°C	-40 to +85°C	-40 to +85°C	-40 to +85°C
MECHANICAL SPECIFICATIONS				
WEIGHT	4.8g	4.8g	13.5g	13.5g
DIMENSIONS	13 mm x 13 mm	13 mm x 13 mm	25 mm x 25 mm	25 mm x 25 mm
CABLE LENGTH	32mm	32mm	N/A	N/A
MOUNTING	DOUBLE SIDED ADHESIVE TAPE PROVIDED	DOUBLE SIDED ADHESIVE TAPE PROVIDED	DOUBLE SIDED ADHESIVE TAPE PROVIDED	DOUBLE SIDED ADHESIVE TAPE PROVIDED
CABLE TYPE	0.81mmCOAXIAL	0.81mmCOAXIAL	N/A	N/A
CONNECTOR	U.FL & IPEX COMPLIANT	U.FL & IPEX COMPLIANT	Solder pads for coaxial cable	Solder pads for coaxial cable

Description: Active GPS Antenna Modules
13mm x 13 mm and 25 mm x 25 mm sizes
Part# GPSMODxxxx Series

PATTERN DATA – GPSMOD1315



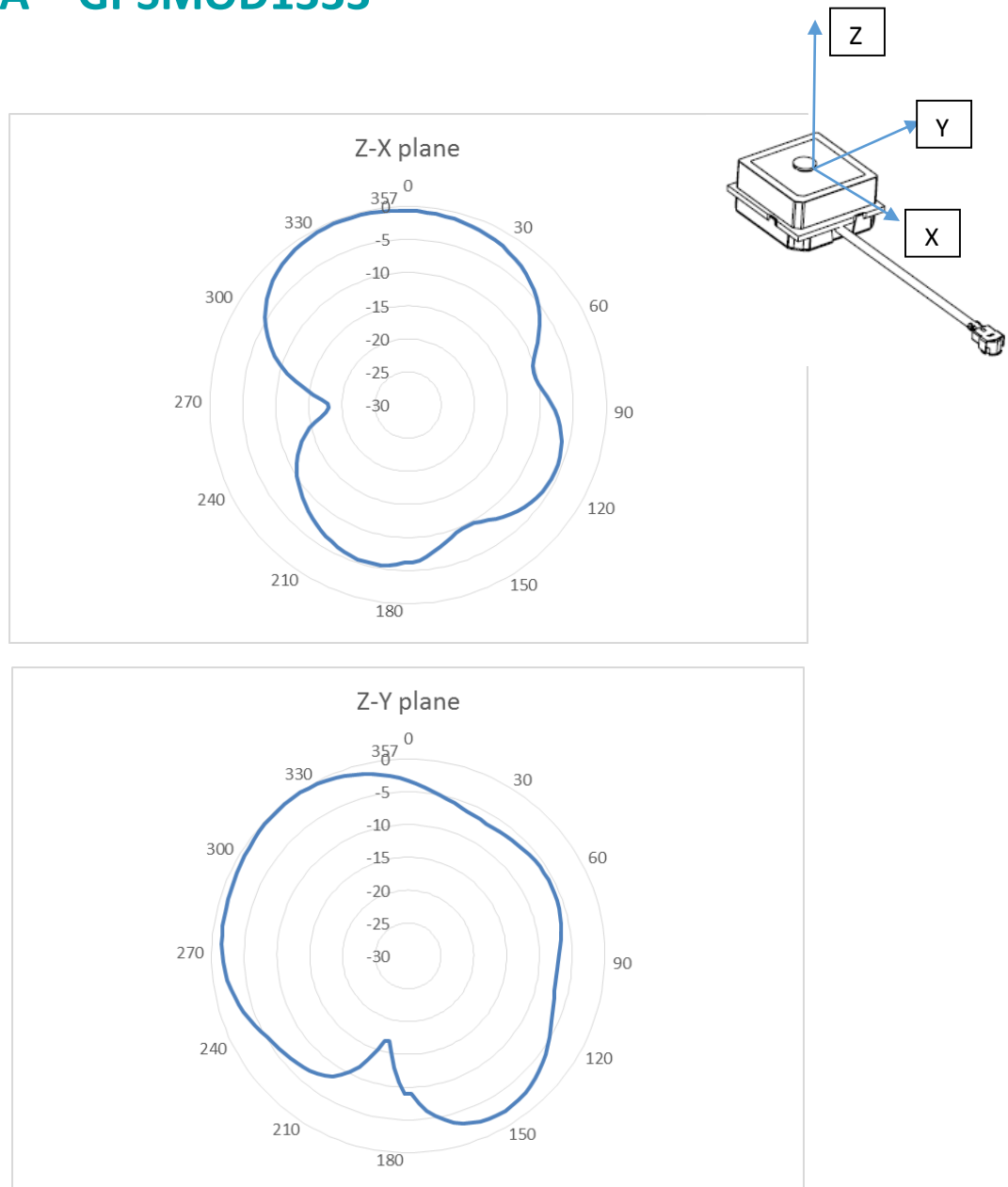
Description: Active GPS Antenna Modules
13mm x 13 mm and 25 mm x 25 mm sizes
Part# GPSMODxxxx Series



Out of Band Rejection	
698MHz	75dB
960MHz	80dB
1710MHz	70dB
2170MHz	60dB
2400MHz	60dB
2700MHz	55dB

Description: Active GPS Antenna Modules
13mm x 13 mm and 25 mm x 25 mm sizes
Part# GPSMODxxxx Series

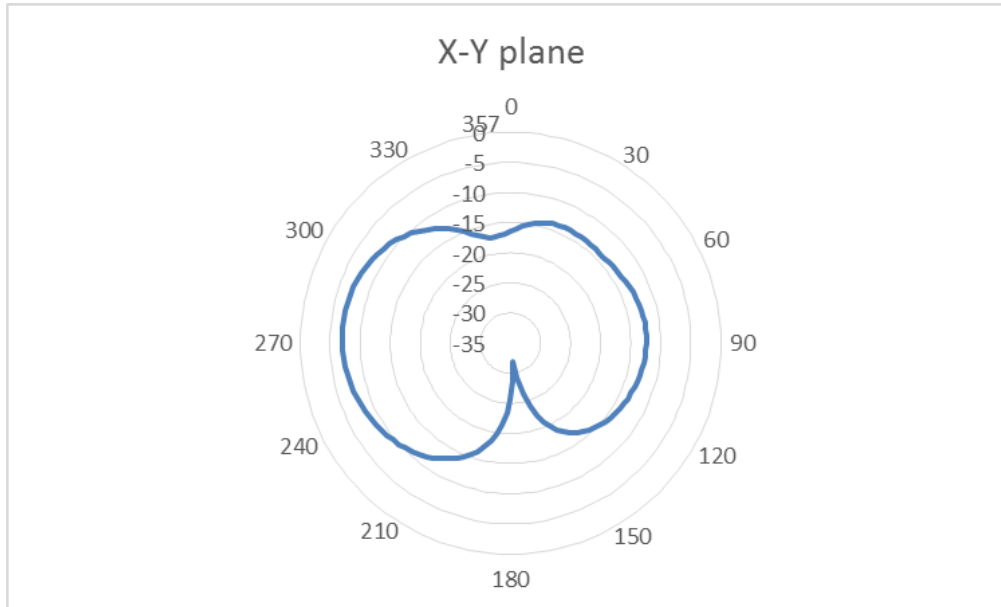
PATTERN DATA – GPSMOD1333



Description: Active GPS Antenna Modules

13mm x 13 mm and 25 mm x 25 mm sizes

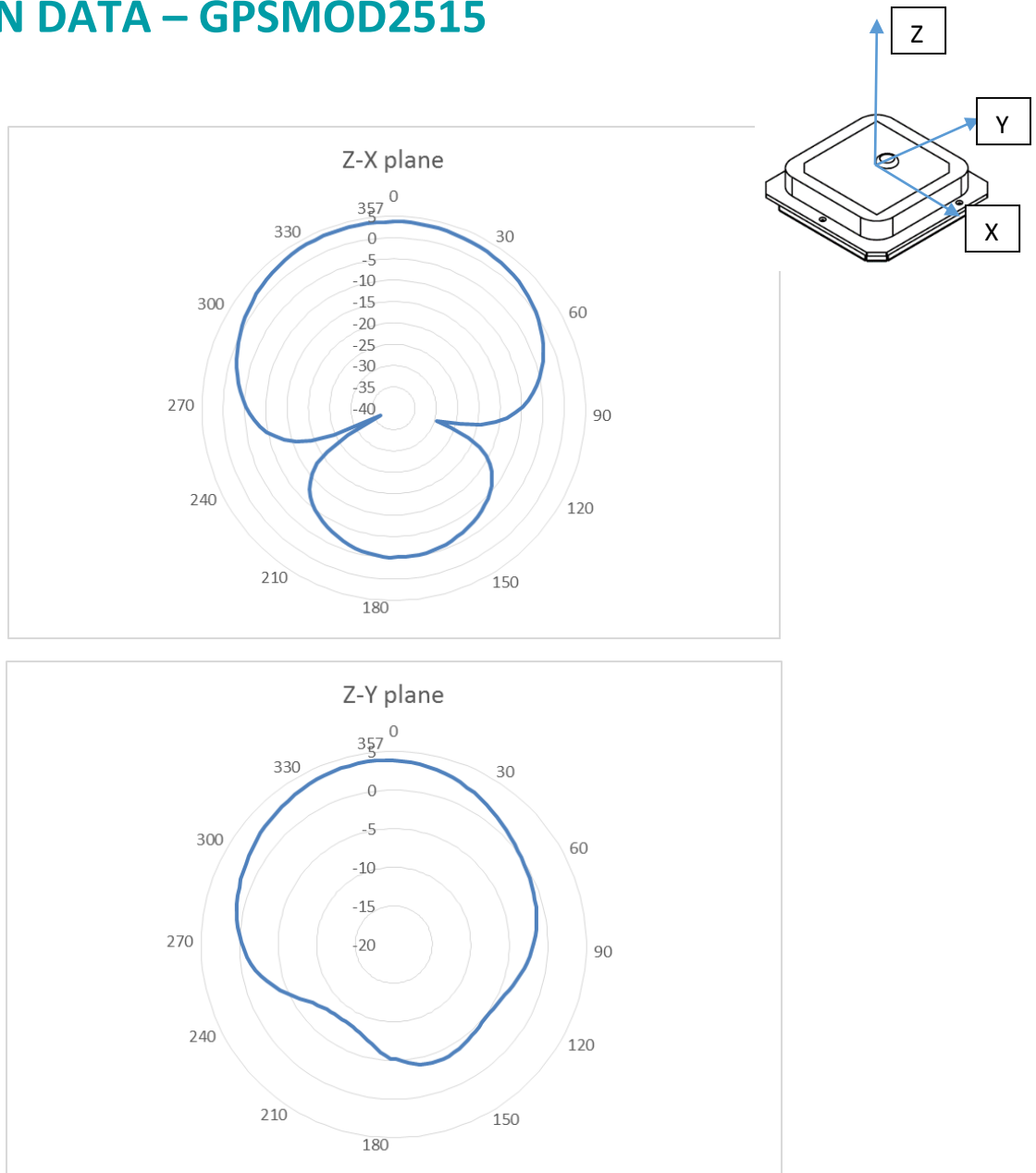
Part# GPSMODxxxx Series



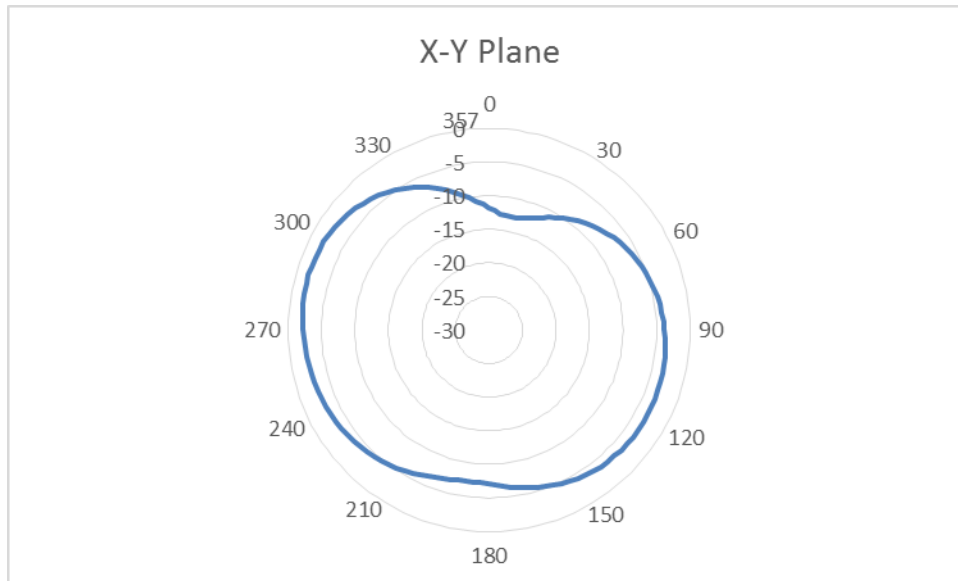
Out of Band Rejection	
698MHz	90dB
960MHz	80dB
1710MHz	70dB
2170MHz	65dB
2400MHz	65dB
2700MHz	75dB

Description: Active GPS Antenna Modules
13mm x 13 mm and 25 mm x 25 mm sizes
Part# GPSMODxxxx Series

PATTERN DATA – GPSMOD2515



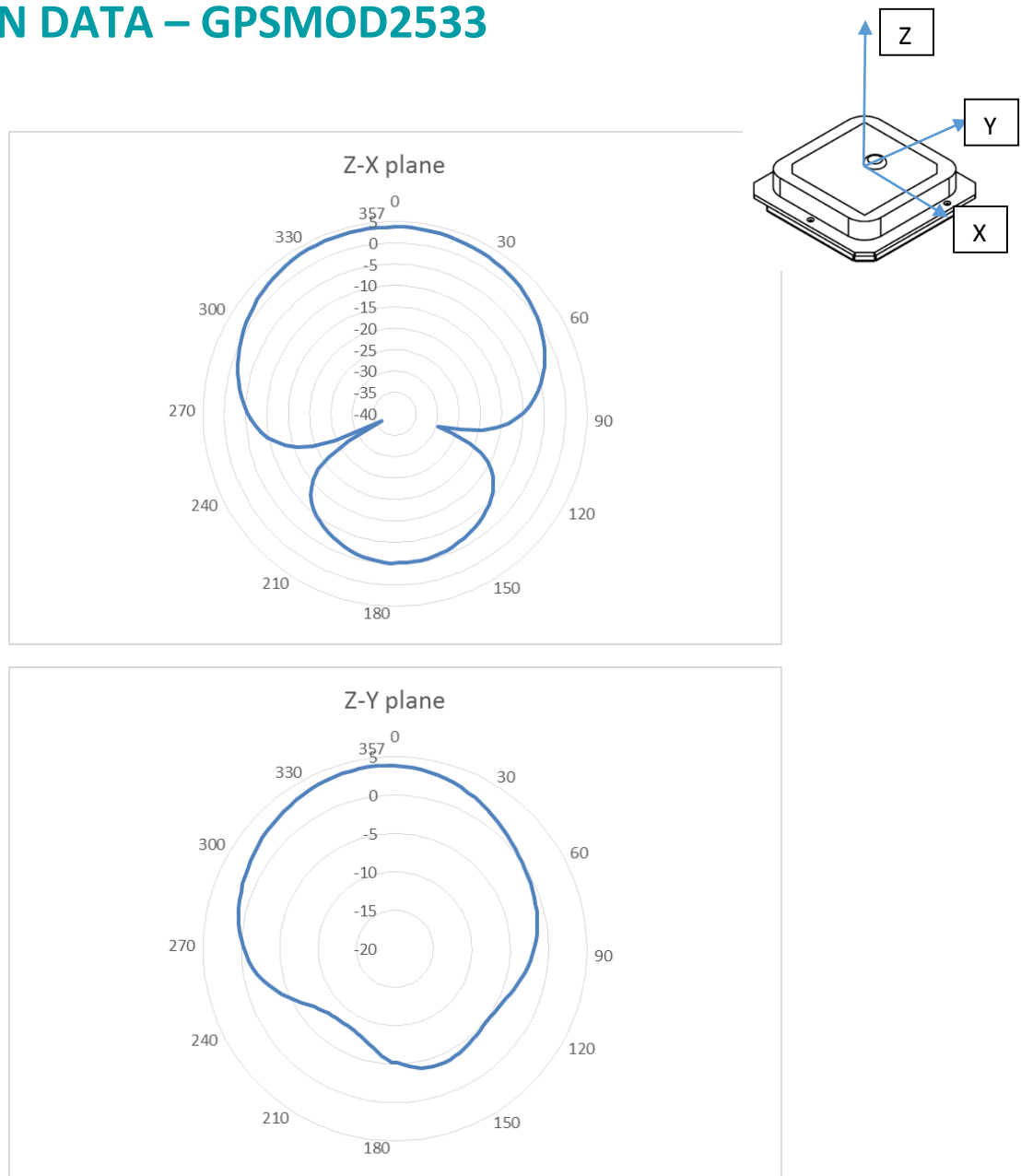
Description: Active GPS Antenna Modules
13mm x 13 mm and 25 mm x 25 mm sizes
Part# GPSMODxxxx Series



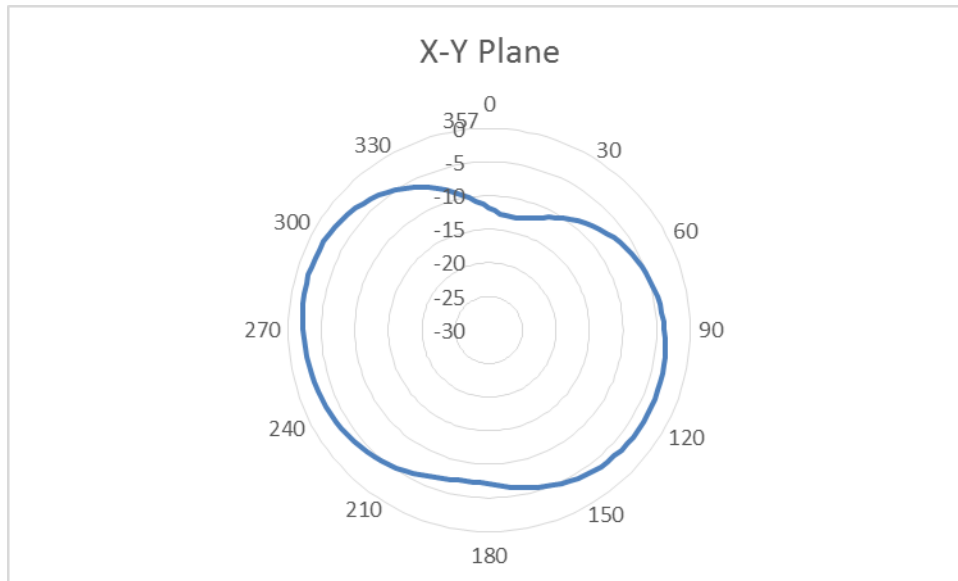
Out of Band Rejection	
698MHz	85dB
960MHz	75dB
1710MHz	70dB
2170MHz	65dB
2400MHz	65dB
2700MHz	65dB

Description: Active GPS Antenna Modules
13mm x 13 mm and 25 mm x 25 mm sizes
Part# GPSMODxxxx Series

PATTERN DATA – GPSMOD2533



Description: Active GPS Antenna Modules
13mm x 13 mm and 25 mm x 25 mm sizes
Part# GPSMODxxxx Series



Out of Band Rejection	
698MHz	90dB
960MHz	93dB
1710MHz	85dB
2170MHz	75dB
2400MHz	75dB
2700MHz	84dB

单击下面可查看定价，库存，交付和生命周期等信息

[>>Pulse\(普思\)](#)