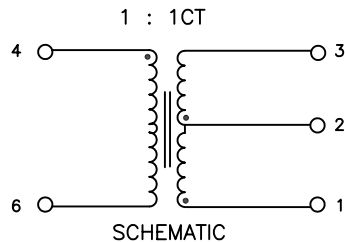


CX2147NL

- RF TRANSFORMER, 1:1CT
- 5-100 MHz
- IMPEDANCE = 75 OHMS
- SURFACE MOUNT

NOTES: UNLESS OTHERWISE SPECIFIED:

1. OPERATING TEMPERATURE: -40°C TO +85°C
2. STORAGE TEMPERATURE: -50°C TO +125°C
3. JEDEC MOISTURE SENSITIVITY LEVEL 1
4. DIMENSIONS ARE IN MILLIMETERS [INCHES] WITH THE FOLLOWING TOLERANCES:
.X = ±0.3 [±.012]
.XX = ±0.10 [±.004]
5. OPTIONAL TAPE & REEL PACKAGING CAN BE ORDERED BY ADDING A "T" SUFFIX TO THE PART NUMBER. ie: CX2147NLT
6. ROHS COMPLIANT

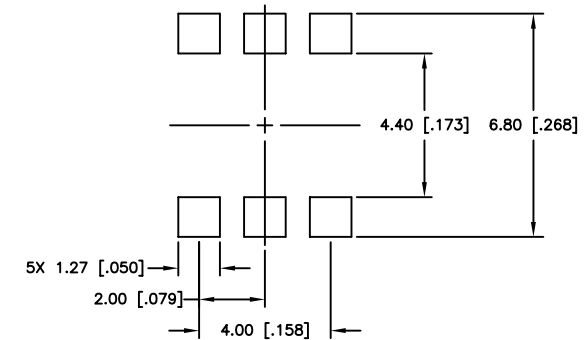
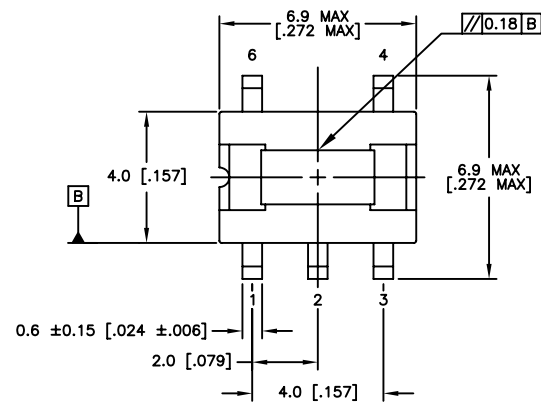


ELECTRICAL SPECIFICATIONS: @ 25°C

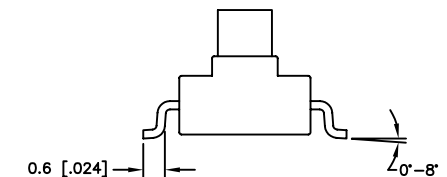
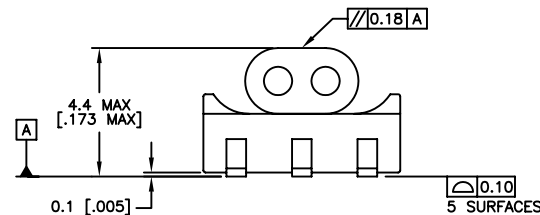
INSERTION LOSS:

FREQUENCY	ATTENUATION
5 MHz	-1.0 dB MAX
10 MHz	-1.0 dB MAX
65 MHz	-1.0 dB MAX
100 MHz	-2.0 dB MAX
200 MHz	-2.0 dB MAX

MECHANICAL SPECIFICATIONS:



SUGGESTED LAND PATTERN



© Copyright, 2014. Pulse Electronics Corp. All rights reserved. Drawing specifications subject to change without notice. (02/13/14)

PULSE CONFIDENTIAL
&
PROPRIETARY

PRODUCT SPECIFICATION:
XFMR, RF, SGL, 1:1CT, 5-100MHz, KAYAK9

DWG. NO./ PART NO.	SHEET:	REV.
CX2147NL	1	M11

单击下面可查看定价，库存，交付和生命周期等信息

[>>Pulse\(普思\)](#)