

Pulse Part Number NMOHFGPS Family

Pulse/Larsen’s line of NMO mount antennas include low band all the way to 5.9 GHz. These antennas are designed for use in public safety, search and rescue, trucking, commercial fleets, GIS, and survey/mapping markets. Multiband designs are ideal for applications requiring GPS tracking and data transmission.



With the new NMOHFGPS series, Pulse/Larsen has combined the high performance of a GPS antenna with the flexibility of adding an NMO high frequency mount on the top for easy combination with virtually any Pulse/Larsen NMO mount antenna from 27 MHz to 6.0 GHz. Simply pull the center pin and insulator to convert from low frequency to high frequency applications. Pulling the center pin creates a coax-type connection optimal for high frequency applications. The larger center contact pin provides additional strength against downward compression during low frequency installations, resulting in better “Low Frequency” VSWR.

Features

- Easily Converts from Low to High Frequency Use
- Large Center Contact Pin for Better VSWR
- Combines NMOHF Mount with a GPS LNA Module
- RoHS Compliant Product

Applications

- Public Safety, Search and Rescue
- AVL (Automatic Vehicle Location)
- Survey/Mapping

Part Number	Connector
NMOHFGPSNOCONN	No Connectors
NMOHFGPSFMENOCNN	FME Female / No Connector (GPS)
NMOHFGPSFMESMA	FME Female / SMA Male (GPS)
NMOHFGPSSMASMA	SMA Male / SMA Male (GPS)

Roof Mount NMOHFGPS

Pulse Part Number NMOHFGPS Family

Electrical Specifications - Mount Only

	Nominal Impedance [Ω]	50
	Output VSWR	2.0:1
	Polarization	Right Hand Circular
	DC Resistance [$k\Omega$]	5
Cable	Type [NMOHF]	RG-58
	Type [GPS]	RG-174
	Length - NMOHF [Feet/ Meters]	17 / 5.18
	Length - GPS [Feet/Meters]	17 / 5.18

GPS Specifications

Frequency [MHz]	1574.4-1576.4
5V Gain [dBic / dB \pm 2]	5 / 26
Current Draw [mA Max]	25
Voltage [V DC]	3 - 5

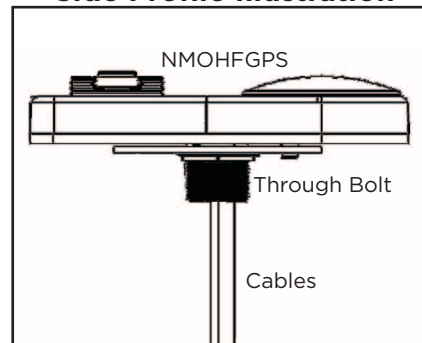
Environmental Specifications

Operating Temperature [$^{\circ}$ C]	-40 to +85
Storage Temperature [$^{\circ}$ C]	-40 to +85

Mechanical Specifications

Radome Material	Makroblend (UV Stable)
Color	Black
Ingress Protection	IP-65
Wind-loading [mph]	150
Dimensions [Inches/mm]	2 x 1.5 x 0.7 / 50.8 x 338.1 x 17.78
Mounting	Direct feed, 3/4" threaded through hole [see illustration]

Side Profile Illustration



单击下面可查看定价，库存，交付和生命周期等信息

[>>Pulse\(普思\)](#)