

# DATA SHEET

## WIRELESS COMPONENTS

Ceramic Chip Antenna

ANT3216A063R2400A

2.4 - 2.5GHZ

3216 Series



FEATURES

- Compact size
- Omni-directional Radiation
- Tape & reel automatic mounting
- Reflow process compatible
- RoHS compliant

APPLICATIONS

- 2.4GHz WiFi device
- Bluetooth gadget
- Zigbee device
- ISM band equipment

ORDERING INFORMATION

All part numbers are identified by the series, packing type, material, size, antenna type, working frequency and packing quantity.

**PART NUMBER**

**ANT 3216 A 063 R 2400A**  
 (1) (2) (3) (4) (5) (6)

---

**(1) PRODUCT**

ANT = Antenna

---

**(2) SIZE**

3216 = 3.2 × 1.6 mm

---

**(3) ANTENNA TYPE**

L,F,A = Chip Antenna

---

**(4) SERIAL NO.**

063

---

**(5) PACKING STYLE**

R = Tape and Reel

---

**(6) WORKING FREQUENCY**

2400 = 2.4GHz

---

**PHYCOMP CTC**

CAN4311212632453K

---

**I2NC**

431121263245

---

**SPECIFICATION**

Table I

DESCRIPTION	VALUE
Centre Frequency	2.45 GHz
Bandwidth	230 MHz(Typ.)
Return Loss	10 dB min
Polarization	Linear
Azimuth Beamwidth	Omni-directional
Peak Gain	1.69 dBi(Typ.)
Impedance	50 Ω
Operating Temperature	- 40~105 °C
Maximum Power	1 W
Termination	Ni/Sn (Environmentally-Friendly Leadless)
Resistance to Soldering Heats	260°C , 10sec.

**NOTE**

I. The specification is defined on Yageo evaluation board

**DIMENSIONS**

Table 2 Machinical Dimension

	DIMENSION
L (mm)	3.05 ± 0.10
W (mm)	1.55 ± 0.10
T (mm)	0.55 ± 0.10
A (mm)	0.40 ± 0.10

**OUTLINES**

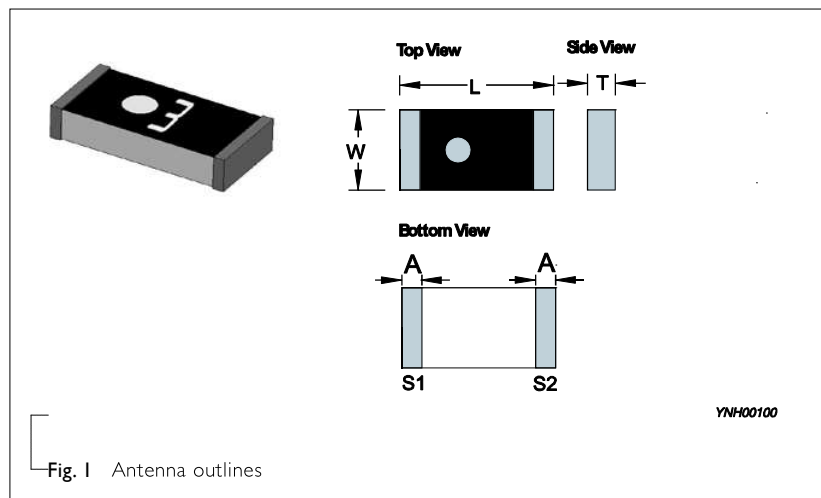
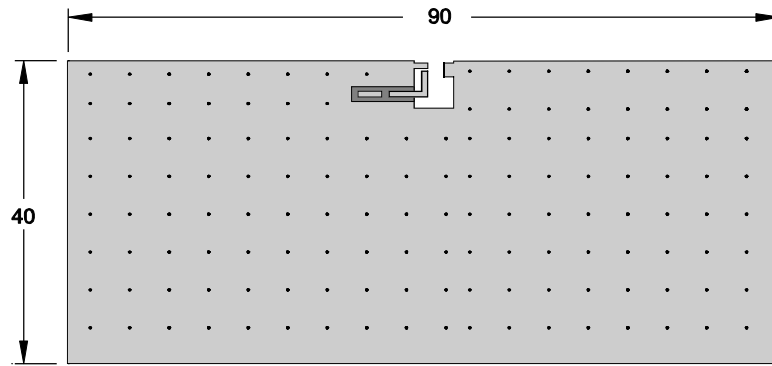


Table 3 Termination configuration

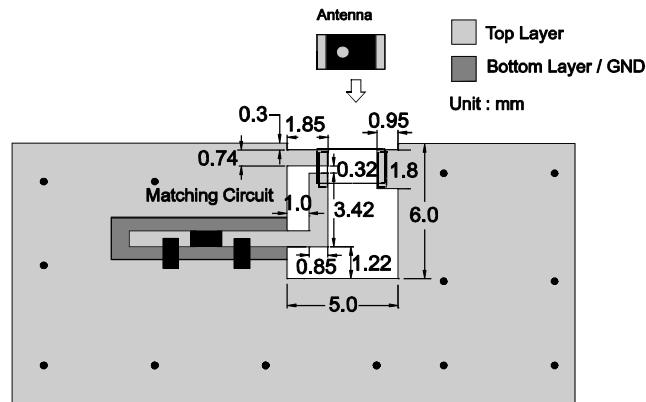
TERMINAL NAME	FUNCTION
S1	Feeding Point
S2	GND

REFERENCE DESIGN OF EVALUATION BOARD



Unit : mm

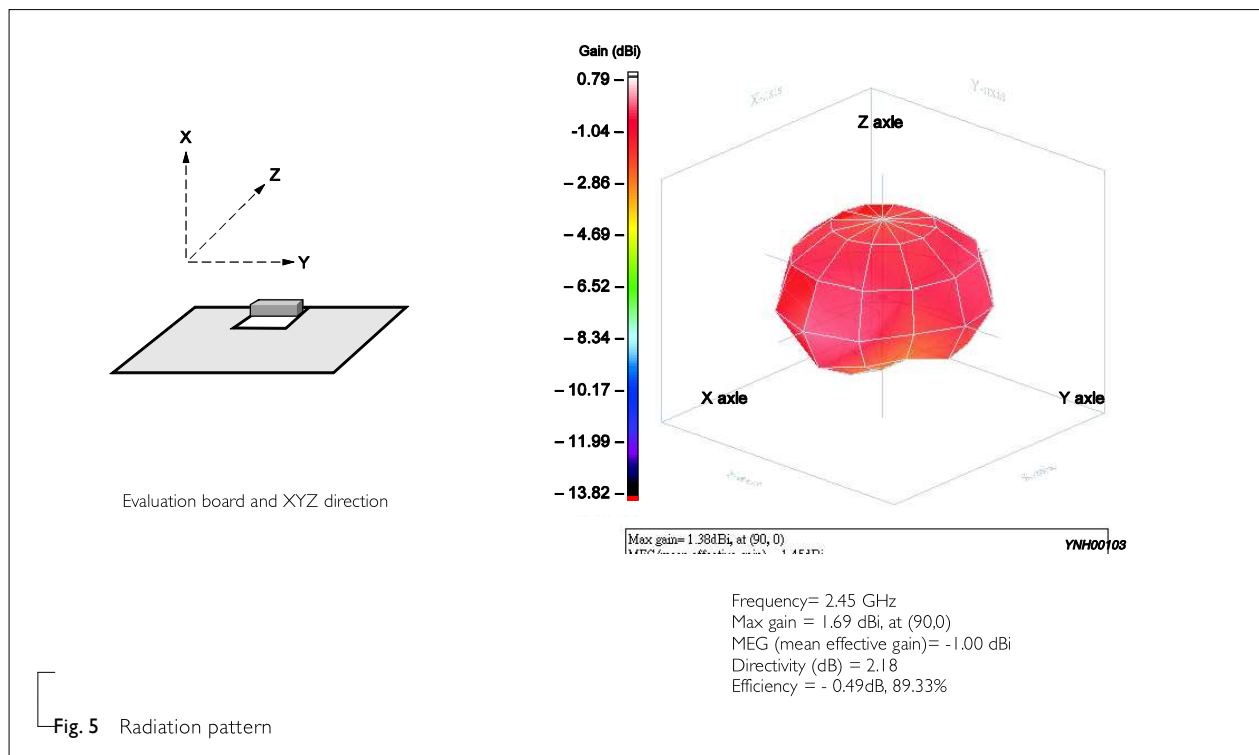
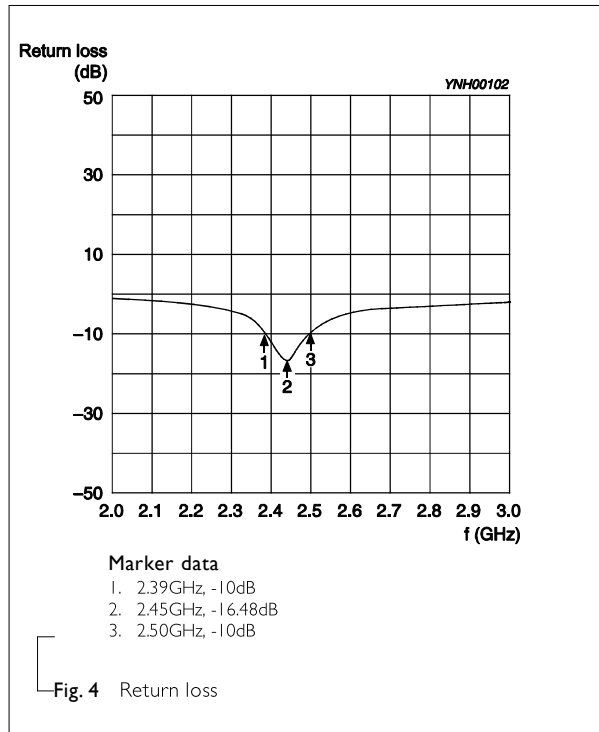
Fig. 2 Outlook and dimension of evaluation board



YNH00101

Fig. 3 Details of soldering Pad

**ELECTRICAL PERFORMANCES**



REVISION HISTORY

REVISION	DATE	CHANGE NOTIFICATION	DESCRIPTION
Version 0	Feb. 19, 2014	-	- New data sheet for SMD type antenna, 2.45GHz application, 3216 series PIFA mode

单击下面可查看定价，库存，交付和生命周期等信息

[>>Pulse\(普思\)](#)