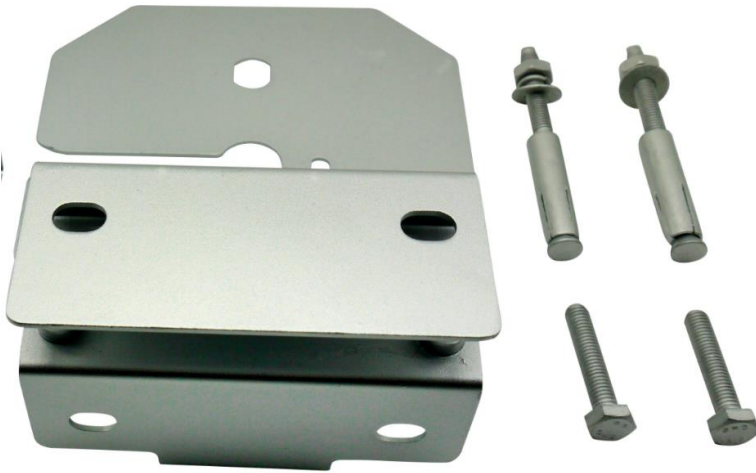


**Description:** Do-Everything Antenna Bracket

**Series:** Antenna Accessories

**PART NUMBER:** BRKXXXX



**Features:**

- Universal multipurpose design
- U-Bolts & washers included
- Weight 1.54 lb
- Material: Carbon Steel
- RoHS compliant
- Features for cable management



**Applications:**

- I-beam mounting
- Ceiling mounting
- Pole mounting
- Wall mounting
- Fits a variety of antenna types:
  - Direct mount antenna with radome. (BRK0003; BRK0004)
  - Baton style omni antennas (BRK0003; BRK0004)
  - Adhesive mount antennas
  - NMO mount (BRK0005)
  - DAS antenna (BRK0005)

All dimensions are in mm / inches

Issue: 1912

In the effort to improve our products, we reserve the right to make changes judged to be necessary.

CONFIDENTIAL AND PROPRIETARY INFORMATION

This document contains confidential and proprietary information of Pulse Electronics, Inc. (Pulse) and is protected by copyright, trade secret and other state and federal laws. Its receipt or possession does not convey any rights to reproduce, disclose its contents, or to manufacture, use or sell anything it may describe. Reproduction, disclosure or use without specific written authorization of Pulse is strictly forbidden.

For more information:

Pulse Worldwide Headquarters  
15255 Innovation Drive #100  
San Diego, CA 92128  
USA  
Tel: 1-858-674-8100

Pulse/Larsen Antennas  
18110 SE 34<sup>th</sup> St Bldg 2 Suite 250  
Vancouver, WA 98683  
USA  
Tel: 1-360-944-7551

Europe Headquarters  
Pulse GmbH & Do, KG  
Zeppelinstrasse 15  
Herrenberg, Germany

Pulse (Suzhou) Wireless Products Co, Inc.  
99 Huo Ju Road(#29 Bldg,4<sup>th</sup> Phase  
Suzhou New District  
Jiangsu Province, Suzhou 215009 PR China  
Tel: 86 512 6807 9998

**Description:** Do-Everything Antenna Bracket

**Series:** Antenna Accessories

**PART NUMBER:** BRKXXXX

**MECHANICAL SPECIFICATIONS**

Overall Length	8.23x6.30x2.95 inch
Weight	1.54 lb (Just bracket weight)
Material	Carbon Steel with Dacromet finish (see Appendix A for details)

**ENVIRONMENTAL SPECIFICATIONS**

Operating Temperature	-40~+85°C
Storage Temperature	-40~+85°C
RoHS Compliant	Yes
Salt Mist	96H

**MECHANICAL COMPONENTS**

P/N	COMPONENTS	WEIGHT
BRK0003	Bracket + 2pcs Plug Bolt + 2pcs M8 Bolt + 1set “U” bolt	1KG
BRK0004	Bracket + 2pcs Plug Bolt + 2pcs M8 Bolt	0.8KG
BRK0005	Bracket + 2pcs Plug Bolt + 2pcs M8 Bolt + 1set “U” bolt	1KG



Issue: 1912

In the effort to improve our products, we reserve the right to make changes judged to be necessary.

CONFIDENTIAL AND PROPRIETARY INFORMATION

This document contains confidential and proprietary information of Pulse Electronics, Inc. (Pulse) and is protected by copyright, trade secret and other state and federal laws. Its receipt or possession does not convey any rights to reproduce, disclose its contents, or to manufacture, use or sell anything it may describe. Reproduction, disclosure or use without specific written authorization of Pulse is strictly forbidden.

**Description:** Do-Everything Antenna Bracket

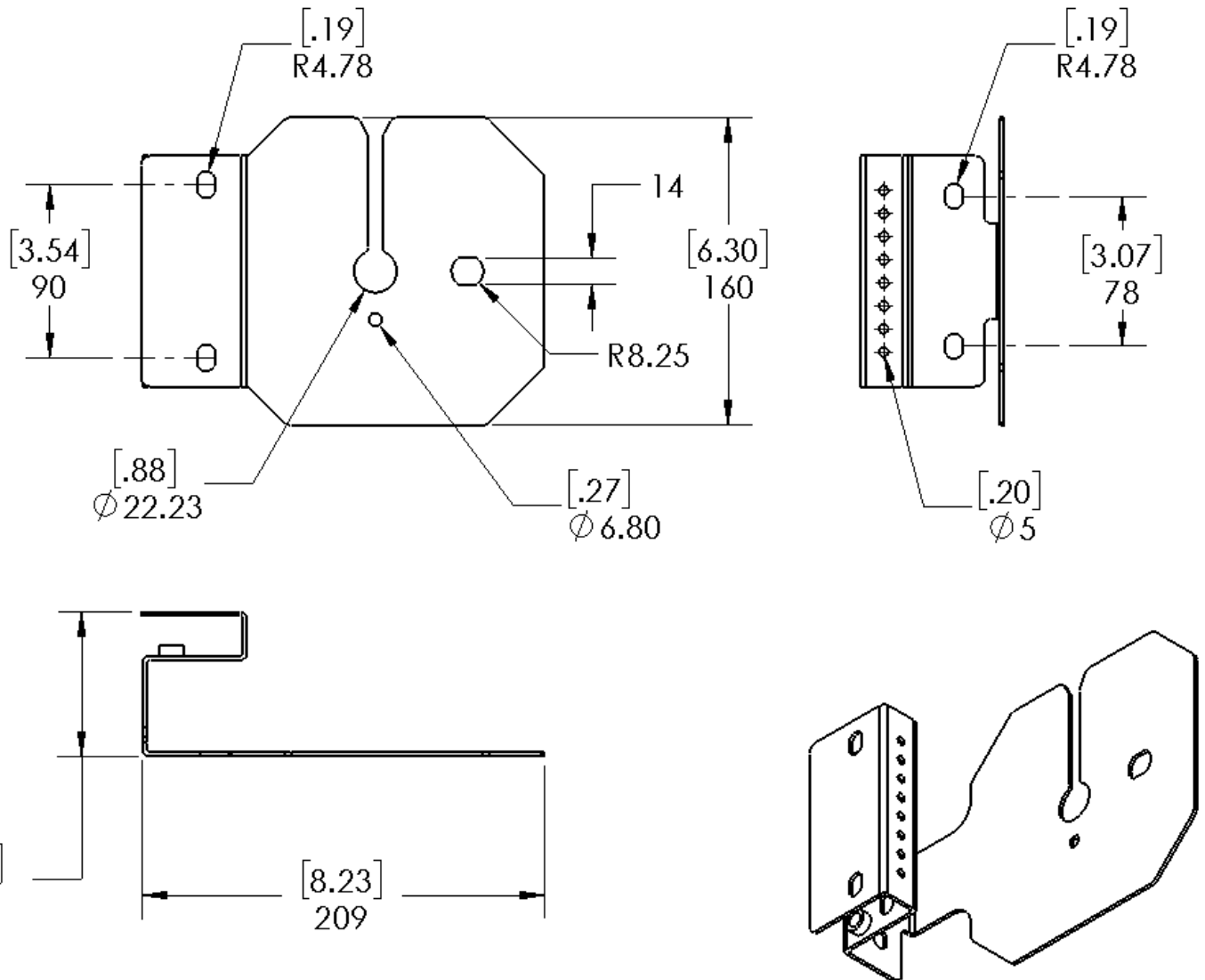
**Series:** Antenna Accessories

**PART NUMBER:** BRKXXXX

**MECHANICAL DRAWING**

**BRACKET (BRK0003; BRK0004)**

Direct Mount, Multiband and SMA Bulkhead Antennas



Issue: 1912

In the effort to improve our products, we reserve the right to make changes judged to be necessary.

CONFIDENTIAL AND PROPRIETARY INFORMATION

This document contains confidential and proprietary information of Pulse Electronics, Inc. (Pulse) and is protected by copyright, trade secret and other state and federal laws. Its receipt or possession does not convey any rights to reproduce, disclose its contents, or to manufacture, use or sell anything it may describe. Reproduction, disclosure or use without specific written authorization of Pulse is strictly forbidden.

**Description:** Do-Everything Antenna Bracket

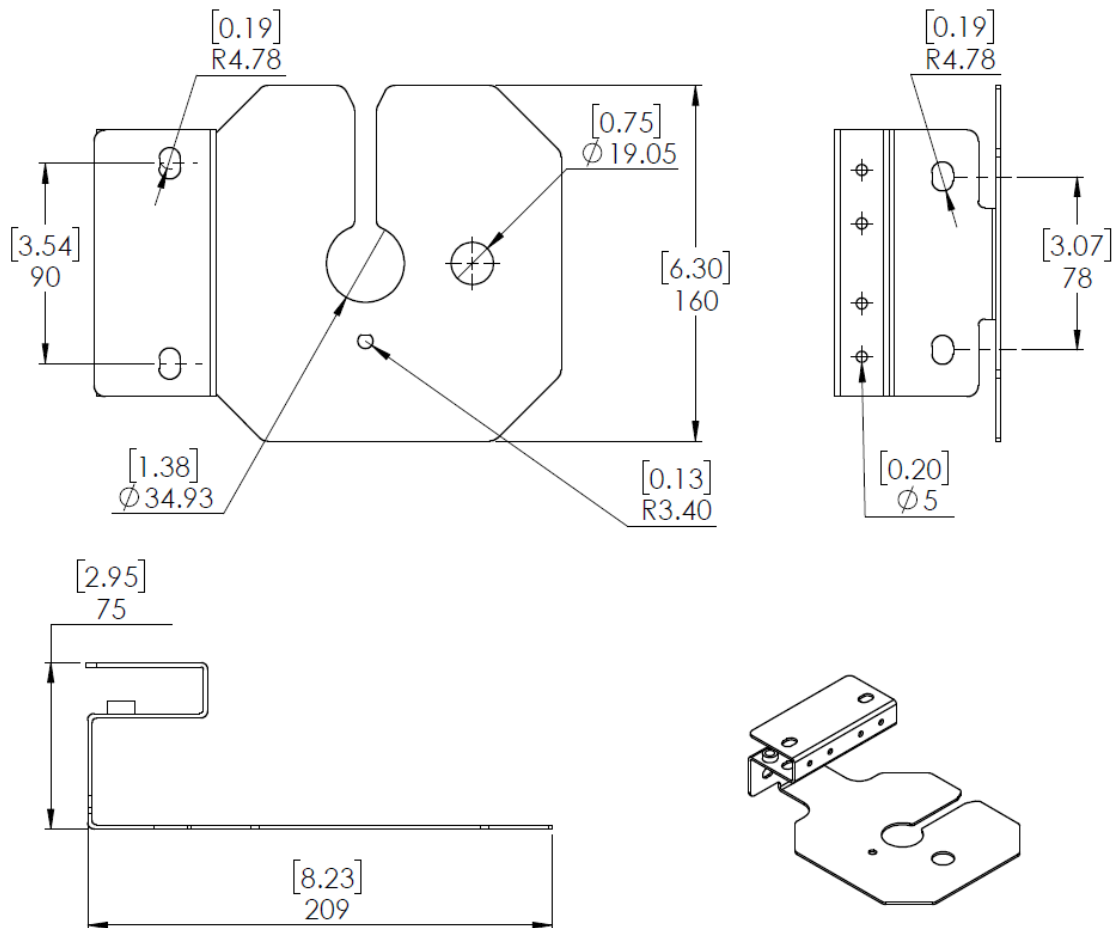
**Series:** Antenna Accessories

**PART NUMBER:** BRKXXXX

MECHANICAL DRAWING

# BRACKET (BRK005)

DAS, NMO, and SMA Bulkhead Mounted Antennas



Issue: 1912

In the effort to improve our products, we reserve the right to make changes judged to be necessary.

CONFIDENTIAL AND PROPRIETARY INFORMATION

This document contains confidential and proprietary information of Pulse Electronics, Inc. (Pulse) and is protected by copyright, trade secret and other state and federal laws. Its receipt or possession does not convey any rights to reproduce, disclose its contents, or to manufacture, use or sell anything it may describe. Reproduction, disclosure or use without specific written authorization of Pulse is strictly forbidden.

**Description:** Do-Everything Antenna Bracket

**Series:** Antenna Accessories

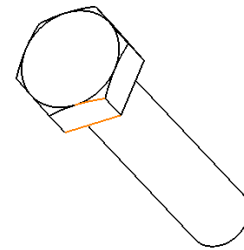
**PART NUMBER:** BRKXXXX

**MECHANICAL DRAWING**

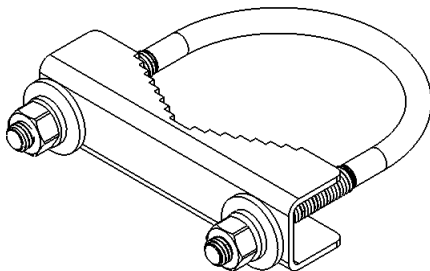
**Other Accessories:**

Choose necessary parts according to the using environment.

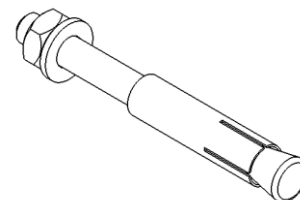
M8 bolt used for attachment to I-beam, "U" bolt used for attachment to pole, plug bolt used for attachment to wall.



2pcs M8 bolt



1sets pulse "U" type bolt



2pcs 5/16-18 UNC plug bolt  
Alternatively M8 Bolt may be used

**Description:** Do-Everything Antenna Bracket

**Series:** Antenna Accessories

**PART NUMBER:** BRKXXXX

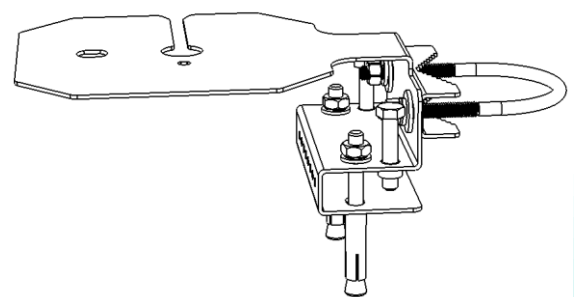
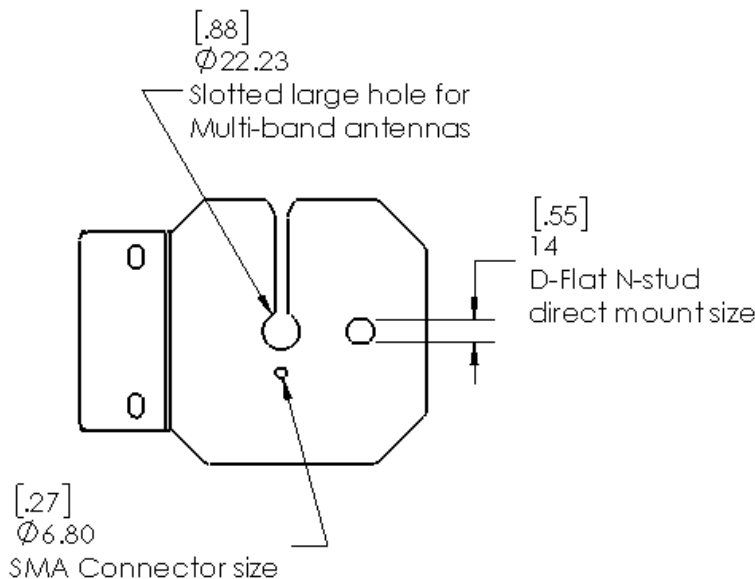
### Installation Instruction

## INSTALLATION(BRK0003; BRK0004):

This Bracket is used to allow Pulse multi-band antennas , radome omni-antennas and small stick antenna to be attached to I-beam, pole and to wall.

3 Hole Sizes for 3 types of antennas:

- Slotted large hole for Multi-band antennas
- D-Flat N-stud direct mount size
- SMA Bulkhead Connector size



Issue: 1912

In the effort to improve our products, we reserve the right to make changes judged to be necessary.

CONFIDENTIAL AND PROPRIETARY INFORMATION

This document contains confidential and proprietary information of Pulse Electronics, Inc. (Pulse) and is protected by copyright, trade secret and other state and federal laws. Its receipt or possession does not convey any rights to reproduce, disclose its contents, or to manufacture, use or sell anything it may describe. Reproduction, disclosure or use without specific written authorization of Pulse is strictly forbidden.

**Description:** Do-Everything Antenna Bracket

**Series:** Antenna Accessories

**PART NUMBER:** BRKXXXX

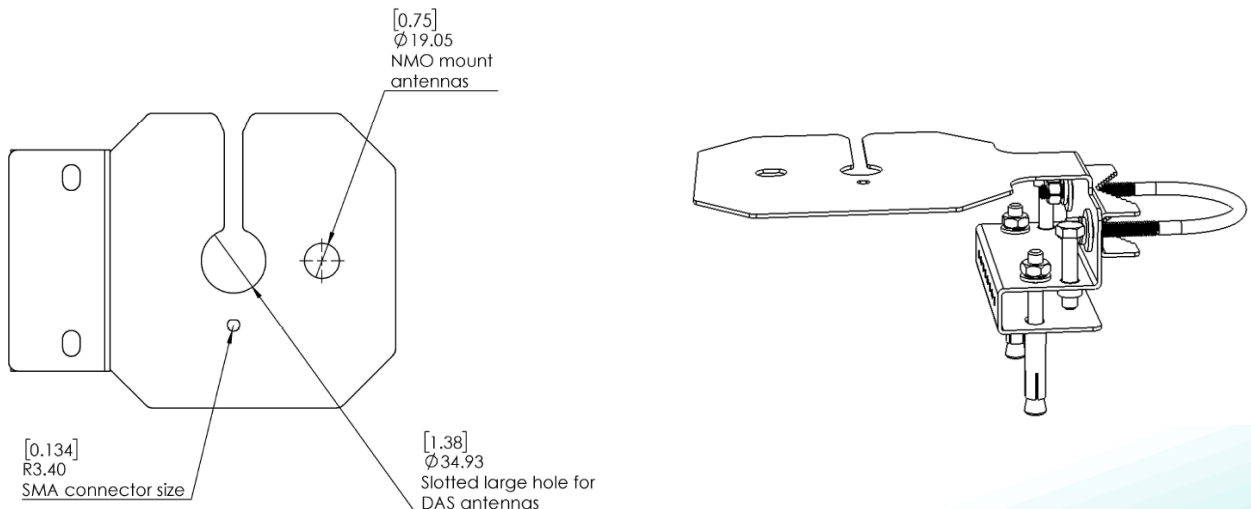
## Installation Instruction

# INSTALLATION (BRK0005):

This Bracket is used to allow Pulse DAS antennas, NMO antennas and small stick antenna to be attached to I-beam, pole and to wall.

3 Hole Sizes for 3 types of antennas:

- Slotted large hole for DAS antennas
- NMO direct mount antennas.
- SMA Bulkhead Connector size



Issue: 1912

In the effort to improve our products, we reserve the right to make changes judged to be necessary.

CONFIDENTIAL AND PROPRIETARY INFORMATION

This document contains confidential and proprietary information of Pulse Electronics, Inc. (Pulse) and is protected by copyright, trade secret and other state and federal laws. Its receipt or possession does not convey any rights to reproduce, disclose its contents, or to manufacture, use or sell anything it may describe. Reproduction, disclosure or use without specific written authorization of Pulse is strictly forbidden.

**Description:** Do-Everything Antenna Bracket

**Series:** Antenna Accessories

**PART NUMBER:** BRKXXXX

**Installation small stick antennas to bracket**

1. As shown in Figures 2&3. assemble jumper to bracket ,and then install small stick antenna as shown in Figure 1.

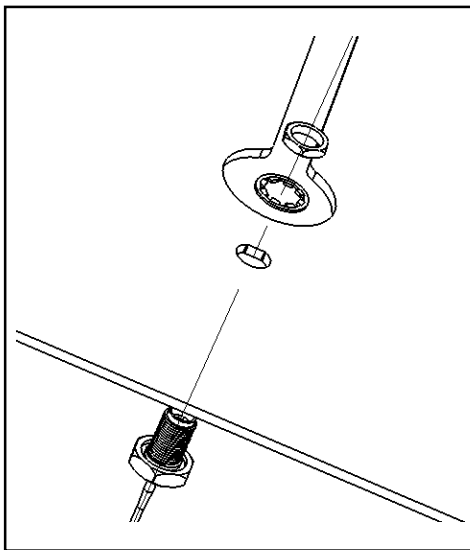


Figure 2.

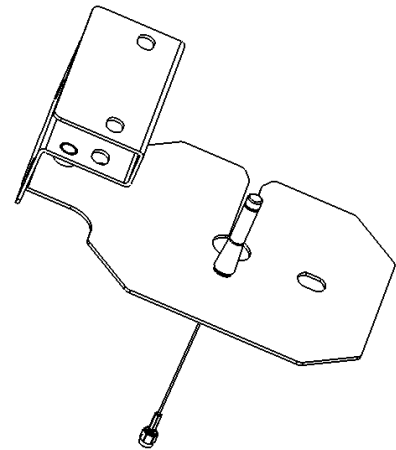


Figure 1.

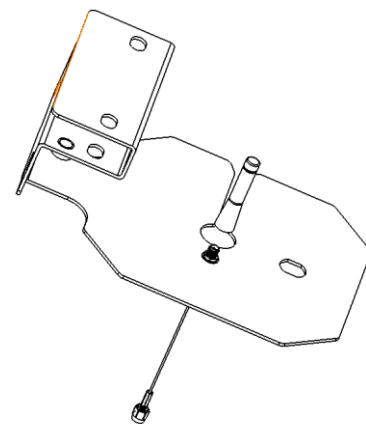


Figure 3.



**Description: Do-Everything Antenna Bracket**

**Series: Antenna Accessories**

**PART NUMBER: BRKXXXX**

**Installation Instruction-attached to I-beam**

1. As shown in Figures 1 and 2, pre-assemble antenna to bracket.
2. As shown in Figures 3 and 4, attach the bracket + pre-assembled antenna to bottom edge surface, and antenna downward.
3. Bracket comments assemble with I-beam as below figure 5.

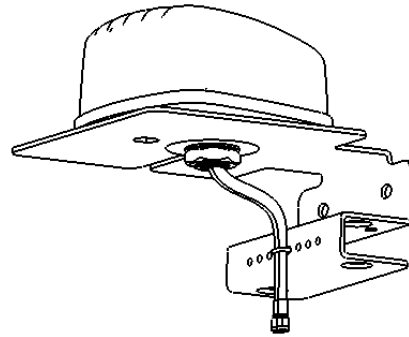


Figure 1.

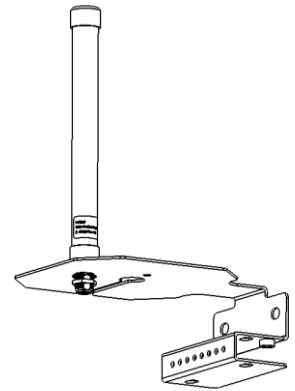


Figure 2.

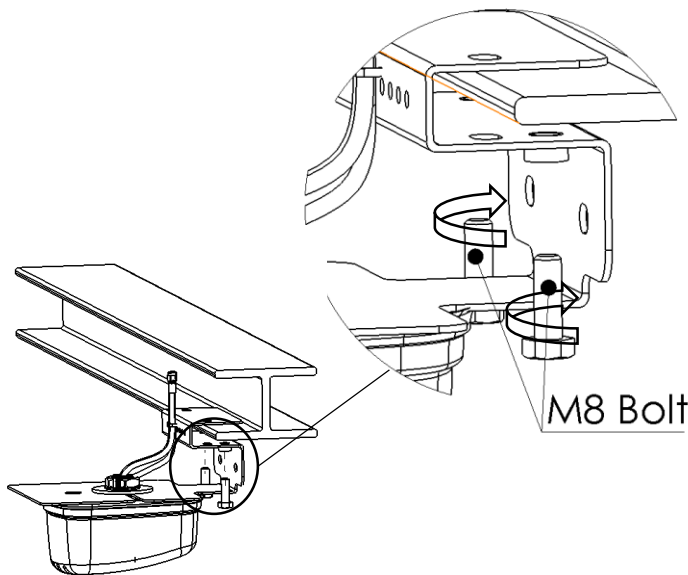


Figure 5.

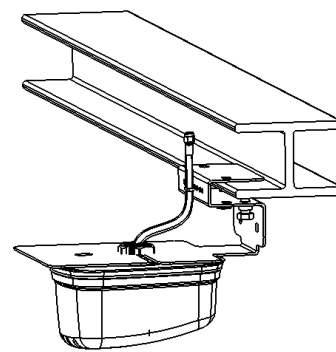


Figure 3.

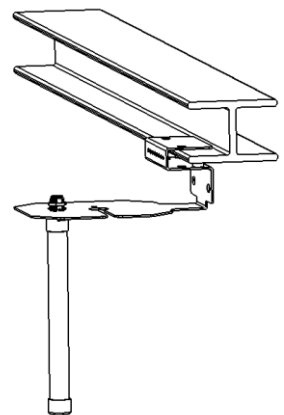


Figure 4.

**Description: Do-Everything Antenna Bracket**

**Series: Antenna Accessories**

**PART NUMBER: BRKXXXX**

**Installation Instruction-attached to vertical pole**

1. As shown in Figures 1 and 2, pre-assemble antenna to bracket.
2. As shown in Figures 3 and 4, attach the bracket + pre-assembled antenna to the top of pole, the top surface of the mounting pole should not exceed the top surface of the mounting bracket, otherwise the antenna radiation may be negatively affected.
3. Bracket components assemble as below figure 5.
4. Usable pipe max diameter 70mm.

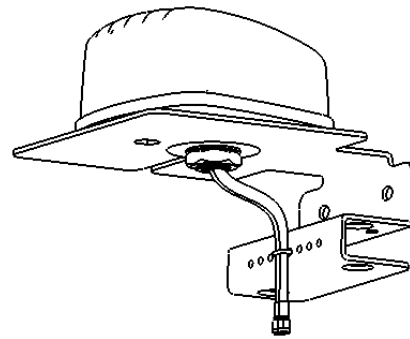


Figure 1.

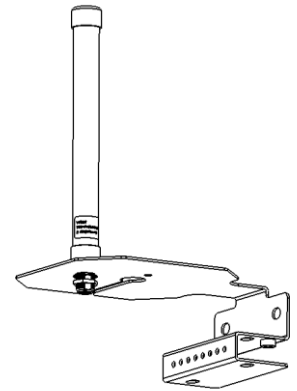


Figure 2.

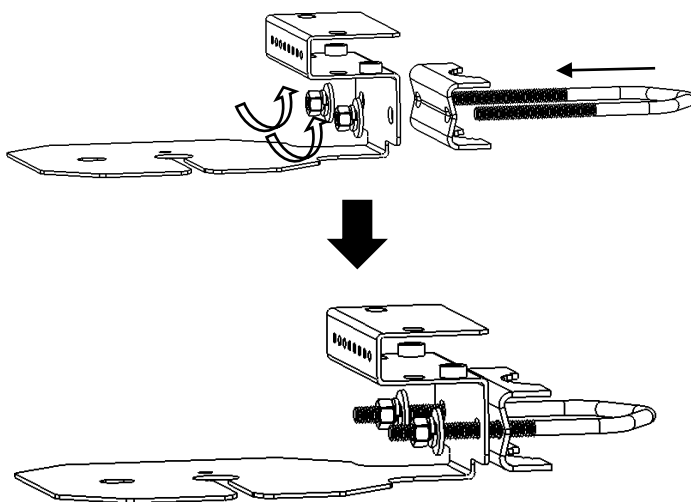


Figure 5.

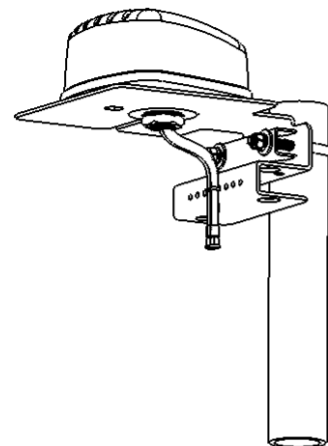


Figure 3.

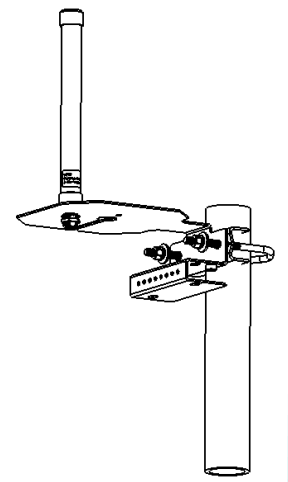


Figure 4.

**Description: Do-Everything Antenna Bracket**

**Series: Antenna Accessories**

**PART NUMBER: BRKXXXX**

**Installation Instruction-attached to wall**

1. As shown in Figures 1 and 2, pre-assemble antenna to bracket.
2. As shown in figure 5 ,drill a  $\Phi 12\text{mm}$  (  $\Phi 0.472''$  ) , 55mm (2.165'')depth hole one the wall .

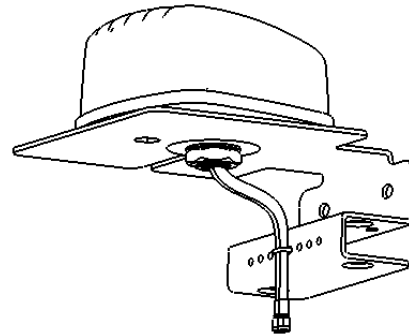


Figure 1.

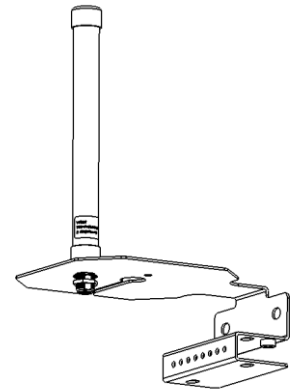


Figure 2.

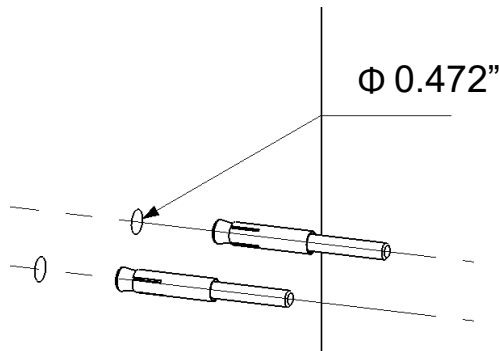


Figure 5.

3. Assemble bracket components as below figure 6

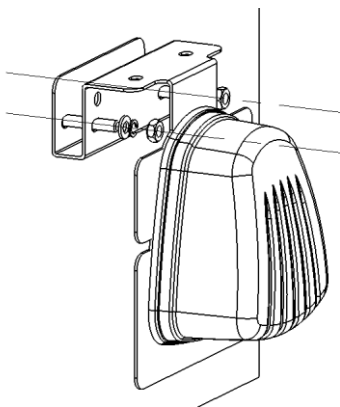


Figure 6.

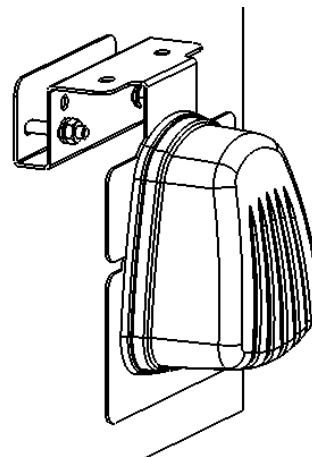


Figure 3.

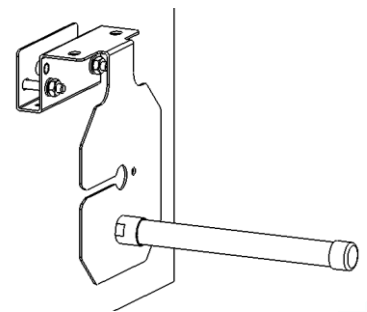


Figure 4.

**Description:** Do-Everything Antenna Bracket

**Series:** Antenna Accessories

**PART NUMBER:** BRKXXXX

## Environmental Conditions

### ● Humidity

Moisture resistance 6 cycles at 55°C

Paragraph 5.2 of standard NF-EN-60068-2-30

+95% RH @ +25°C for 12 h and +55°C for 12h in 6 cycles (= 6 days)

Total: 144 hours

### ● Salt Mist

96H NSS /Paragraph 6.5 of standard NF -EN ISO9227

5% NaCl spray for 96 h, @ +35°C , +95% RH

### ● Temperature Cycle

1. Room Temperature to -40°C (2hours)
2. Storage for 2 hours at -40°C
3. -40°C to 85°C (2hours)
4. Storage for 2 hours at 85°C
5. 85°C to -40°C (2hours)
6. Repeat from 2 to 5 for 5 cycles
7. -40°C increase to room temperature within 2 hours

**Description:** Do-Everything Antenna Bracket

**Series:** Antenna Accessories

**PART NUMBER:** BRKXXXX

## Environmental Conditions

### ● Storage Temperature

-40°C / +85°C

1. Room Temperature at -40°C within 2 hours;
2. Storage for 16 hours at -40°C ;
3. -40°C room temperature within 2 hours

Total: 20 hours

1. Room Temperature at +85°C within 2 hours
2. Storage for 16 hours at +85°C ;
3. +85°C room temperature within 2 hours

Total: 20 hours

**Description:** Do-Everything Antenna Bracket

**Series:** Antenna Accessories

**PART NUMBER:** BRKXXXX

## PACKAGING

1pc bracket per PE bag.

6pcs bracket per package box.

Package box: 558mm\*386mm\*210mm.

**Description:** Do-Everything Antenna Bracket

**Series:** Antenna Accessories

**PART NUMBER:** BRKXXXX

**APPLICATION**

**Attached To Pole**



Contact Factory for updated bracket details about installing bracket on horizontal pipe

Issue: 1912

In the effort to improve our products, we reserve the right to make changes judged to be necessary.

CONFIDENTIAL AND PROPRIETARY INFORMATION

This document contains confidential and proprietary information of Pulse Electronics, Inc. (Pulse) and is protected by copyright, trade secret and other state and federal laws. Its receipt or possession does not convey any rights to reproduce, disclose its contents, or to manufacture, use or sell anything it may describe. Reproduction, disclosure or use without specific written authorization of Pulse is strictly forbidden.

**Description:** Do-Everything Antenna Bracket

**Series:** Antenna Accessories

**PART NUMBER:** BRKXXXX

## APPLICATION

### Attached To I-Beam



Issue: 1912

In the effort to improve our products, we reserve the right to make changes judged to be necessary.

CONFIDENTIAL AND PROPRIETARY INFORMATION

This document contains confidential and proprietary information of Pulse Electronics, Inc. (Pulse) and is protected by copyright, trade secret and other state and federal laws. Its receipt or possession does not convey any rights to reproduce, disclose its contents, or to manufacture, use or sell anything it may describe. Reproduction, disclosure or use without specific written authorization of Pulse is strictly forbidden.

Downloaded From [Oneyac.com](http://Oneyac.com)



**Description:** Do-Everything Antenna Bracket

**Series:** Antenna Accessories

**PART NUMBER:** BRKXXXX

## APPENDIX A

Dacromet plating is a new type of surface treatment, compared with the traditional electroplating process, it is also a kind of "green" plating Dacromet. The benefits are:

1. **Super corrosion resistance:** the thickness of Dacromet coating is only 4 to 8 microns, but its rust prevention beats the traditional electric galvanized, hot dip galvanized coating by 7 to 10 times. Using Dacromet processing for standard parts can withstand salt spray test of 1200 h above.

2. **No hydrogen brittleness:** Dacromet process avoids hydrogen embrittlement phenomenon, so the dacromet coating is very suitable for mechanical parts.

3. **The high heat resistance:** Dacromet can resist the corrosion due to high temperature, heat temperature can reach more than 300 °C. For the traditional galvanized process, parts do not resist temperature over 100 °C.

4. **High binding force performance:** Dacromet coating has good adhesion with metal substrate, and with other additional coating has strong adhesion, after processing parts it is easy to spray painting, and the adhesion strength of the organic coating even better than the phosphating film.

单击下面可查看定价，库存，交付和生命周期等信息

[>>Pulse\(普思\)](#)