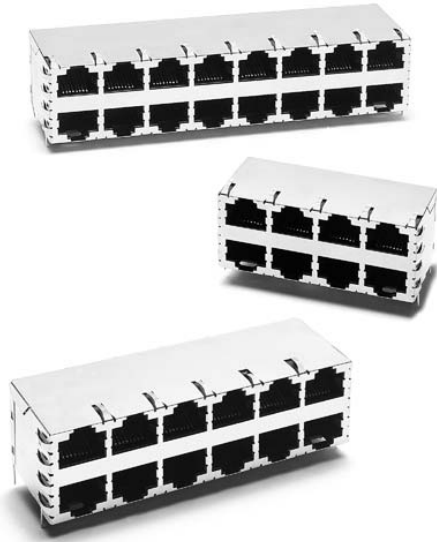


Description:

10/100/1000 Base-TX RJ45 2xN Integrated Magnetics Connector without LEDs, designed to support such applications as: Switches, Routers, Servers and Hub.



Features and Benefits:

- 2xN RJ45 with internal magnetics
- Suitable for CAT 3, 5, 6 UTP cable or better
- Internal magnetics are 100% electrically tested for HI-POT and functionality per IEEE802.3 requirement
- Meets or exceeds IEEE 802.3ab standard for 1000Base-T

Electrical Performance Summary:

- 350µH minimum OCL with 8mA bias current
- High performance for maximum EMI suppression
- Meets or exceeds IEEE 802.3ab standard for 1000Base-T

Electrical Specifications @ 25°C — Operating Temperature 0°C to +70°C

Part Number (Number of Ports)	Insertion Loss TX/RX (dB TYP)	Return Loss (dB TYP) 100Ω (±15%)			Crosstalk (dB TYP)			Common Mode Rejection (dB TYP)		Hipot (MIN)
		1-40 MHz	60 MHz	100 MHz	1-10 MHz	30-60 MHz	60-100 MHz	1-10 MHz	10-150 MHz	
JC0-0131 (2X4)	-0.8	-20	-17	-14	-40	-35	-30	50	40	2250Vdc
JC0-0132 (2X6)	-0.8	-20	-17	-14	-40	-35	-30	50	40	2250Vdc
JC0-0133 (2X8)	-0.8	-20	-17	-14	-40	-35	-30	50	40	2250Vdc

RJ45 Durability Test Rating

Part Number	Mating Force (MAX)	Unmating Force (MAX)	Durability	Plug to Jack Retention (MIN)
JC Series	5 lbs./2.268 kgs.	5 lbs./2.268 kgs.	750 Insertions	20 lbs./9.072 kgs.

RJ45 Material Specification

Part Number	Shield		Contact			Housing		MSL ² Rating
	Material	Finish	Material	Plating Area	Solder Area	Material	Specification	
JC Series	Brass	20-40µ inches thick nickel over brass	Phosphor Bronze	30µ inches gold over 30-50µ inches nickel	75-300µ inches tin-lead over 50-100µ inches nickel	Thermoplastic	UL 94 V-0	1

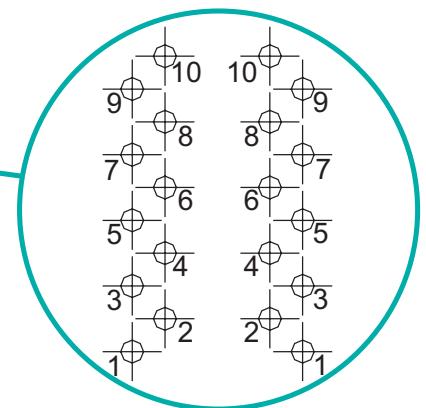
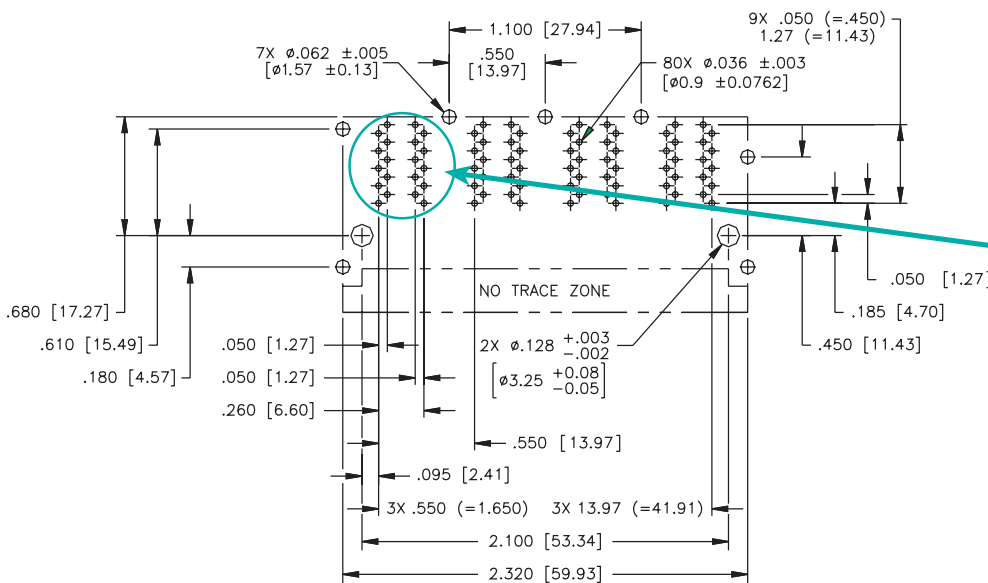
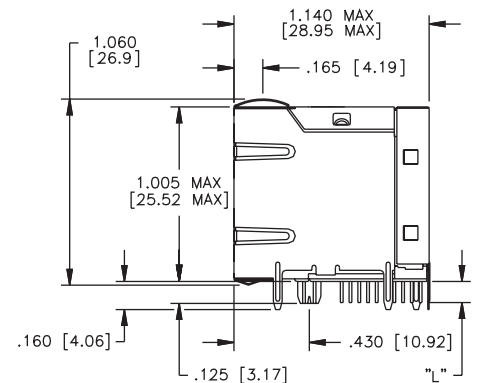
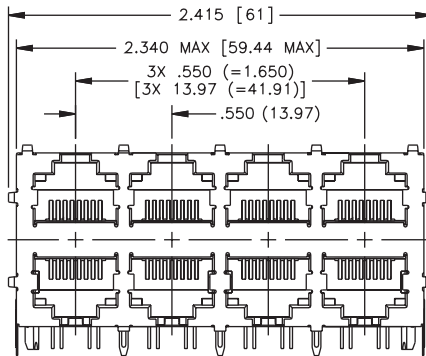
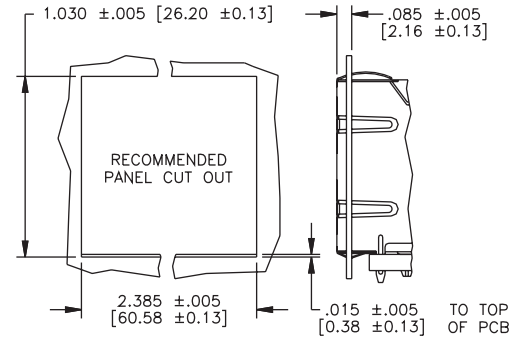
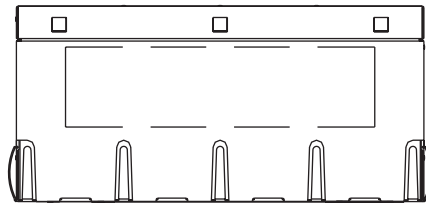
NOTES:

1. Connector dimensions comply with FCC dimension requirements..

2. MSL - Moisture Sensitivity Level class limits = 1 to 5 (Highest: 1; Lowest: 5).

2X4 Mechanicals (No LEDs)

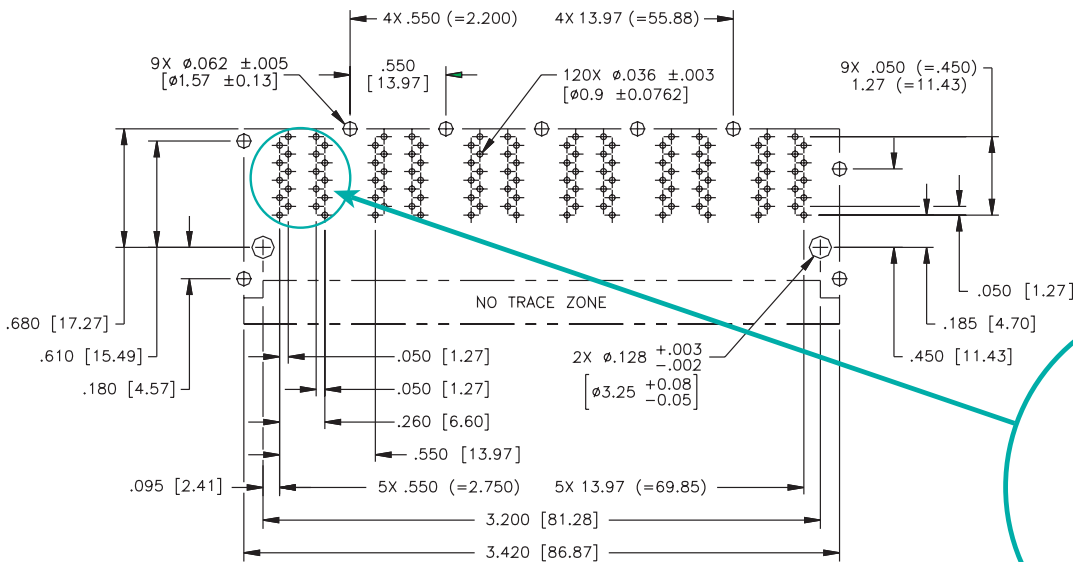
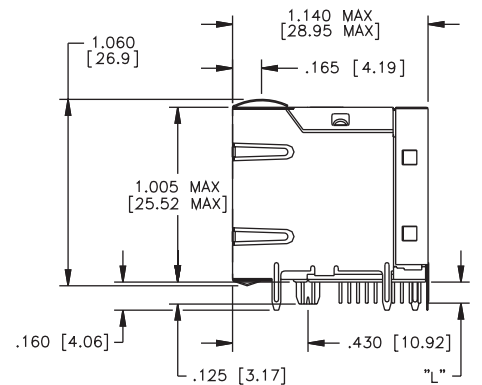
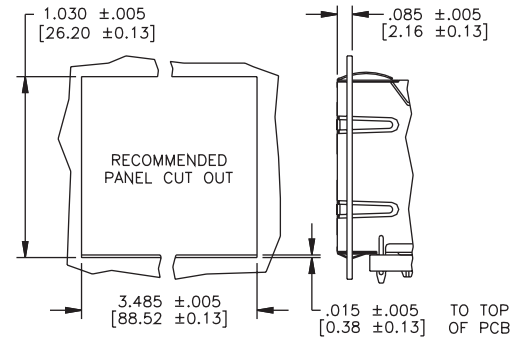
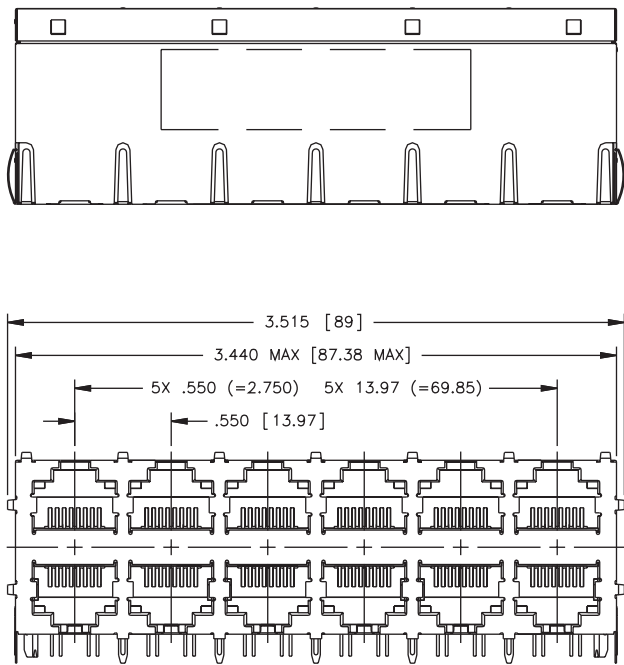
JC0-0131



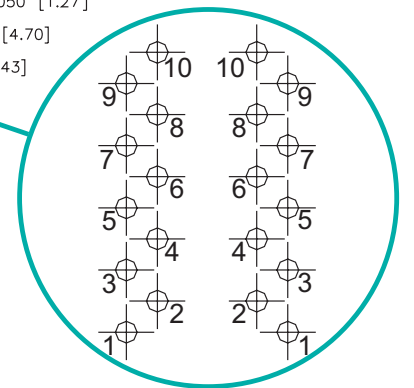
SUGGESTED PC BOARD LAYOUT VIEWED FROM COMPONENT SIDE
 UNLESS OTHERWISE SPECIFIED DIMENSIONAL TOLERANCE IS ±.002

2X6 Mechanicals (No LEDs)

JC0-0132



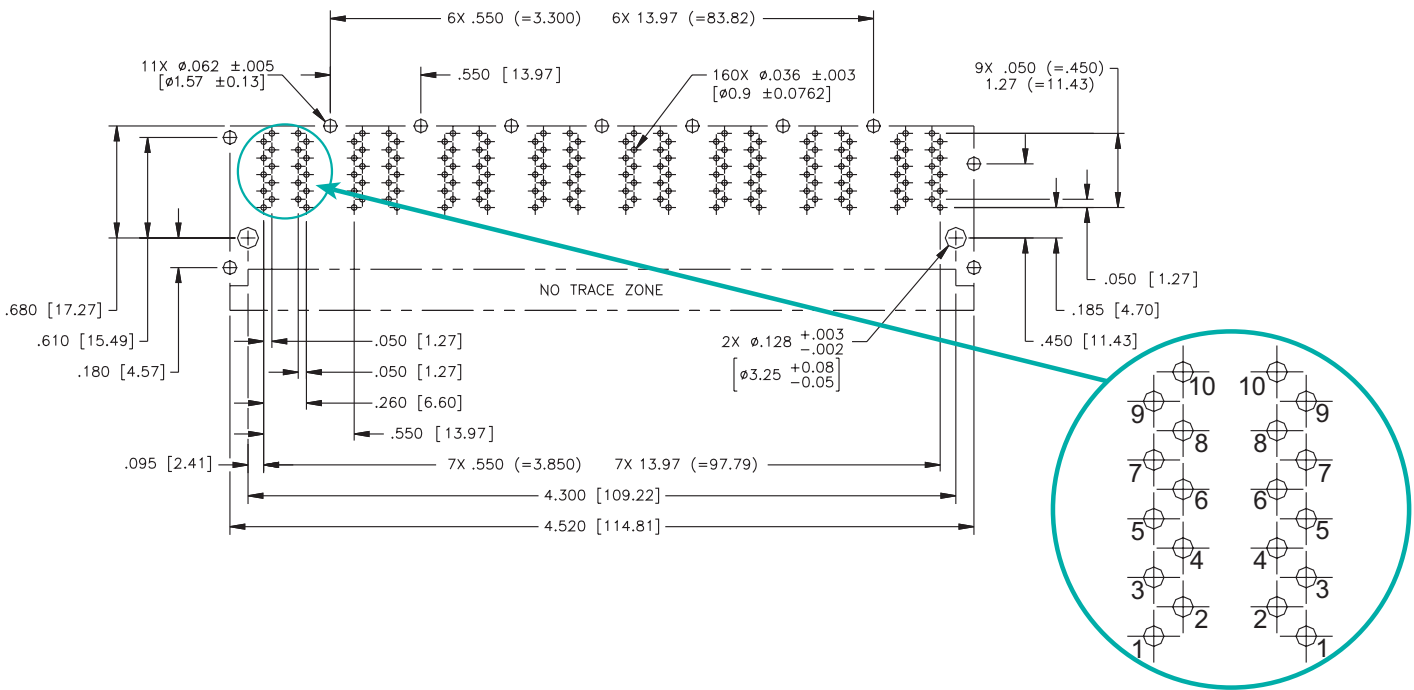
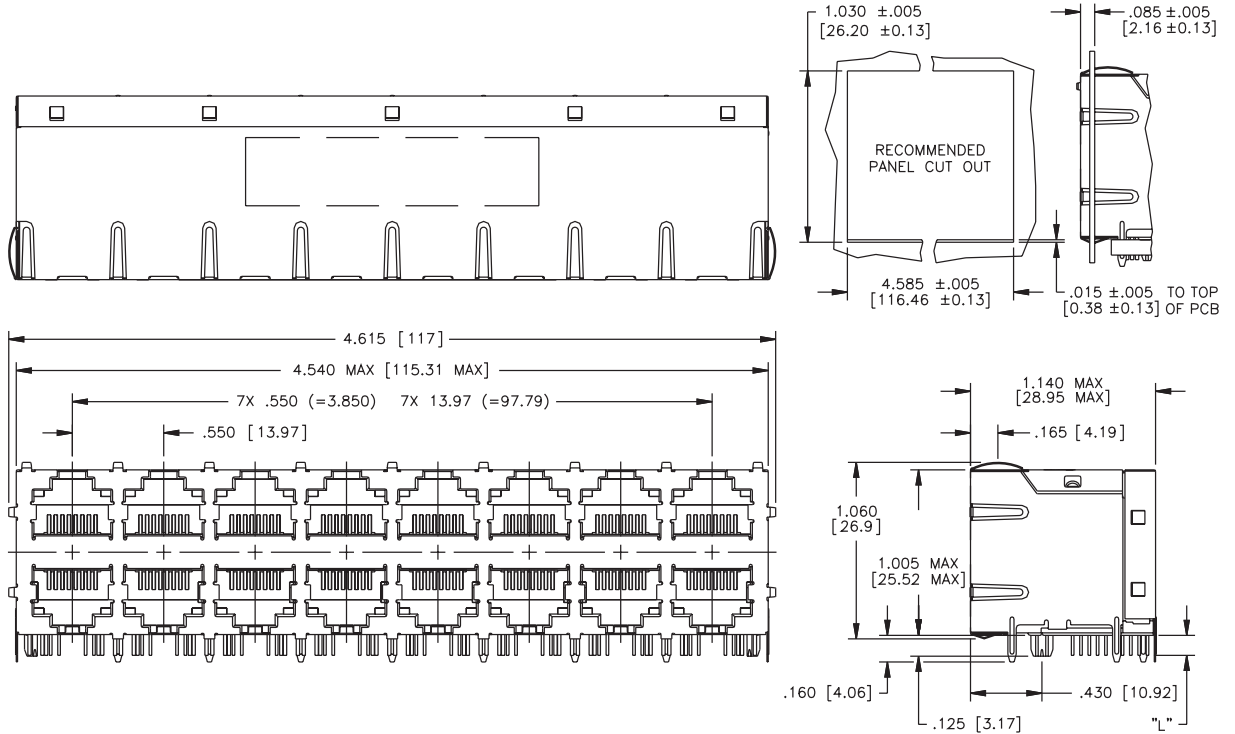
SUGGESTED PC BOARD LAYOUT VIEWED FROM COMPONENT SIDE
UNLESS OTHERWISE SPECIFIED DIMENSIONAL TOLERANCE IS ± 0.002



Pin-out Assignment

2X8 Mechanicals (No LEDs)

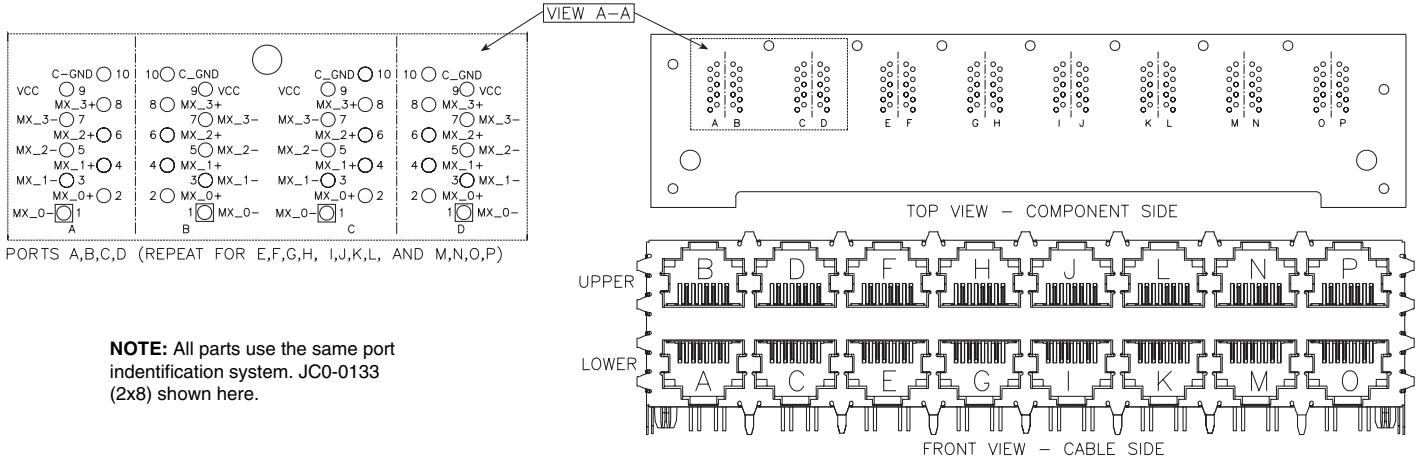
JC0-0133



Pin-out Assignment

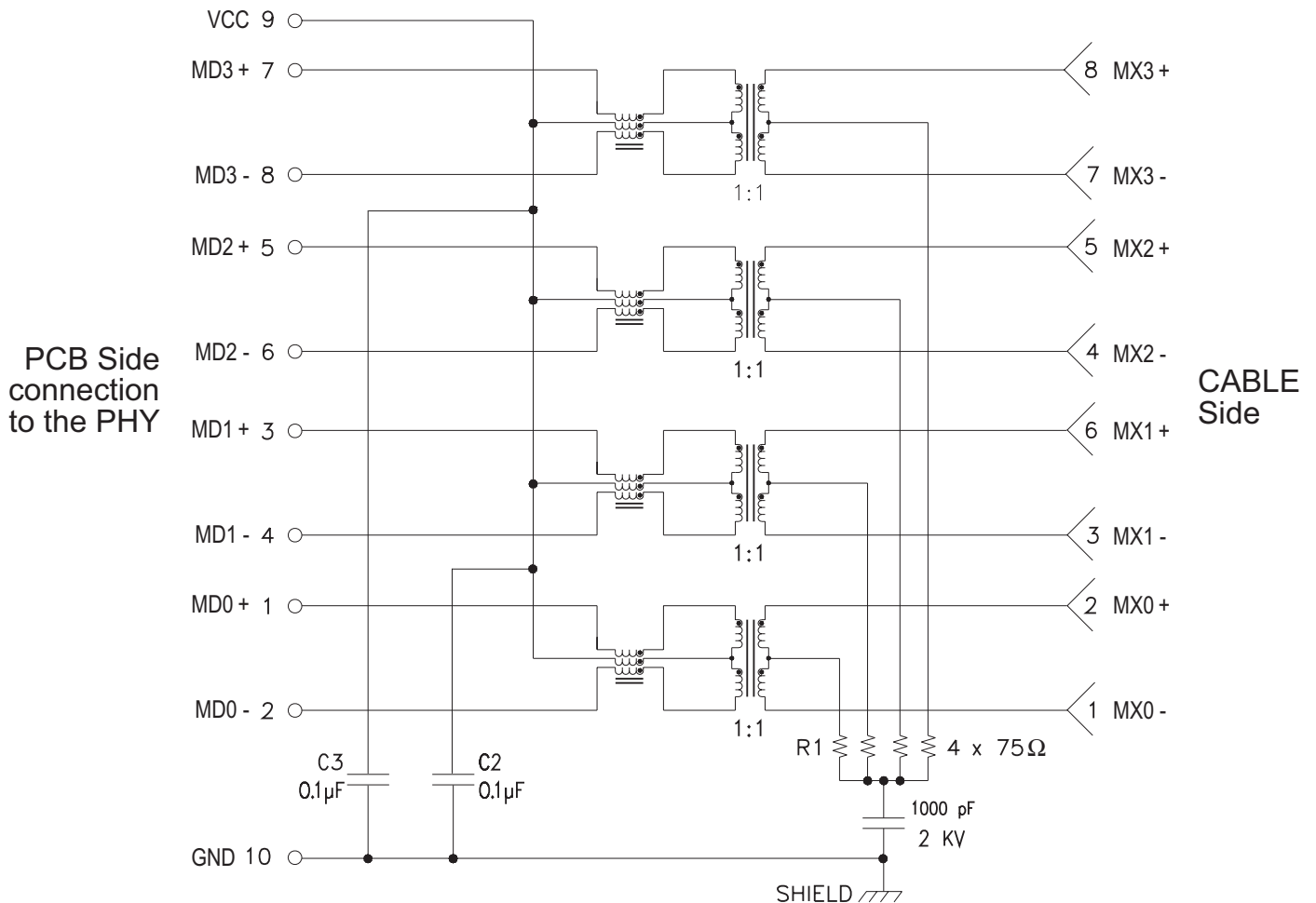
Pin-out Assignment

JC0-0131/32/33



NOTE: All parts use the same port identification system. JC0-0133 (2x8) shown here.

Schematic



2XN Gigstack Application Note

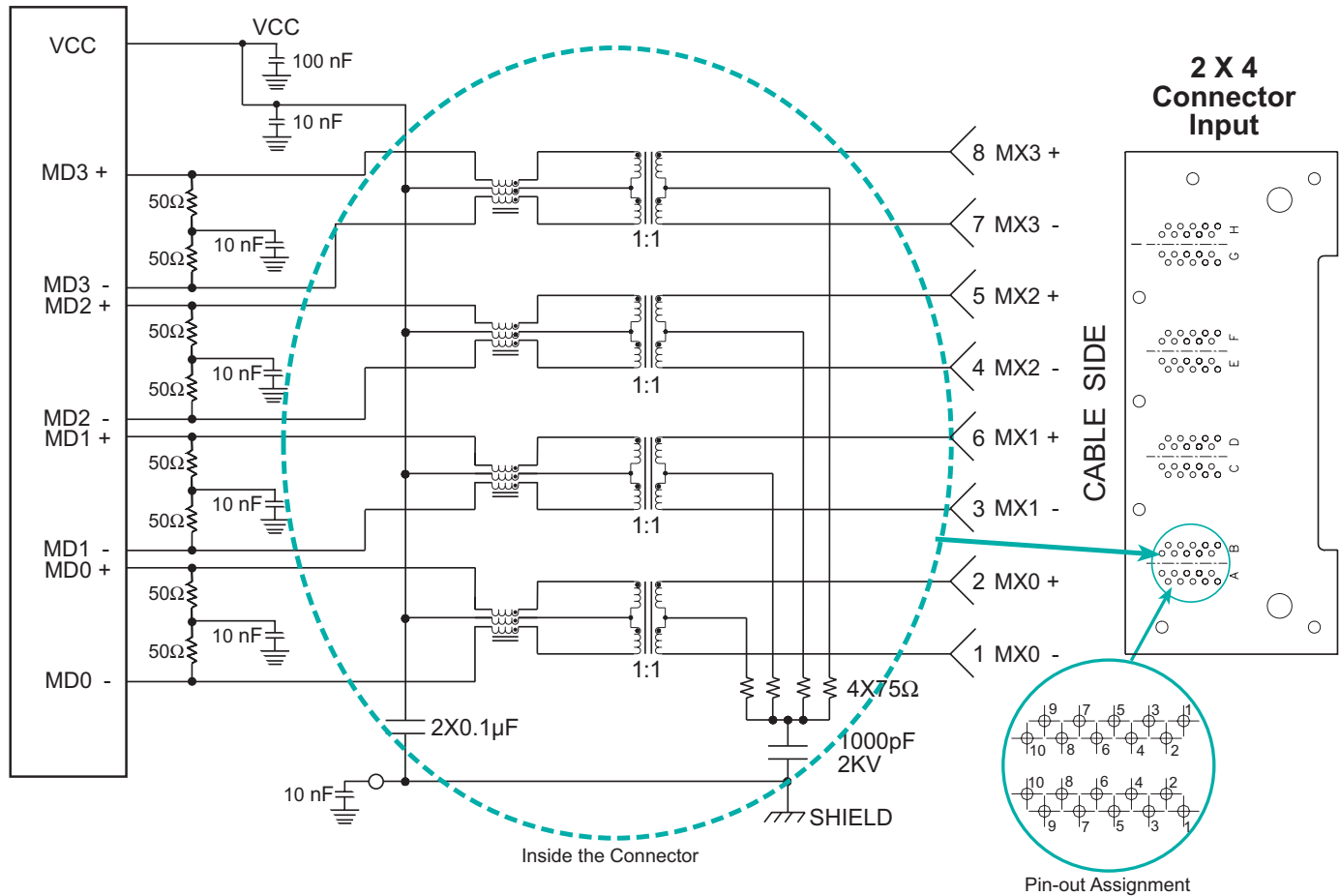
These Integrated Connector Modules are specifically designed for the implementation of a 10Base-T, 100Base-TX and 1000Base-TX transmission over data-grade unshielded twisted pair cable (UTP-3, 5/5e and 6).

The connectors category provide excellent EMI filtering and are suitable for Embedded Systems and Multiport Applications. Pulse has worked closely with the leading IC manufacturers in providing these 10/100/1000 solutions, thereby assuring compatibility with each transceiver.

JC0 series meet the stringent open circuit inductance requirements imposed by IEEE. When an 8mA DC current is applied across the transformer windings, the transformer will provide at least 350µH of open circuit inductance. The transformers used in each module also provide 2250Vdc minimum isolation, wide bandwidth with minimal attenuation and fast rise times to minimize system level jitter.

JC0-0131 (2x4) Application Circuit

10/100/1000
IC PHY



PCB Layout Recommendations:

- For maximum EMI suppression (electromagnetic interference) place the decoupling capacitors adjacent to Vcc and 50Ω connections.
- Connections to ground should be as short as possible.
- Connections between the 10/100/1000 IC and the connector should be direct (ideally no change in direction) and of minimum length.

For More Information:

UNITED STATES (Worldwide)	UNITED KINGDOM (Northern Europe)	FRANCE (Southern Europe)	SINGAPORE (Southern Asia)	TAIWAN, R.O.C. (Northern Asia)	HONG KONG (China/Hong Kong)	DISTRIBUTOR
12220 World Trade Drive San Diego, CA 92128 U.S.A. http://www.pulseeng.com TEL: 858 674 8100 FAX: 858 674 8262	3 Huxley Road Surrey Research Park Guildford, Surrey GU2 5RE Orgelet United Kingdom TEL: 44 1483 401700 FAX: 44 1483 401701	Zone Industrielle F-39270 Orgelet France TEL: 33 3 84 35 04 04 FAX: 33 3 84 25 46 41	150 Kampong Ampat #07-01/02 KA Centre Singapore 368324 TEL: 65 6287 8998 FAX: 65 6280 0080	3F-4, No. 81, Sec. 1 HsinTai Wu Road Hsi-Chih, Taipei Hsien Taiwan, R.O.C. Tel: 886 2 2698 0228 FAX: 886 2 2698 0948	Unit 11, 11/F Wah Lai Industrial Centre 10-14 Kwei Tei Street, Fotan, Shatin, Hong Kong TEL: 852 2788 6588 FAX: 852 2776 1055	

Performance warranty of products offered on this data sheet is limited to the parameters specified. Data is subject to change without notice. Other brand and product names mentioned herein may be trademarks or registered trademarks of their respective owners.

单击下面可查看定价，库存，交付和生命周期等信息

[>>Pulse\(普思\)](#)