

# Switch Mode Transformers

Toroid Platform SMD



- Push Pull Converter Transformer
- Compatible with MAXIM™ MAX253 to isolate RS-485/RS232 and other industrial bus transceivers
- Compact and cost effective industrial design

## Electrical Specifications @ 25°C - Operating Temperature -40°C to +125°C

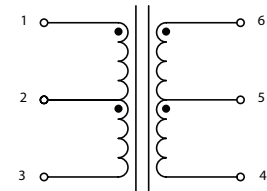
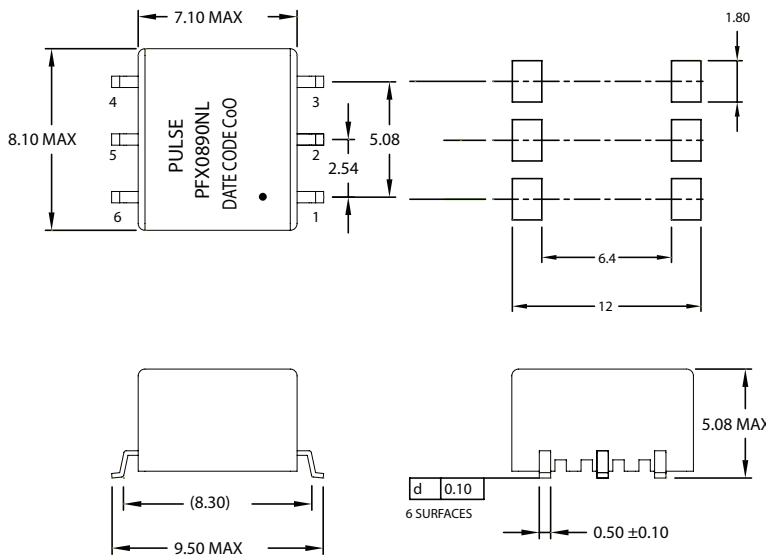
Part Number <sup>2,3</sup>	Inductance (1-3) (mH ±35%)	DCR (1-3) (Ω MAX)	MAX (1-3) <sup>1</sup> (V-μsec)	Turns Ratio	Isolated Voltage (Vrms)
PFX0890NL	1.02	0.60	18.4	3:4	2000

- Notes:**
- The maximum volt-use rating limits the peak flux density to 3600 gauss when used in bi-polar drive application with 200KHz. For unipolar drive applications or a bi-polar drive with 350KHz, a maximum volt-use could be 60% of the listed value.
  - Optional Tape & Reel packing can be ordered by adding a "T" suffix to the part number. Pulse complies to industry standard tape and reel specification EIA481.
  - Other turns ratios available on request.

## Mechanical

## Schematic

### PFX0890NL



Weight .....0.365grams  
 Tape & Reel .....700/reel  
 Tray .....55/tray

Dimensions:  $\frac{\text{Inches}}{\text{mm}}$

Unless otherwise specified,  
 all tolerances are  $\pm \frac{.010}{0,25}$

## For More Information

**Pulse Worldwide Headquarters**  
 12220 World Trade Drive  
 San Diego, CA 92128  
 U.S.A.

**Pulse Europe**  
 Einsteinstrasse 1  
 D-71083 Herrenberg  
 Germany

**Pulse China Headquarters**  
 B402, Shenzhen Academy of  
 Aerospace Technology Bldg.  
 10th Kejinan Road  
 High-Tech Zone  
 Nanshan District  
 Shenzhen, PR China 518057

**Pulse North China**  
 Room 2704/2705  
 Super Ocean Finance Ctr.  
 2067 Yan An Road West  
 Shanghai 200336  
 China

**Pulse South Asia**  
 135 Joo Seng Road  
 #03-02  
 PM Industrial Bldg.  
 Singapore 368363

**Pulse North Asia**  
 3F, No. 198  
 Zhongyuan Road  
 Zhongli City  
 Taoyuan County 320  
 Taiwan R. O. C.

Tel: 858 674 8100  
 Fax: 858 674 8262

Tel: 49 7032 78060  
 Fax: 49 7032 7806 135

Tel: 86 755 33966678  
 Fax: 86 755 33966700

Tel: 86 21 62787060  
 Fax: 86 2162786973

Tel: 65 6287 8998  
 Fax: 65 6287 8998

Tel: 886 3 4356768  
 Fax: 886 3 4356823 (Pulse)  
 Fax: 886 3 4356820 (FRE)

Performance warranty of products offered on this data sheet is limited to the parameters specified. Data is subject to change without notice. Other brand and product names mentioned herein may be trademarks or registered trademarks of their respective owners. © Copyright, 2013. Pulse Electronics, Inc. All rights reserved.

单击下面可查看定价，库存，交付和生命周期等信息

[>>Pulse\(普思\)](#)