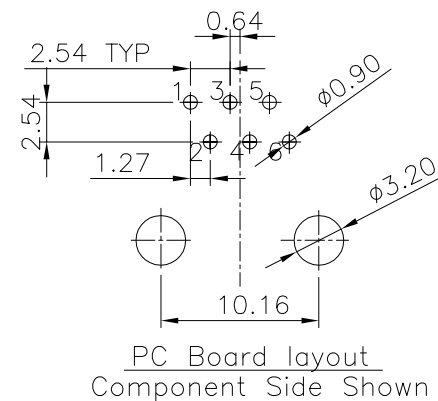
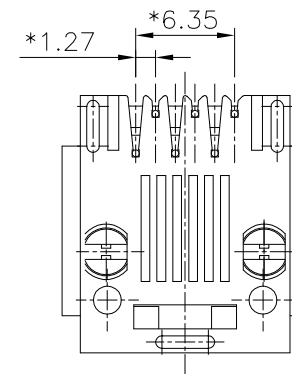
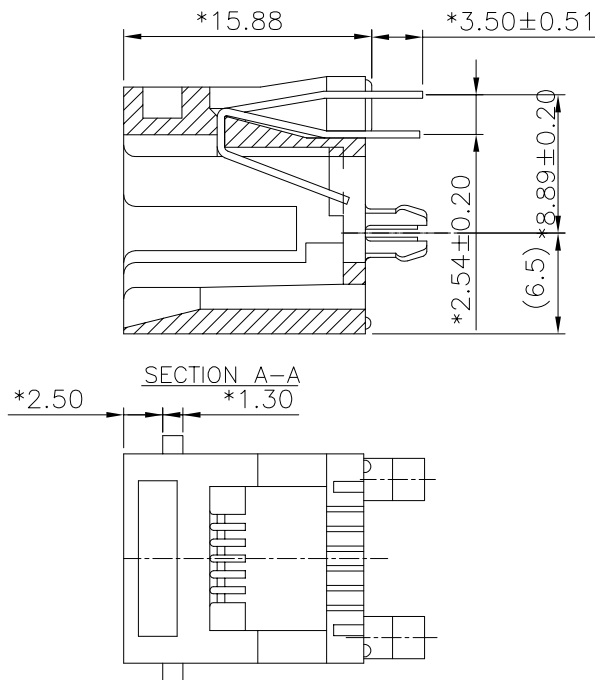
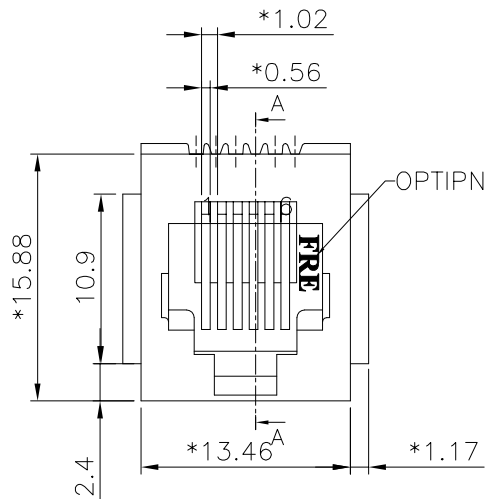


REVISION RECORD				
REV	ECO	DESCRIPTION	DRFT	CHKD



NOTES:

ELECTRICAL:

1. VOLTAGE RATING : 125 VAC RMS MIN.
2. CURRENT RATING : 1.5 AMP MIN.
3. CONTACT RESISTANCE : 30 MILLIOHMS MAX.
4. INSULATION RESISTANCE: 1000 MEGOHMS MIN @ 500 VDC.
5. DIELECTRIC STRENGTH : 1000 VAC RMS 60Hz, 1MIN.

MECHANICAL:

1. HOUSING MATERIAL : GLASS FILLED POLYESTER UL94V-0.
2. CONTACT MATERIAL : PHOSPHOR BRONZE $\phi=0.46\text{mm}$
3. PLATING : GOLD PLATING OVER NICKEL.
4. OPERATING LIFE : 750 CYCLES MIN.
5. PCB RETENTION PRE-SOLDER : 1 LB MIN.
6. PCB RETENTION POST-SOLDER: 10 LBS MIN.

ENVIRONMENTAL:

1. STORAGE : -40°C TO +85°C.
2. OPERATION: -40°C TO +85°C.
3. WAVE SOLDERING TEMPERATURE: 230°C TO 250°C (3-5SECOND).

MATES WITH MODULAR PLUG CONFORMING TO

FCC PART 68, SUBPART F.

CUL FILE NO. E163191

PART NUMBER: E526X-E000XX-L

- 2- 2 CONTACTS
- 4- 4 CONTACTS
- 6- 6 CONTACTS
- 1- 3u" 2- 6u" 3-15u"
- 4-30u" 5-50u" 6-Pd20u"
- 3-W/ PANEL STOP SPLIT FOOT
- 4-W/O PANEL STOP SPLIT FOOT

DETACHED LISTS	← MM (INCH) →		DFTO SAMMY	DATE 05/27/05	FULL RISE ELECTRONIC CO., LTD	
	TOLERANCES EXCEPT AS NOTED		CHKD ANKUE	DATE 2005/5/28		
	MM	±	MFO	DATE	TITLE TOP ENTRY PCB JACK	
	.0 ± 0.2	±	APPV LUSHENG	DATE 2005/5/28		
.00 ± 0.15	±	MATERIAL :		DRAWING NO. GE523027-LC		
.000 ± 0.075	±	ANGLES ±		/PART NO. SEE NOTE		
THIRD ANGLE PROJECTION		FINISH :		SCALE : 3:1	DO NOT SCALE DRAWING	SIZE A3
		QT'Y :		SHEET OF		REV O

单击下面可查看定价，库存，交付和生命周期等信息

[>>Pulse\(普思\)](#)