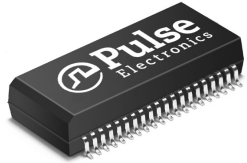


# 10/100Base-TX Dual Port Transformer Modules

For Use with Transceivers Requiring 1:1 Transmit and Receiving Turns Ratios



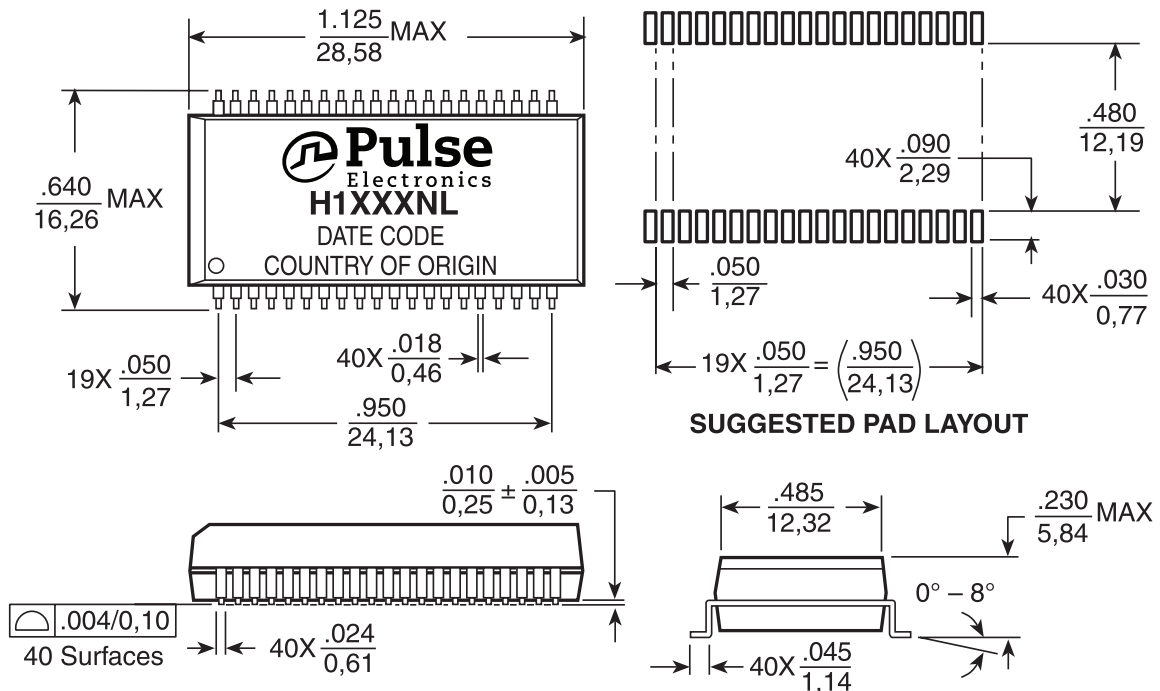
- RoHS reflow temperature rating 245°C
- Meets IEEE 802.3 specification
- Some models offer AutoMDIX capability

Electrical Specifications @ 25°C - Operating Temperature 0°C to +70°C													
Part Number <sup>1</sup>	Insertion Loss (dB TYP)	Return Loss (dB TYP)				Crosstalk (dB TYP)				Differential to Common Mode Rejection (dB MIN)		HiPot (Vrms MIN)	
	0.1-100 MHz	2-30 MHz	40 MHz	50 MHz	60-80 MHz	1 MHz	30 MHz	60 MHz	100 MHz	1-60 MHz	60-200 MHz		
H1028NL <sup>2d</sup>	-0.5	-21	-17	-14.5	-12	-65	-55	-45	-35	-45	-35	1500	
H1200NL <sup>2d</sup>	-1.0	-16	-14.4	-13	-12	-50	-45	-40	-35	-37	-35	1500	

- When ordering Tape and Reel packaging, add suffix "T" to the end of the part number, for example, H1028NLT.
- MSL = Moisture Sensitivity Level a=1, b=2, c=3, d=4
- Suitable for AutoMDIX applications

## Mechanical

### H1028NL



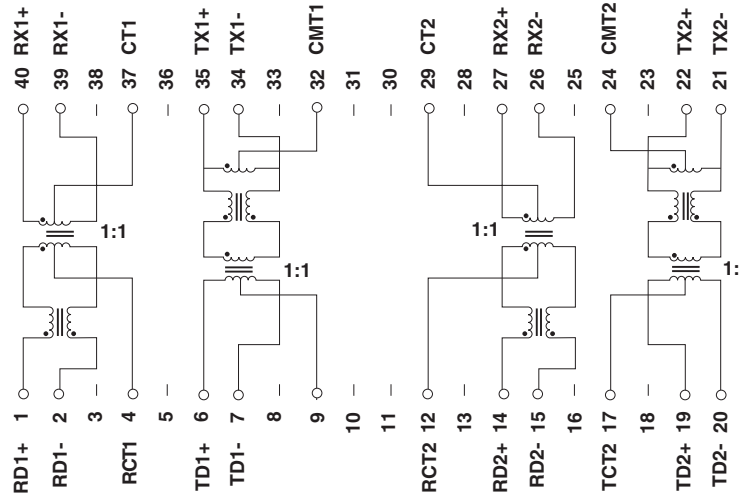
Dimensions:  $\frac{\text{Inches}}{\text{mm}}$  Unless otherwise specified, all tolerances are  $\pm \frac{.010}{0,25}$

# 10/100Base-TX Dual Port Transformer Modules

For Use with Transceivers Requiring 1:1 Transmit and Receiving Turns Ratios

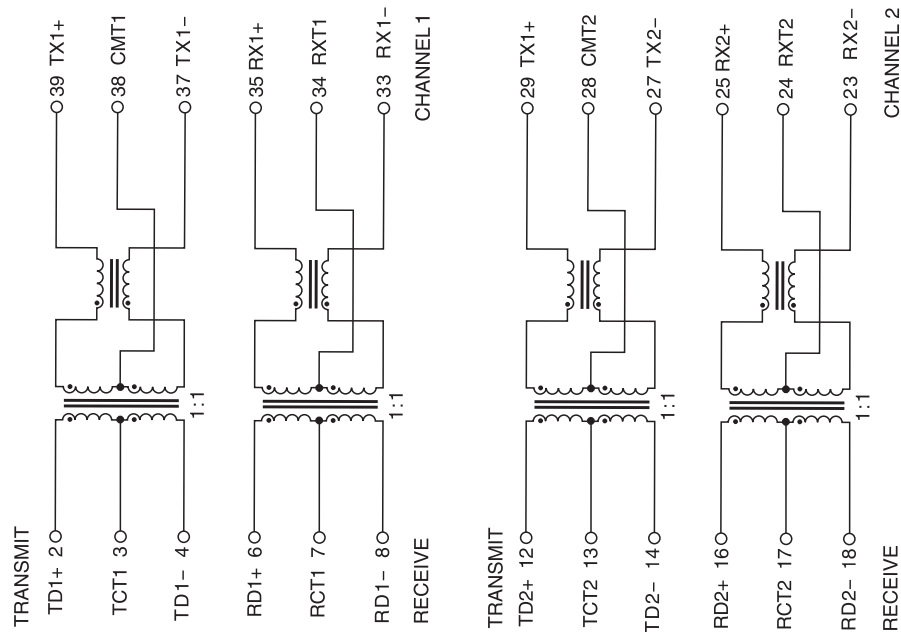
## Schematics

### H1028NL



H1028 does not have the additional choke.

### H1200NL





单击下面可查看定价，库存，交付和生命周期等信息

[>>Pulse\(普思\)](#)