

Description: GNSS FPC Antenna

Series: Gemini

PART NUMBER: W3908B0100



Features:

- FPC Antenna with feed
- 1560-1610MHz
- Linear polarization
- Radiator size 20x26.80mm
- Gain 0.3dBi

Applications:

- GNSS receivers
- Beidou, GPS, Galileo, Glonass
- Tracking, Location based services, security, transportation
- IoT

All dimensions are in mm / inches

Issue: 1723

In the effort to improve our products, we reserve the right to make changes judged to be necessary.

CONFIDENTIAL AND PROPRIETARY INFORMATION

This document contains confidential and proprietary information of Pulse Electronics, Inc. (Pulse) and is protected by copyright, trade secret and other state and federal laws. Its receipt or possession does not convey any rights to reproduce, disclose its contents, or to manufacture, use or sell anything it may describe. Reproduction, disclosure or use without specific written authorization of Pulse is strictly forbidden.

For more information:

Pulse Worldwide Headquarters
15255 Innovation Drive #100
San Diego, CA 92128
USA
Tel:1-858-674-8100

Pulse/Larsen Antennas
18110 SE 34th St Bldg 2 Suite 250
Vancouver, WA 98683
USA
Tel: 1-360-944-7551

Europe Headquarters
Pulse GmbH & Do, KG
Zeppelinstrasse 15
Herrenberg, Germany

Pulse (Suzhou) Wireless Products Co, Inc.
99 Huo Ju Road(#29 Bldg,4th Phase
Suzhou New District
Jiangsu Province, Suzhou 215009 PR China
Tel: 86 512 6807 9998

Description: GNSS FPC Antenna

Series: Gemini

PART NUMBER: W3908B0100

ELECTRICAL SPECIFICATIONS

Frequency	1560-1610MHz
Nominal Impedance	50 Ω
Return Loss	-10dB
Radiation Pattern	Omni
Peak Gain	0.27dBi
Efficiency	33.6%
Polarization	Linear
Power Withstanding	3W

MECHANICAL SPECIFICATIONS

Overall Length	120mm
Weight	0.62g
Antenna Color / Material	FPC
Connector type	U.FL
Cable type	1.13mm
Cable length	93mm

ENVIRONMENTAL SPECIFICATIONS

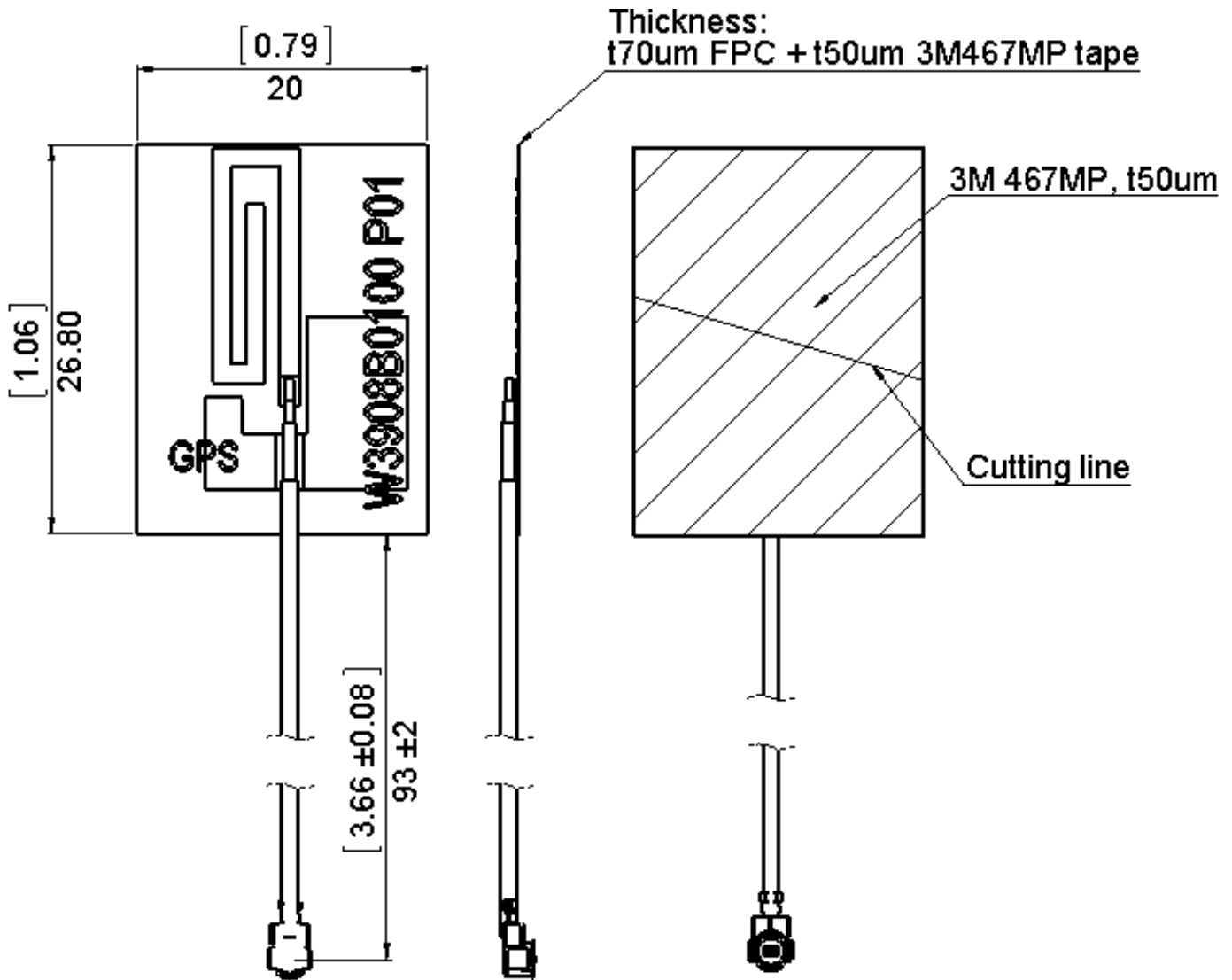
Operating Temperature	-40~+85° C
Storage Temperature	-40~+85° C
RoHS Compliant	Yes

Description: GNSS FPC Antenna

Series: Gemini

PART NUMBER: W3908B0100

MECHANICAL DRAWING



Issue: 1723

In the effort to improve our products, we reserve the right to make changes judged to be necessary.

CONFIDENTIAL AND PROPRIETARY INFORMATION

This document contains confidential and proprietary information of Pulse Electronics, Inc. (Pulse) and is protected by copyright, trade secret and other state and federal laws. Its receipt or possession does not convey any rights to reproduce, disclose its contents, or to manufacture, use or sell anything it may describe. Reproduction, disclosure or use without specific written authorization of Pulse is strictly forbidden.

Description: GNSS FPC Antenna

Series: Gemini

PART NUMBER: W3908B0100

CHARTS

Return Loss



Issue: 1723

In the effort to improve our products, we reserve the right to make changes judged to be necessary.

CONFIDENTIAL AND PROPRIETARY INFORMATION

This document contains confidential and proprietary information of Pulse Electronics, Inc. (Pulse) and is protected by copyright, trade secret and other state and federal laws. Its receipt or possession does not convey any rights to reproduce, disclose its contents, or to manufacture, use or sell anything it may describe. Reproduction, disclosure or use without specific written authorization of Pulse is strictly forbidden.

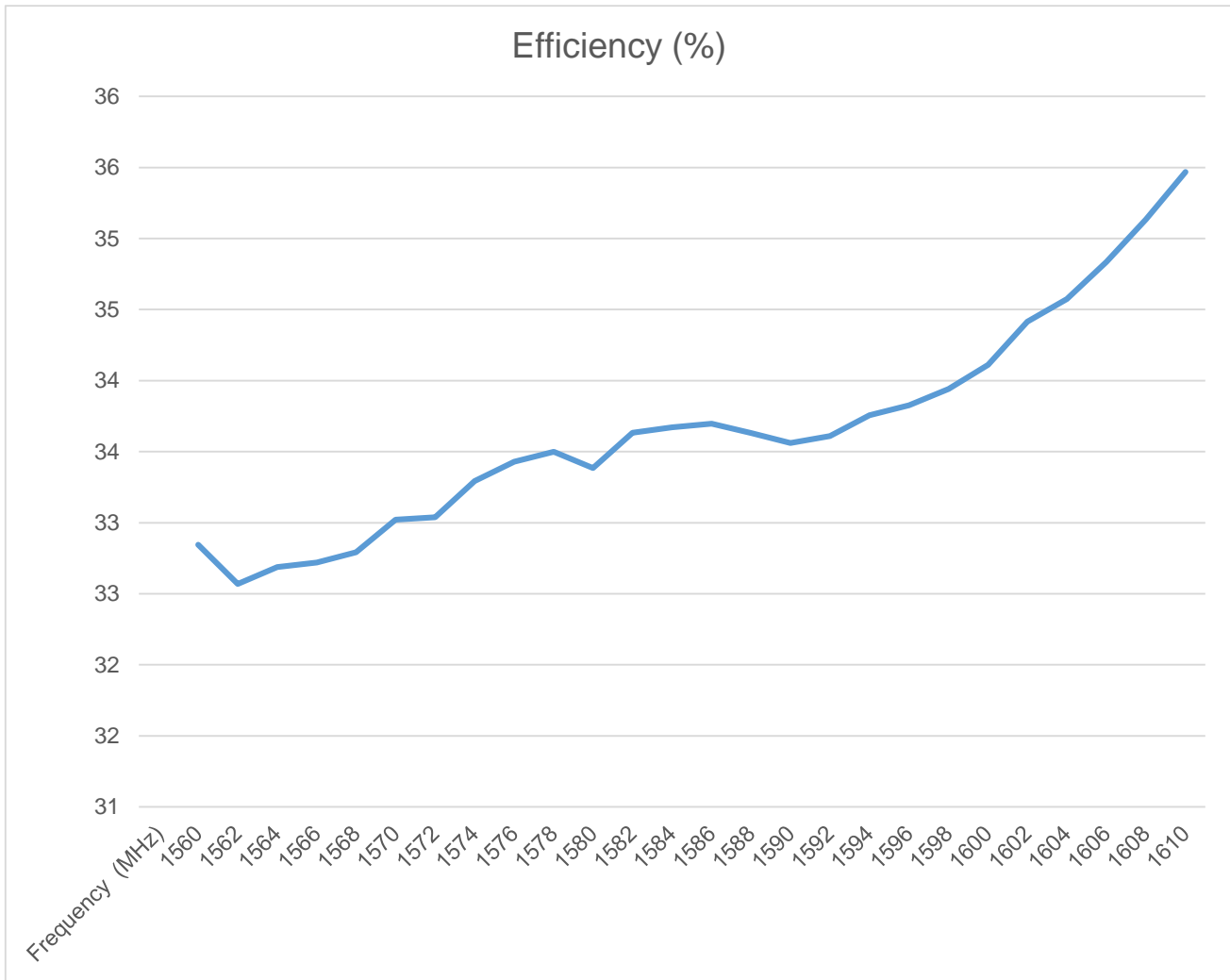
Description: GNSS FPC Antenna

Series: Gemini

PART NUMBER: W3908B0100

CHARTS

Efficiency



Issue: 1723

In the effort to improve our products, we reserve the right to make changes judged to be necessary.

CONFIDENTIAL AND PROPRIETARY INFORMATION

This document contains confidential and proprietary information of Pulse Electronics, Inc. (Pulse) and is protected by copyright, trade secret and other state and federal laws. Its receipt or possession does not convey any rights to reproduce, disclose its contents, or to manufacture, use or sell anything it may describe. Reproduction, disclosure or use without specific written authorization of Pulse is strictly forbidden.

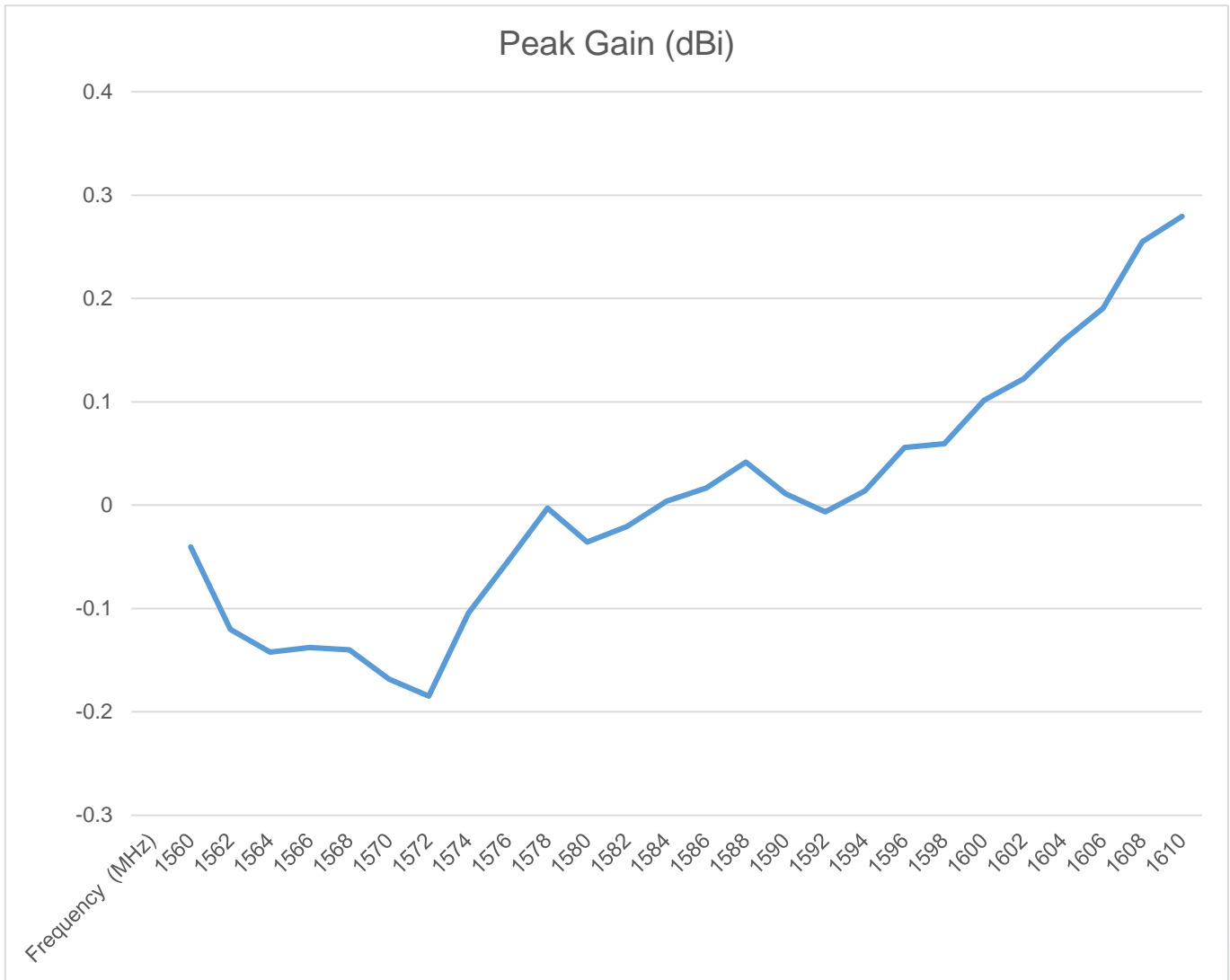
Description: GNSS FPC Antenna

Series: Gemini

PART NUMBER: W3908B0100

CHARTS

Peak Gain



Issue: 1723

In the effort to improve our products, we reserve the right to make changes judged to be necessary.

CONFIDENTIAL AND PROPRIETARY INFORMATION

This document contains confidential and proprietary information of Pulse Electronics, Inc. (Pulse) and is protected by copyright, trade secret and other state and federal laws. Its receipt or possession does not convey any rights to reproduce, disclose its contents, or to manufacture, use or sell anything it may describe. Reproduction, disclosure or use without specific written authorization of Pulse is strictly forbidden.

Description: GNSS FPC Antenna

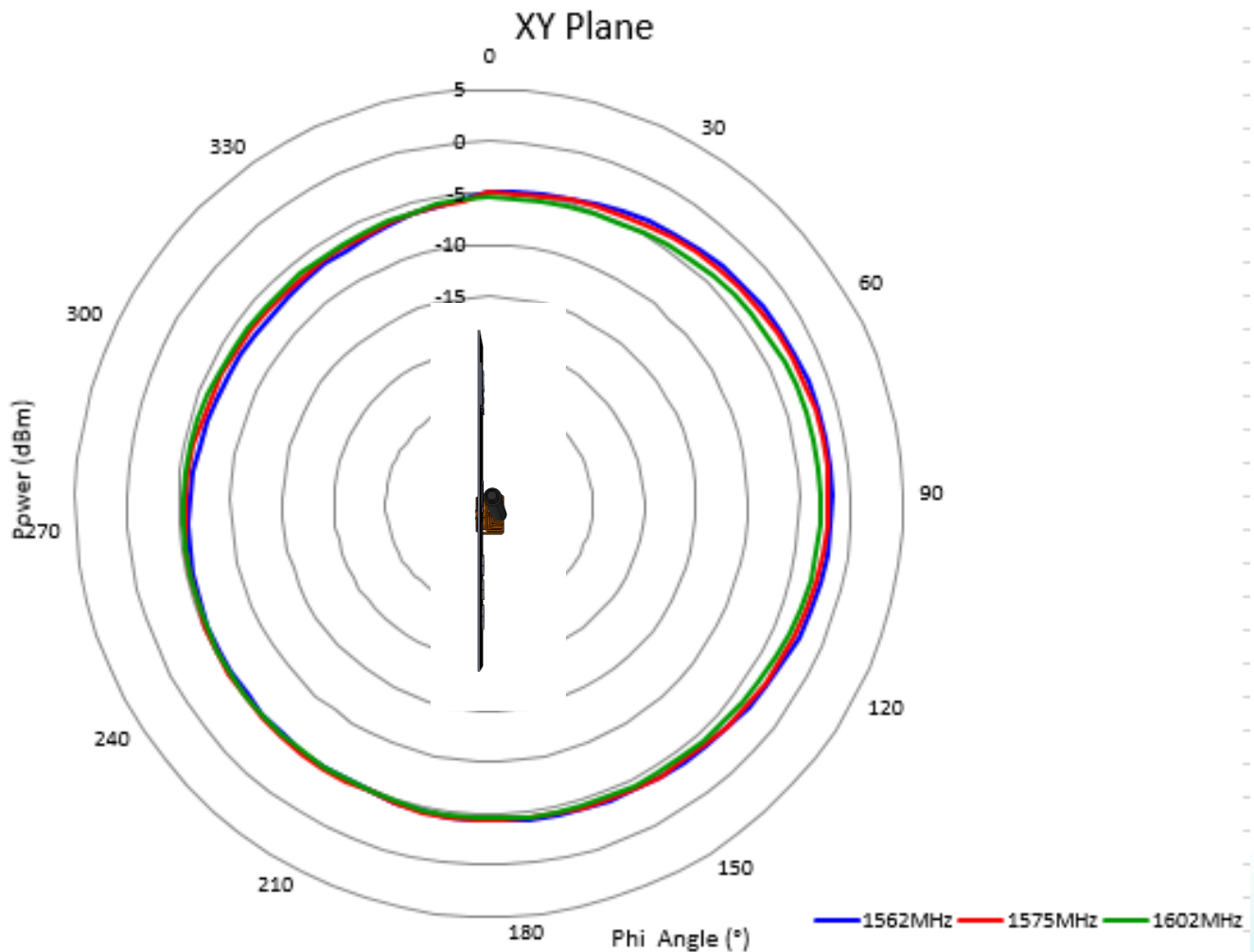
Series: Gemini

PART NUMBER: W3908B0100

CHARTS

Free Space Radiation Pattern

Horizontal Plane



Issue: 1723

In the effort to improve our products, we reserve the right to make changes judged to be necessary.

CONFIDENTIAL AND PROPRIETARY INFORMATION

This document contains confidential and proprietary information of Pulse Electronics, Inc. (Pulse) and is protected by copyright, trade secret and other state and federal laws. Its receipt or possession does not convey any rights to reproduce, disclose its contents, or to manufacture, use or sell anything it may describe. Reproduction, disclosure or use without specific written authorization of Pulse is strictly forbidden.

Description: GNSS FPC Antenna

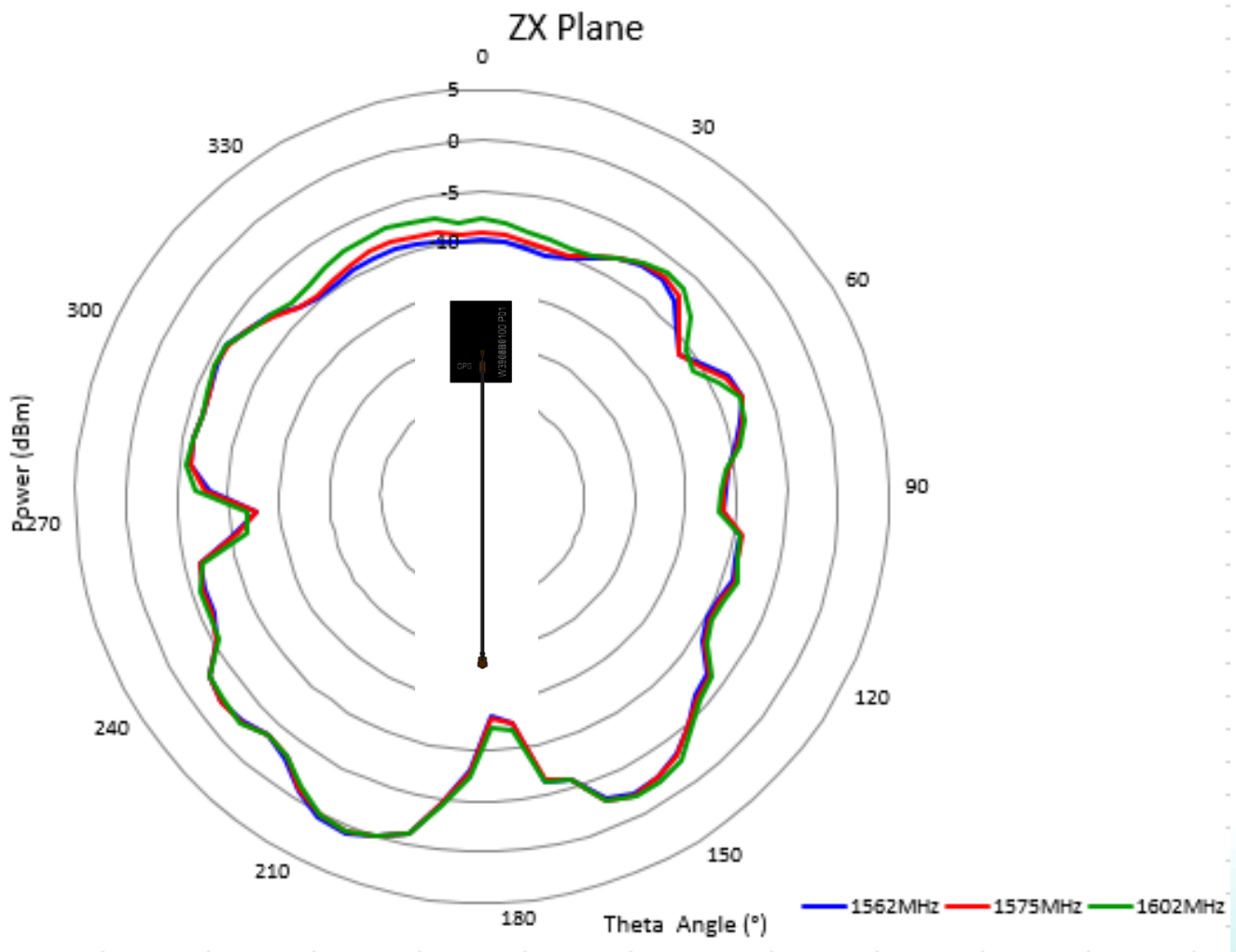
Series: Gemini

PART NUMBER: W3908B0100

CHARTS

Free Space Radiation Pattern

Elevation Plane



Issue: 1723

In the effort to improve our products, we reserve the right to make changes judged to be necessary.

CONFIDENTIAL AND PROPRIETARY INFORMATION

This document contains confidential and proprietary information of Pulse Electronics, Inc. (Pulse) and is protected by copyright, trade secret and other state and federal laws. Its receipt or possession does not convey any rights to reproduce, disclose its contents, or to manufacture, use or sell anything it may describe. Reproduction, disclosure or use without specific written authorization of Pulse is strictly forbidden.

Description: GNSS FPC Antenna

Series: Gemini

PART NUMBER: W3908B0100

PACKAGING

5pcs antenna per PE bag

400pcs PE bags per form bag

2pcs form bag per package box

Total 4000pcs per package box

Package box: 460mm*235mm*140mm

Issue: 1723

In the effort to improve our products, we reserve the right to make changes judged to be necessary.

CONFIDENTIAL AND PROPRIETARY INFORMATION

This document contains confidential and proprietary information of Pulse Electronics, Inc. (Pulse) and is protected by copyright, trade secret and other state and federal laws. Its receipt or possession does not convey any rights to reproduce, disclose its contents, or to manufacture, use or sell anything it may describe. Reproduction, disclosure or use without specific written authorization of Pulse is strictly forbidden.

Downloaded From [Oneyac.com](https://www.oneyac.com)

单击下面可查看定价，库存，交付和生命周期等信息

[>>Pulse\(普思\)](#)