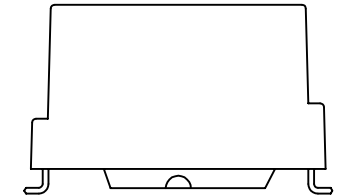
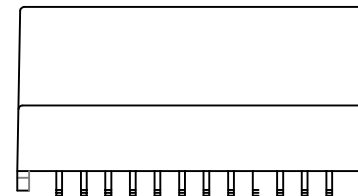
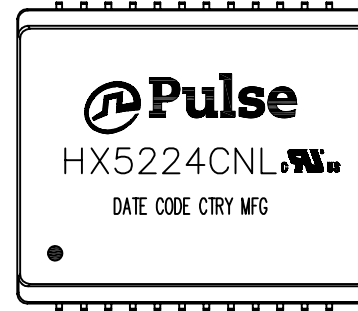


NOTES:

1. ROHS COMPLIANT
2. HEADER: DAP (DIALLYL PHTHALATE) WITH FLAMMABILITY RATING UL 94V-0 OR BETTER.
3. STORAGE TEMPERATURE: -50°C TO +125°C
4. COMPLIANCE TO J-STD:
 - A. J-STD-002: SOLDERABILITY AT 245°C REFLOW PROFILE
 - B. J-STD-020: LEVEL 1, NO MOISTURE SENSITIVE
 - C. J-STD-075: R7, 245°C MAXIMUM THROUGH REFLOW SOLDER
5. TO ORDER TAPE & REEL PACKAGING ADD A "T" SUFFIX TO THE PART NUMBER(i.e HX5224CNL BECOMES HX5224CNLT).

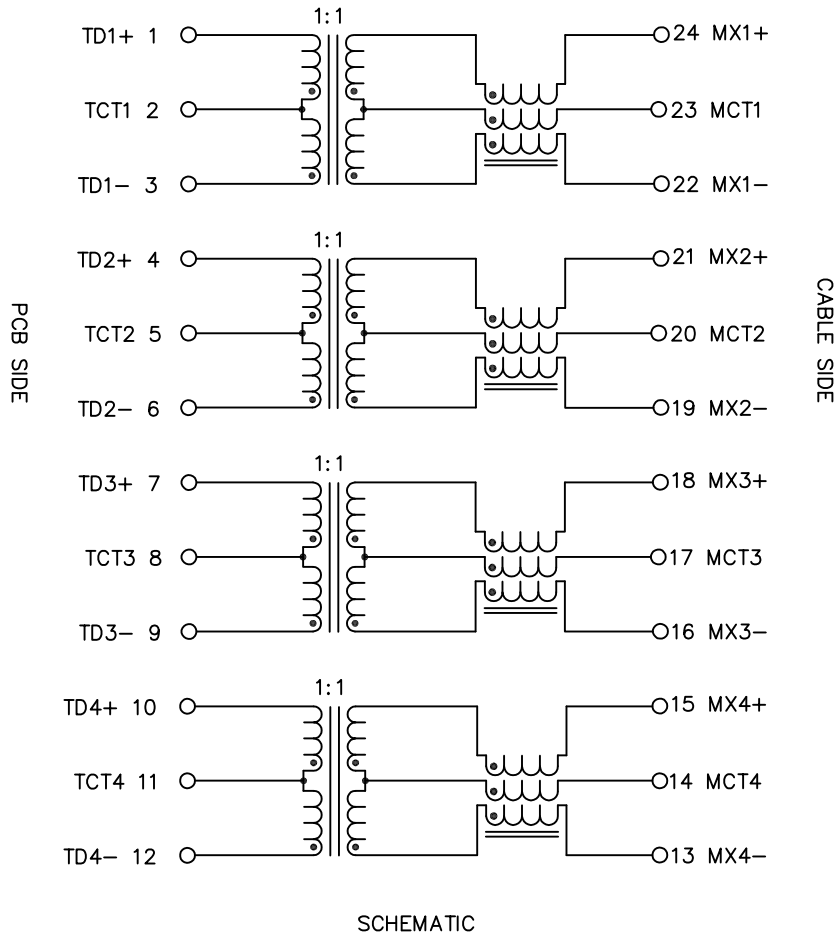


FINAL OUTLINE

© Copyright, 2016. Pulse Electronics Corp. All rights reserved. Pulse confidential & proprietary. (06/12/16)

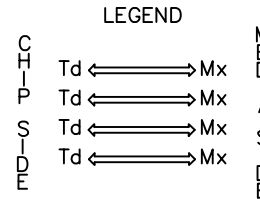
| PRODUCT DESCRIPTION | TLA DRAWING | PS DRAWING | SHEET | PART NO. | DATASHEET REV. |
|-----------------------|--------------|---------------|--------|-----------|----------------|
| MDL,SIN,1GD,1:1,SM,TU | HX5224CNL-10 | PS-2820.001-A | 1 OF 3 | HX5224CNL | A |

ELECTRICAL CHARACTERISTICS AT +25°C UNLESS OTHER SPECIFIED
MEETS IEEE 802.3 SPECIFICATION



| PARAMETER | SPECIFICATIONS | | | | |
|--|---|-------------|--|-------------|-----------|
| OPERATING TEMP | -40°C TO +85°C | | | | |
| TURNS RATIO | 1.00 ± 2% | | | | |
| POLARITY | PER SCHEMATIC | | | | |
| INSERTION LOSS | 1-30 MHz | 60 MHz | | 100 MHz | |
| | -0.5 dB MAX | -1.0 dB MAX | | -2.1 dB MAX | |
| RETURN LOSS, (Z OUT = 100 OHM) | 1-30 MHz | 40 MHz | 50 MHz | 60-80 MHz | 100 MHz |
| | -18 dB MIN | -16 dB MIN | -14 dB MIN | -10 dB MIN | -8 dB MIN |
| INDUCTANCE (OCL) (MEDIA SIDE, -40°C~85°C) | 350 uH MIN (MEASURED AT 100 KHz, 100 mVRMS AND WITH 8 mA DC BIAS) | | | | |
| CROSSTALK, ADJACENT CHANNELS | 1 MHz | | 10-100 MHz | | |
| | -50 dB MIN | | -55+22*LOG ₁₀ (f/10) dB MIN | | |
| DIFFERENTIAL TO COMMON MODE REJECTION | 0.1 MHz | | 30-200 MHz | | |
| | -50 dB MIN | | -43+22*LOG ₁₀ (f/30) dB MIN | | |
| INPUT - OUTPUT ISOLATION | 4000 VRMS MIN @ 60 SECONDS | | | | |

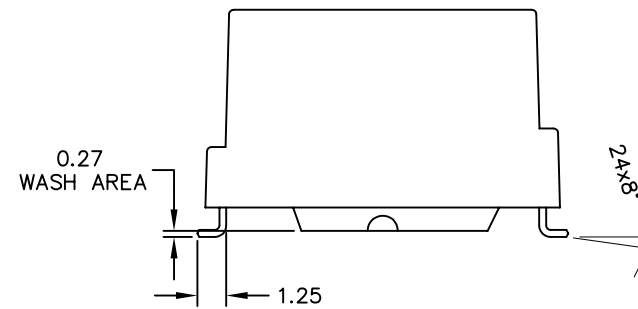
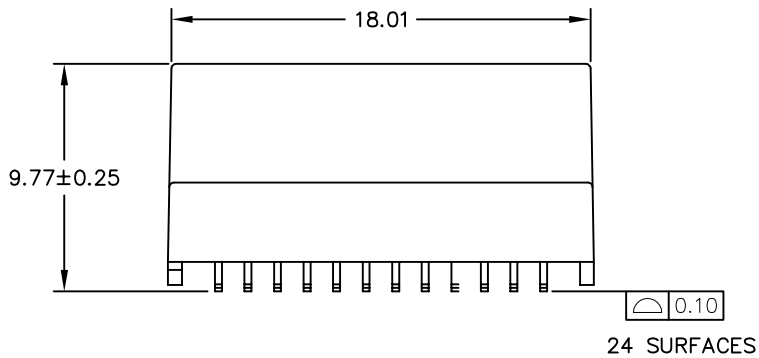
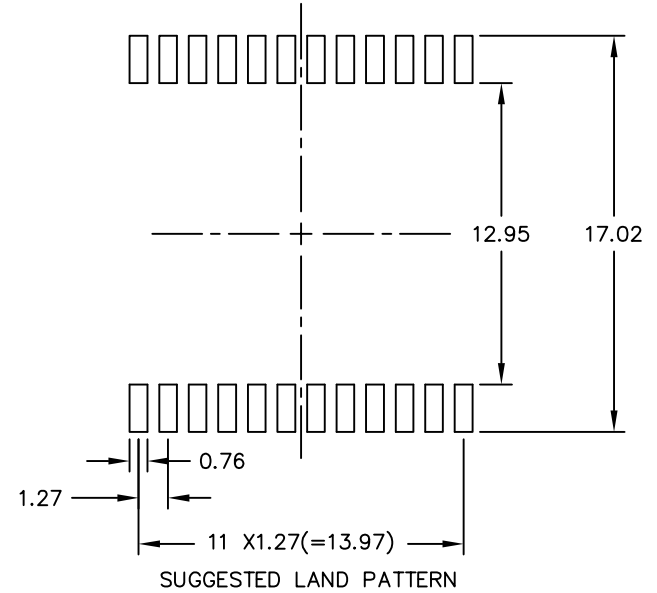
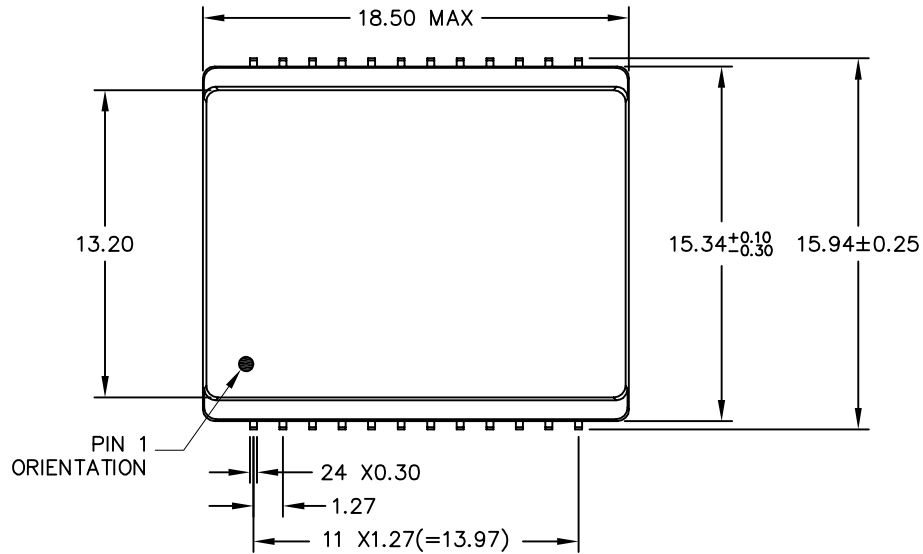
NOTE: f IS FREQUENCY IN MHZ.



ALL CHANNELS ARE IN PHASE BETWEEN INPUT AND OUTPUT

© Copyright, 2016. Pulse Electronics Corp. All rights reserved. Pulse confidential & proprietary. (06/12/16)

| PRODUCT DESCRIPTION | TLA DRAWING | PS DRAWING | SHEET | PART NO. | DATASHEET REV. |
|-----------------------|--------------|---------------|--------|-----------|----------------|
| MDL,SIN,1GD,1:1,SM,TU | HX5224CNL-10 | PS-2820.001-A | 2 OF 3 | HX5224CNL | A |



DIMENSIONS ARE IN MM WITH THE FOLLOWING TOLERANCES:
 .X= \pm 0.25
 .XX= \pm 0.15

© Copyright, 2016. Pulse Electronics Corp. All rights reserved. Pulse confidential & proprietary. (06/12/16)

| PRODUCT DESCRIPTION | TLA DRAWING | PS DRAWING | SHEET | PART NO. | DATASHEET REV. |
|-----------------------|--------------|---------------|--------|-----------|----------------|
| MDL,SIN,1GD,1:1,SM,TU | HX5224CNL-10 | PS-2820.001-A | 3 OF 3 | HX5224CNL | A |

单击下面可查看定价，库存，交付和生命周期等信息

[>>Pulse\(普思\)](#)