

DATA SHEET

WIRELESS COMPONENTS

Active Antenna

ANT1606JB12B1575A

GPS

PIN 20x6x6.4 mm



FEATURES

- High radiation efficiency
- Integrated LNA
- Flexible cable/connector option
- RoHS compliant

APPLICATIONS

- Navigation device
- Telematics box
- Tracker

ORDERING INFORMATION

All part numbers are identified by the series, packing type, material, size, antenna type, working frequency and packing quantity.

PART NUMBER

ANT 1606 J B12 B 1575A
 (1) (2) (3) (4) (5) (6)

(1) PRODUCT

ANT = Antenna

(2) SIZE

1606 = 16 ×6 mm

(3) ANTENNA TYPE

J=Integrated Antenna

(4) SERIAL NO.

B12

(5) PACKING STYLE

B=Bag

(6) WORKING FREQUENCY

1575 = 1.575 GHz

PHYCOMP CTC

CAN4313346121581B

I2NC

431334612158

SPECIFICATION
Ceramic Patch antenna

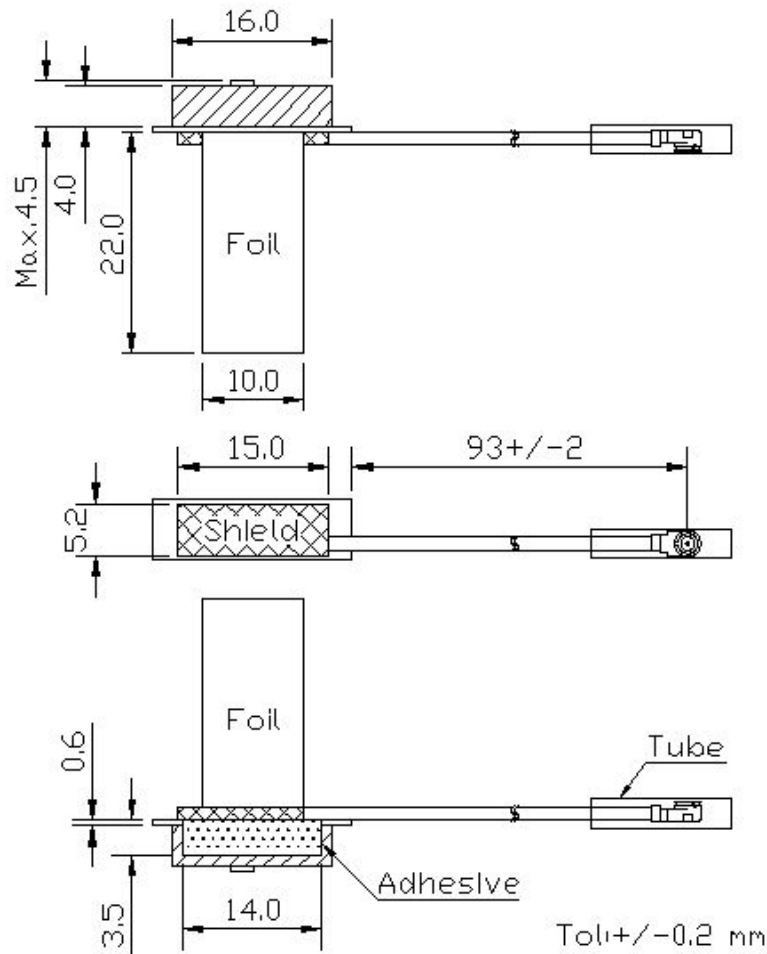
DESCRIPTION	VALUE
Dimension	16×6×4 mm ³
Centre Frequency	1575 ± 2MHz
Bandwidth	18 MHz (Typ.)
Gain	-2.52 dBic (Typ.)
VSWR	2.0 Max.
Polarization	Linear Polarization
Impedance	50Ω

LNA

DESCRIPTION	VALUE
Central Frequency	1575 ± 1.023MHz
Gain	20 dB (Typ.)
Output VSWR	2.0 Max.
Noise Figure	1.0 dB(Typ.)
SAW Filter (Out of Band Attenuation)	40dB min 0.15 ~ 960MHz
	20dB min 1475~1535MHz
	32dB min 1627~1710MHz
	32dB min 1750~1800MHz
	28dB min 1850~1990MHz
Supply Voltage	3.0 ± 0.3V
Current Consumption	3.6 mA (Typ.)
Output Impedance	50Ω
Operating Temperature	-30 ~ +85 °C
Humidity	< 95%
Storage Temperature	-40 ~ +125 °C

NOTE

1. Based on 20×6 mm² ground plane (with customer's housing)
2. Centre frequency will be offset to working frequency while changes of customer's housing and ground plane.
3. Please contact local sales if you need customized design to gain optimum antenna performance.



Length	20.0 +/- 0.2 mm
Width	6.0 +/- 0.2 mm
Thickness	6.4 ~ 6.8 mm
Cable	Diameter= 1.37 mm ; Length= 93 mm ; Black
Connector	I-PEX MHF or HRS U.FL-LP(P)-088A
Cu Foil	22 × 10 mm ²
Adhesive	14 × 3.5 mm ²
Shielding Case	15 × 5.2 × 1.3 mm ³

Fig. 1 Mechanical Data

REVISION HISTORYREVISION DATE CHANGE NOTIFICATION DESCRIPTION

Version 0	Feb 06, 2013	-	- New data sheet for Active antenna, PIN Feed size 20*6*6.4 mm
-----------	--------------	---	--

单击下面可查看定价，库存，交付和生命周期等信息

[>>Pulse\(普思\)](#)