

Cable Assembly for Wireless Application

Pulse Part Numbers: W9003, W9006M, W9009, W9011M, & W9063B170



Features

- Low Insertion Loss and low VSWR
- Various connector type
- Various cable length from 3 to 20 inch (76– 508 mm)

Pansize 20/bag; 500/carton

Dimensions: $\frac{\text{Inches}}{\text{mm}}$

Unless otherwise specified, all tolerances are $\pm \frac{0.10}{0.25}$

Pulse Finland Oy

Takatie 6
90440 Kempele, Finland
Tel: +358 207 935 500
Fax: +358 207 935 501
www.pulseeng.com/antennas

Cable Assembly for Wireless Application

Pulse Part Numbers: W9003, W9006M, W9009, W9011M, & W9063B170

Electrical Specification @ +25°C

Note: This part number is lead-free and RoHS compliant. No additional suffix or identifier is required.

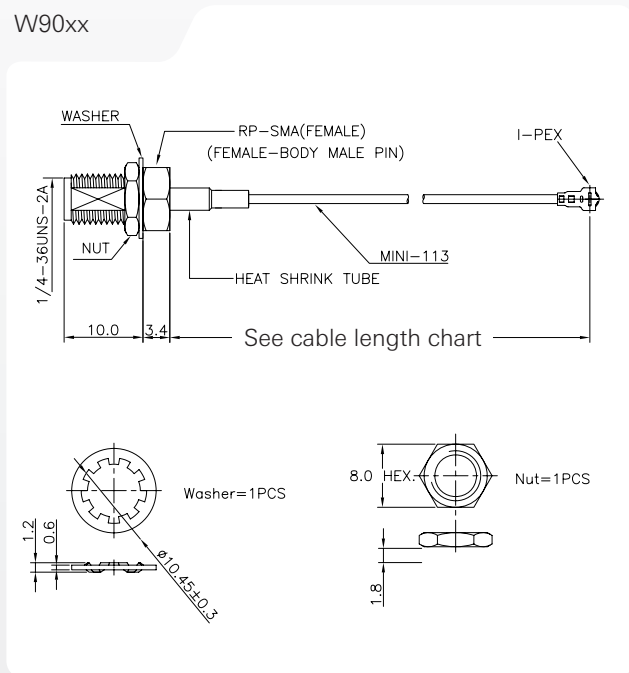
Part Number	VSWR 2.4GHz/6GHz	Insertion Loss 2.4GHz/6GHz	Cable Length (in/mm)	Connector Types
W9003	1.2/1.3	0.4dB/0.8dB	3/76	R-SMA Female to I-PEX
W9003M	1.2/1.3	0.4dB/0.8dB	3/76	SMA Female to I-PEX
W9006	1.1/1.3	0.6dB/1.1dB	6/150	R-SMA Female to I-PEX
W9006M	1.1/1.3	0.6dB/1.1dB	6/150	SMA Female to I-PEX
W9009	1.2/1.4	0.8dB/1.4dB	9/229	R-SMA Female to I-PEX
W9009M	1.2/1.4	0.8dB/1.4dB	9/229	SMA Female to I-PEX
W9011	1.2/1.2	0.9dB/1.8dB	11/280	R-SMA Female to I-PEX
W9011M	1.2/1.2	0.9dB/1.8dB	11/280	SMA Female to I-PEX
W9015	1.3/1.4	1.0db/1.9db	15/381	R-SMA Female to I-PEX
W9015M	1.3/1.4	1.0dB/1.9dB	15/381	SMA Female to I-PEX
W9020	1.3/1.5	1.1dB/2.0dB	20/508	R-SMA Female to I-PEX
W9020M	1.3/1.5	1.1dB/2.0dB	20/508	SMA Female to I-PEX
W9063B170	1.1/1.9	1.3dB/2.4dB	17/431	I-PEX to R-TNC Female

Cable Assembly for Wireless Application

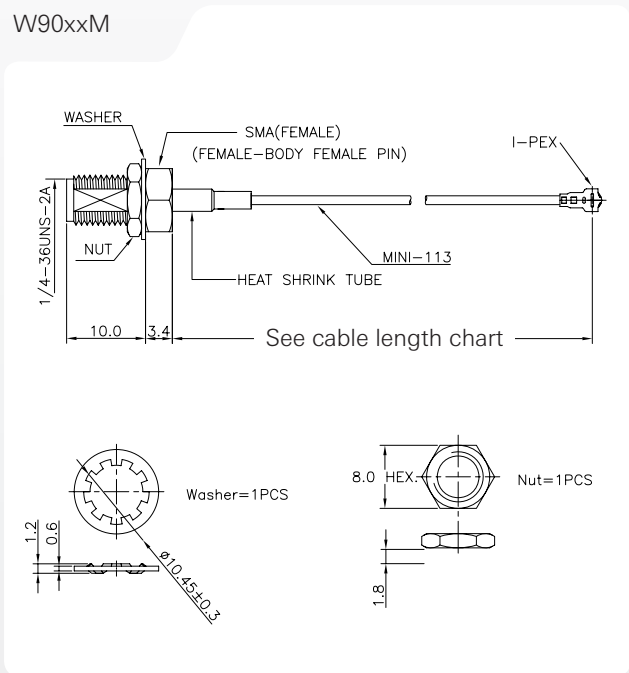
Pulse Part Numbers: W9003, W9006M, W9009, W9011M, & W9063B170

Mechanical Dimensions

W90xx



W90xxM



Part Number	inch/mm
W9003	3/76
W9006	6/150
W9009	9/229
W9011	11/280
W9015	15/381
W9020	20/508

Part Number	inch/mm
W9003M	3/76
W9006M	6/150
W9009M	9/229
W9011M	11/280
W9015M	15/381
W9020M	20/508

Pulse Finland Oy

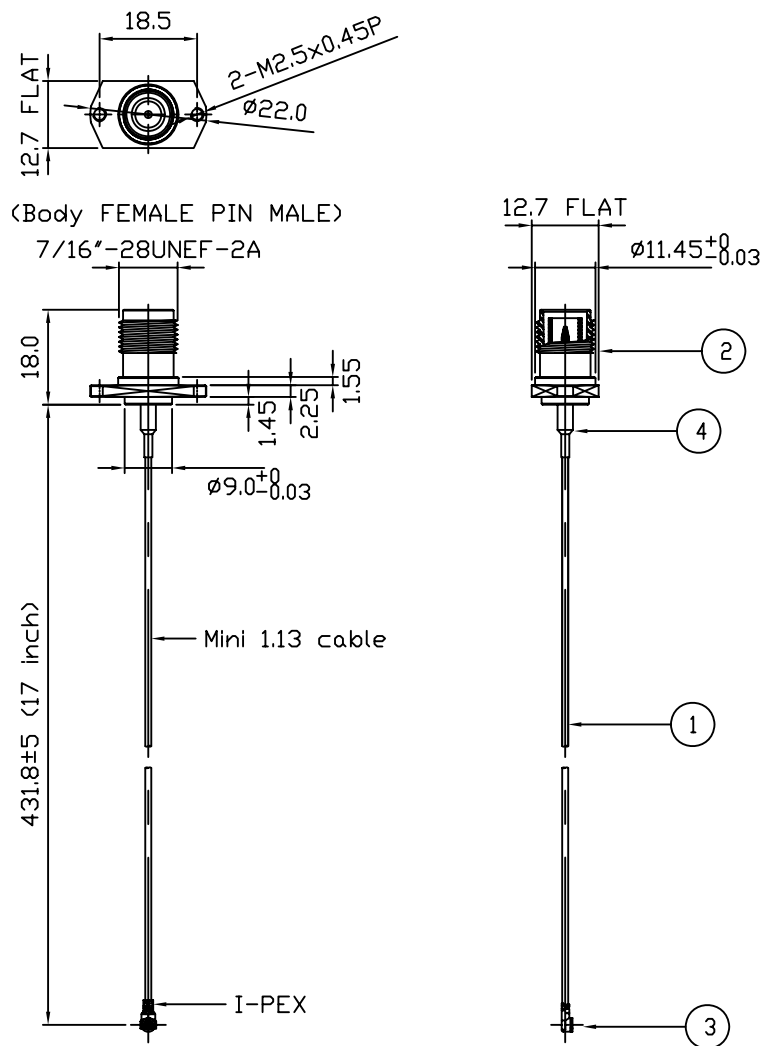
Takatie 6
 90440 Kempele, Finland
 Tel: +358 207 935 500
 Fax: +358 207 935 501
www.pulseeng.com/antennas

Cable Assembly for Wireless Application

Pulse Part Numbers: W9003, W9006M, W9009, W9011M, & W9063B170

Mechanical Dimensions

W9063B170



单击下面可查看定价，库存，交付和生命周期等信息

[>>Pulse\(普思\)](#)