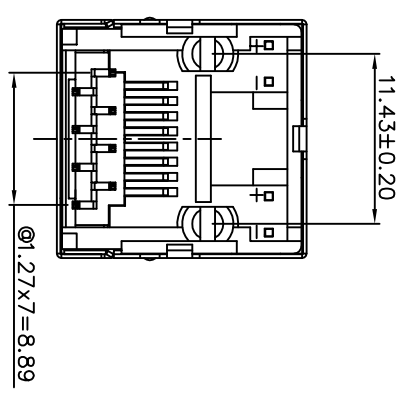
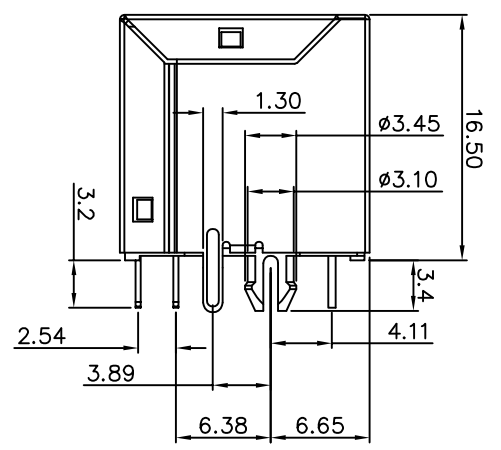
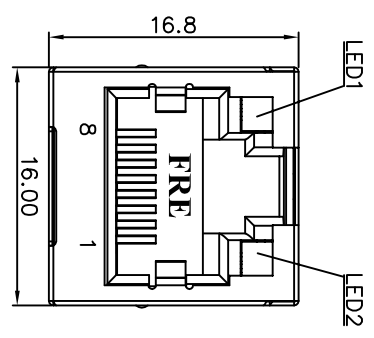


REVISION RECORD	
REV	DESCRIPTION
	DRFT



**NOTES:**

**ELECTRICAL:**

- VOLTAGE RATING : 125 VAC RMS.
- CURRENT RATING : 1.5 AMP.
- CONTACT RESISTANCE : 40 MILLIOHMS MAX.
- INSULATION RESISTANCE : 1000 MEGOHMS MIN. @ 500 VDC.
- DIELECTRIC STRENGTH : 1000 VDC RMS 60Hz, 1MIN.
- LED RATINGS: FORWARD VOLTAGE: 2.2 VOLTS TYPICAL  
REVERSE VOLTAGE: 5 VOLTS MAXIMUM.

**MECHANICAL:**

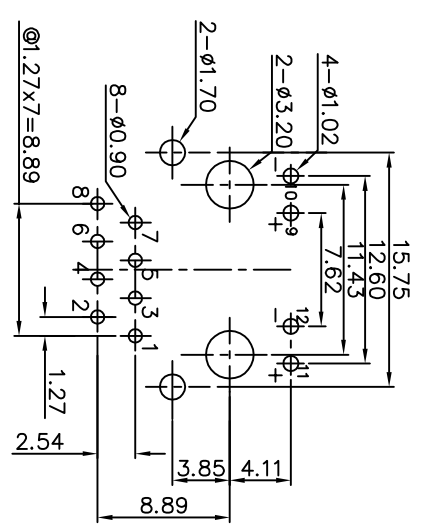
- SHIELD MATERIAL : COPPER ALLOY PLATING NI
- HOUSING MATERIAL : FR50 UL94V-0
- HOUSING COLOR : BLACK
- CONTACT MATERIAL : PHOSPHOR BRONZE t=0.35mm.
- PLATING : GOLD PLATING OVER NICKEL.
- OPERATING LIFE : 750 CYCLES MIN.
- PCB RETENTION PRE-SOLDER : 1 LB MIN.
- PCB RETENTION POST-SOLDER : 10 LBS MIN.

**ENVIRONMENTAL:**

- STORAGE : -40°C TO +85°C.
  - OPERATION: -40°C TO +85°C.
  - WAVE SOLDER TEMPERATURE: 255°C ~ 265°C.  
5~10 SECONDS
- MATES WITH MODULAR PLUG CONFORMING TO  
FCC PART 68, SUBPART F.  
CUL FILE NO. E163191



**LED COLOR DISPLAY**



PC BOARD LAYOUT T=1.60mm  
COMPONENT SIDE SHOWN  
TOLERANCES±0.05mm

DETACHED LISTS		MM (INCH)	
MM	INCH	±	±
0 ± 0.25		±	±
.00 ± 0.20		±	±
.000 ± 0.10		±	±
ANGLES ± 1°		THIRD ANGLE PROJECTION	
TITLE		DRAWING NO.	
R445 TOP ENTRY PCB JACK(W/LED)		CE5288-XX0XX-L	
DFTO: KURT		/PART NO. E5288-3A0C02-L	
DATE: 06/27/2012		DO NOT SCALE DRAWING	
SCALE: 1.5:1		SHEET 1 OF 1	
E5288-3A0C02-L PART NO. SHIELD PLATING FRE LOGO Au PLATING		SIZE A3 REV 0	

单击下面可查看定价，库存，交付和生命周期等信息

[>>Pulse\(普思\)](#)