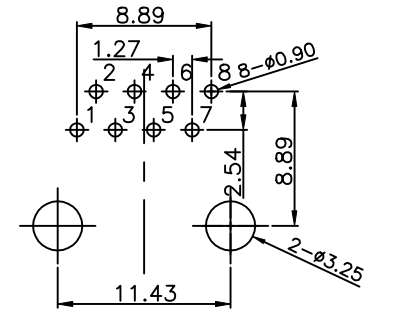
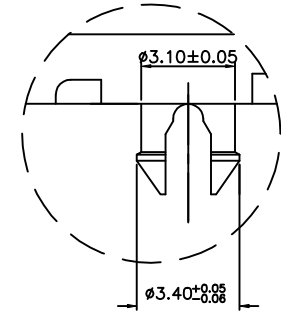
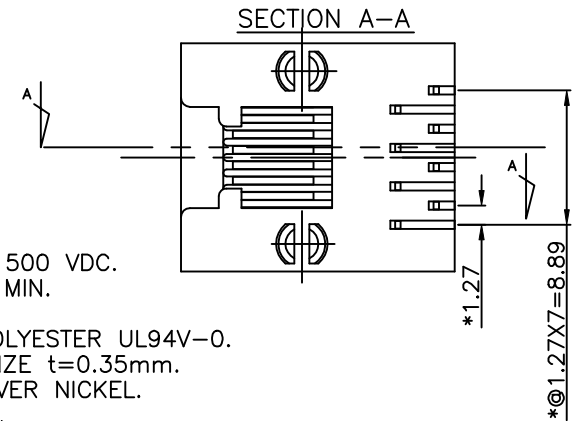
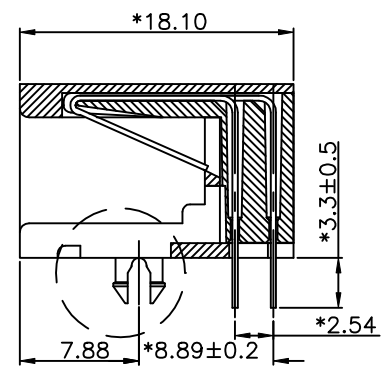
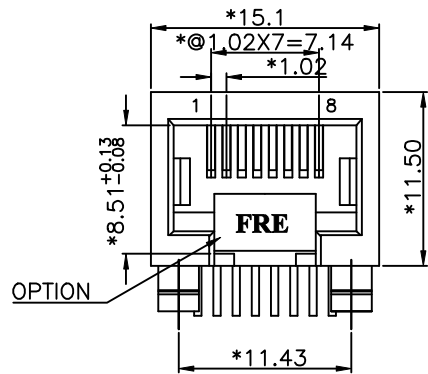


REVISION RECORD				
REV	ECO	DESCRIPTION	DRFT	CHKD
1		NOTES MODIFY	Among 11/08/04	



PCB T=1.60mm
PC BOARD LAYOUT COMPONENT SIDE SHOWN

NOTES:

ELECTRICAL:

1. VOLTAGE RATING : 125 VAC RMS.
2. CURRENT RATING : 1.5 AMP.
3. CONTACT RESISTANCE : 35 MILLIOHMS MAX.
4. INSULATION RESISTANCE: 1000 MEGOHMS MIN @ 500 VDC.
5. DIELECTRIC STRENGTH : 1000 VAC RMS 60Hz, 1MIN.

MECHANICAL:

1. HOUSING MATERIAL : GLASS FILLED POLYESTER UL94V-0.
2. CONTACT MATERIAL : PHOSPHOR BRONZE t=0.35mm.
3. PLATING : GOLD PLATING OVER NICKEL.
4. OPERATING LIFE : 750 CYCLES MIN.
5. PCB RETENTION PRE-SOLDER : 1 LB MIN.
6. PCB RETENTION POST-SOLDER: 10 LBS MIN.

ENVIRONMENTAL:

1. STORAGE : -40°C TO +85°C.
 2. OPERATION: -40°C TO +85°C.
- MATES WITH MODULAR PLUG CONFORMING TO FCC PART 68, SUBPART F.

CUL FILE NO. E163191

PART NUMBER: E538X-E002XX-L

NO OF CONTACT:	1- 3u"	2- 6u"
2- 2C	3-15u"	4-30u"
4- 4C	5-50u"	6-Pd 20u"
6- 6C	1-W/FRE LOGO	
8- 8C	R-W/O LOGO	

MM (INCH)		DFTO SAMMY	DATE 06/22/04
TOLERANCES EXCEPT AS NOTED		CHKD SAMMY	DATE2004/11/16
		MFO	DATE
MM		APPV LUSHENG	DATE2004/11/17
.0	±	MATERIAL :	
.00	±0.15	QT'Y :	
.000	±0.075	FINISH :	
ANGLES ±		SCALE :	
THIRD ANGLE PROJECTION			

FULL RISE ELECTRONIC CO., LTD			
TITLE 11.5 SIDE ENTRY 8P FCC DEEP TYPE(LEAD_FREE)			
DRAWING NO. GE533096		SIZE	REV
/PART NO. SEE NOTE		A3	1
DO NOT SCALE DRAWING		SHEET X	OF Y

单击下面可查看定价，库存，交付和生命周期等信息

[>>Pulse\(普思\)](#)