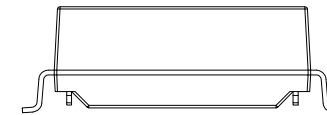
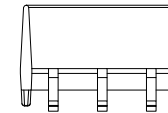
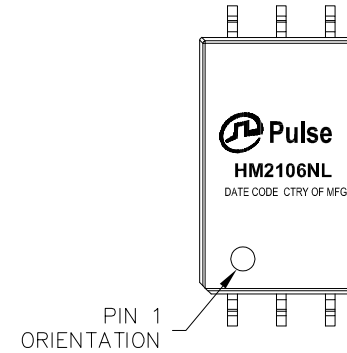




NOTES:

1. ROHS COMPLIANT
2. STORAGE TEMPERATURE: -50°C TO +125°C
3. COMPLIANCE TO J-STD:
  - A. J-STD-002: SOLDERABILITY AT 245°C REFLOW PROFILE
  - B. J-STD-020: LEVEL 1, NO MOISTURE SENSITIVE
  - C. J-STD-075: R7, 245°C MAXIMUM THROUGH REFLOW SOLDER
4. TO ORDER TAPE & REEL PACKAGING ADD A "T" SUFFIX TO THE PART NUMBER(i.e HXXXXXXNL BECOMES HXXXXXXNLT).
5. PACKING SPECIFICATION:  
 REEL SIZE: 330mm  
 TAPE WIDTH: 32mm  
 TAPE PITCH: 16mm  
  
 COMPONENTS PER REEL: 600 pcs



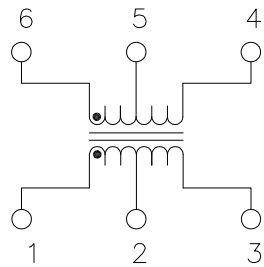
FINAL OUTLINE

© Copyright, 2017. Pulse Electronics Corp. All rights reserved. Pulse confidential & proprietary. (08/29/17)

PRODUCT DESCRIPTION	TLA DRAWING	PS DRAWING	SHEET	PART NO.	DATASHEET REV.
TRANSFORMER,4.3KVDC ISO,SGL,SMT	HM2106NL-P4	PS-00249.003-01	1 OF 5	HM2106NL	G



ELECTRICAL CHARACTERISTICS AT +25°C UNLESS OTHER SPECIFIED  
(FOR REFERENCE ONLY. USED FOR CUSTOMER INFORMATION.)

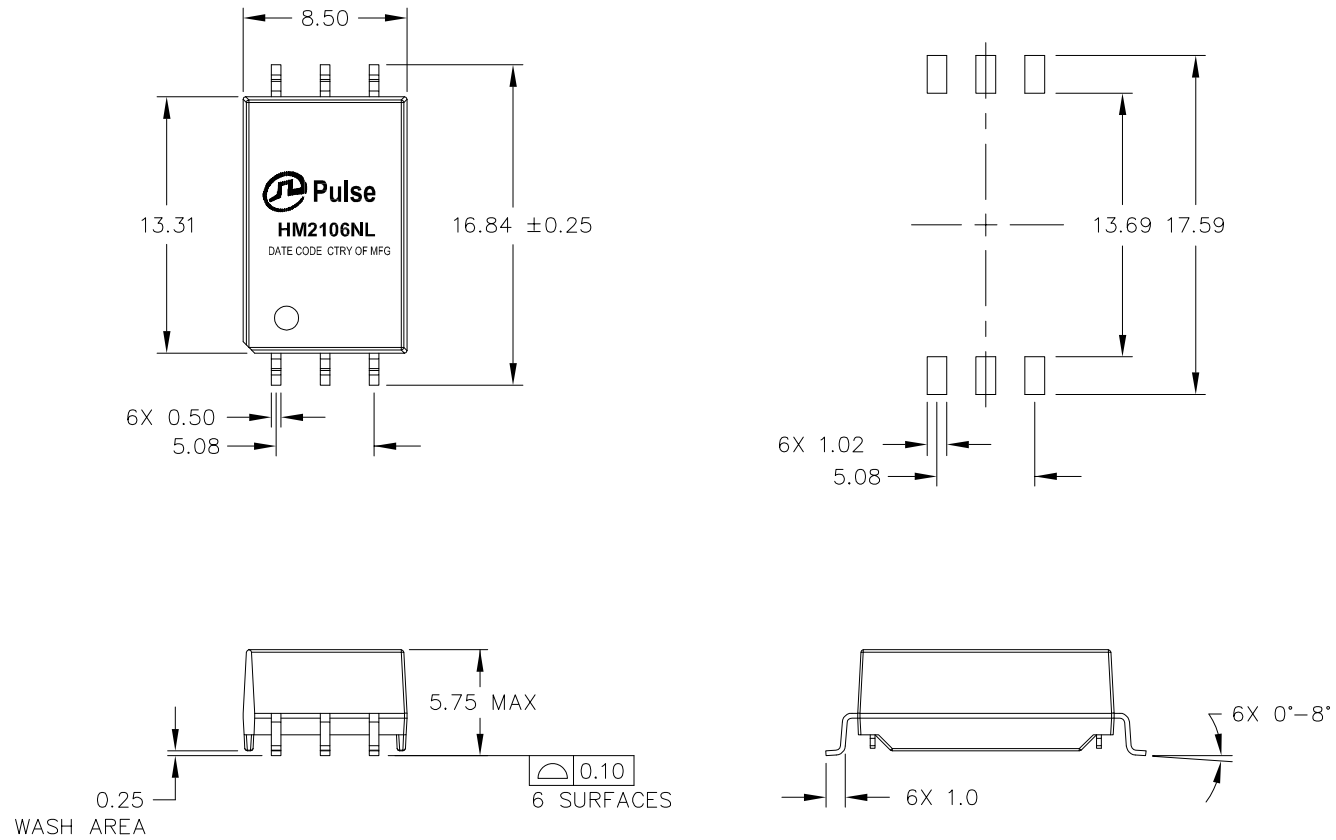


SCHEMATIC

PARAMETER	SPECIFICATIONS
QUALIFICATION	PER AEC-Q200
DESIGN CONSTRUCTION	BASIC INSULATION PER ISO6469/IEC60664
CREEPAGE DISTANCE	> 11mm
OPERATING TEMPERATURE	-40°C TO +125°C
TURNS RATIO	1.00 ± 2%
POLARITY	PER SCHEMATIC
DC RESISTANCE	0.45 OHMS MAX
▽ INDUCTANCE (OCL) AT 100 kHz, 100 mV	135 uH MIN, 370 uH MAX (-40°C ≤ T ≤ -30°C) 150 uH MIN, 370 uH MAX (-30°C < T ≤ 125°C)
LEAKAGE INDUCTANCE	0.50 uH MAX @ 100 kHz
▽ INSERTION LOSS	0.25 dB MAX @ 4 MHz
RETURN LOSS (Z OUT = 100 OHM ±1%)	20 dB MIN @ 4 MHz
▽ INPUT - OUTPUT ISOLATION	4300 VDC FOR 60 SECONDS WITH 1.0 mA MAX OF LEAKAGE CURRENT
INSULATION RESISTANCE	400 MEGAOHMS MINIMUM
WORKING VOLTAGE	1000 VDC FOR 15 YEARS

NOTE: "▽" IS SPECIAL CHARACTERISTIC.

PRODUCT DESCRIPTION	TLA DRAWING	PS DRAWING	SHEET	PART NO.	DATASHEET REV.
TRANSFORMER,4.3KVDC ISO,SGL,SMT	HM2106NL-P4	PS-00249.003-01	2 OF 5	HM2106NL	G

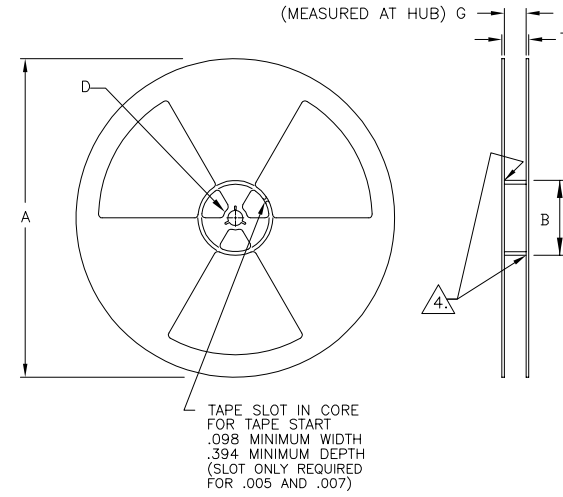
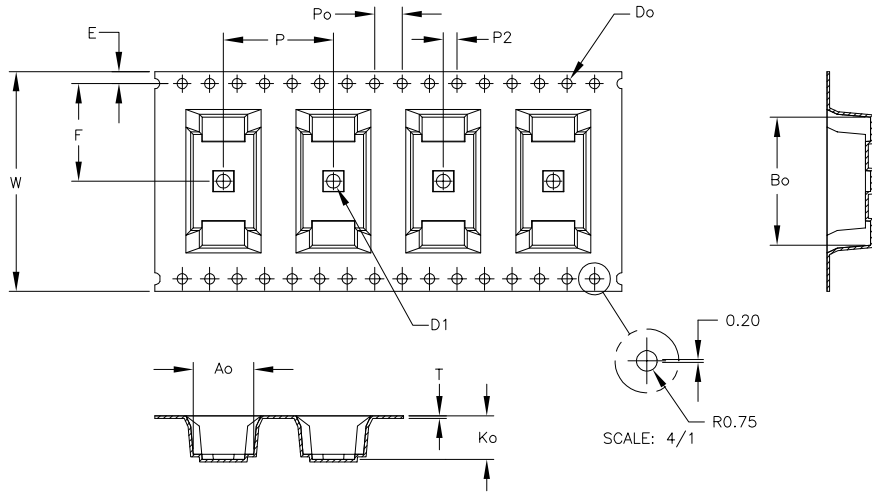


DIMENSIONS ARE IN MILLIMETERS WITH THE FOLLOWING TOLERANCES:  
 X.X= ±0.25  
 X.XX= ±0.13

© Copyright, 2017. Pulse Electronics Corp. All rights reserved. Pulse confidential & proprietary. (08/29/17)

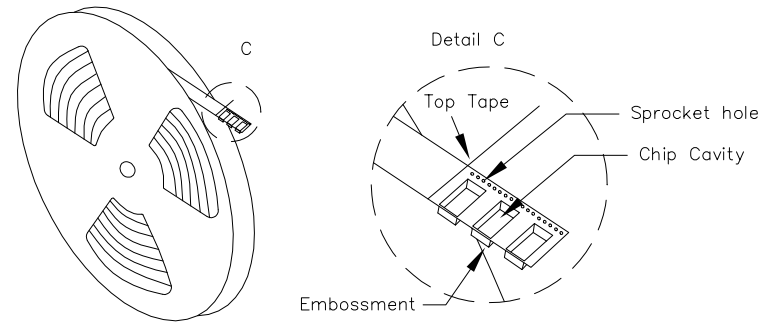
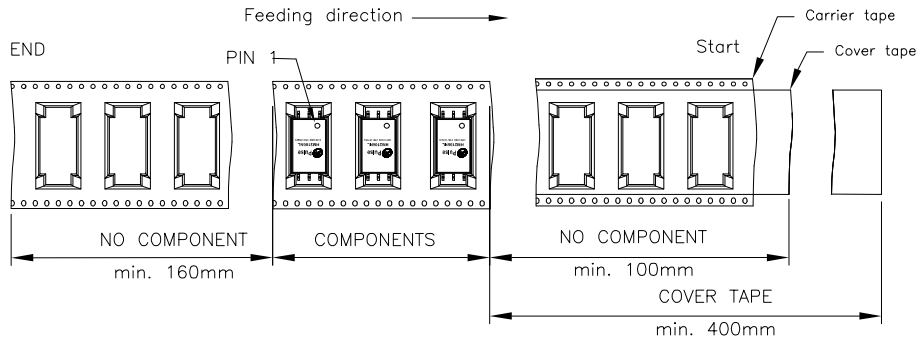
PRODUCT DESCRIPTION	TLA DRAWING	PS DRAWING	SHEET	PART NO.	DATASHEET REV.
TRANSFORMER,4.3KVDC ISO,SGL,SMT	HM2106NL-P4	PS-00249.003-01	3 OF 5	HM2106NL	G

USER DIRECTION OF FEED  
→



ITEM	W	Ao	Bo	Ko	K1	P	F	E	Do	D1	Po	P2	T
DIM	32.00 ±0.30	8.8 ±0.10	18.6 ±0.10	6.35 ±0.10		16.00 ±0.10	14.2 ±0.10	1.75 ±0.10	1.50 +0.10 -0.00	2.0 +0.10 -0.00	4.00 ±0.10	2.00 ±0.10	0.40 ±0.05

	A	B	D	T	G	G
Tolerance		min.	min.	max.	min.	max.
Tape width mm	330.00	100.00	20.20	38.4	32.4	34.4



© Copyright, 2017. Pulse Electronics Corp. All rights reserved. Pulse confidential & proprietary. (08/29/17)

PRODUCT DESCRIPTION	TLA DRAWING	PS DRAWING	SHEET	PART NO.	DATASHEET REV.
TRANSFORMER,4.3KVDC ISO,SGL,SMT	HM2106NL-P4	PS-00249.003-01	4 OF 5	HM2106NL	G



## REVISION HISTORY:

REV	DESCRIPTION
A	NEW DS
B	ADD "PER ISO6469/IEC60664"
C	CHANGE WORK VOLTAGE FORM 1600VDC TO 1000VDC.
D	ADD PACKAGE INFORMATION AND RELAX OCL SPEC.
E	ADD SC WITH "*"
F	CHANGE SC FROM "*" TO "▽"
G	CHANGE DIMENSION FROM 6X 1.00 TO 6X 1.0

© Copyright, 2017. Pulse Electronics Corp. All rights reserved. Pulse confidential & proprietary. (08/29/17)

PRODUCT DESCRIPTION	TLA DRAWING	PS DRAWING	SHEET	PART NO.	DATASHEET REV.
TRANSFORMER,4.3KVDC ISO,SGL,SMT	HM2106NL-P4	PS-00249.003-01	5 OF 5	HM2106NL	G

单击下面可查看定价，库存，交付和生命周期等信息

[>>Pulse\(普思\)](#)