

# DATA SHEET

## WIRELESS COMPONENTS

PCB type antenna  
ANTX100P001BWPEN3  
850/900/1800/1900/2100 MHz



FEATURES & BENEFITS

- The smallest PCB antenna in the market
- Miniature design allows users to save required space
- Double-side adhesive tape makes it easy to instal in device
- Ranges of types of connector and cable provide a flexible design options
- Halogen free and RoHS compliant

APPLICATIONS

- Tablet / Desktop PC
- Internet TV / STB / Game console / DS
- WiFi network devices (IEEE 802.11 b/g/n)
- Bluetooth / ZigBee devices
- Car Infotainment
- Smart meter
- Smart home
- POS terminal
- Wireless Industrial Control

ORDERING INFORMATION-GLOBAL PART NUMBER, PHYCOMP

CTC & I2NC

All part numbers are identified by the series, packing type, material, size, antenna type, working frequency and packing quantity.

**YAGEO BRAND ordering code**

**GLOBAL PART NUMBER (PREFERRED)**

**ANT X100 P 001 B WPEN 3**

(1) (2) (3) (4) (5) (6) (7)

---

**(1) FAMILY**

ANT = Antenna products

---

**(2) CONNECTOR & CABLE LENGTH (MM)**

X = I-PEX  
100 = 100mm

---

**(3) ANTENNA TYPE**

P=PCB

---

**(4) SERIAL NUMBER**

001 = SERIAL NUMBER 001

---

**(5) PACKAGE TYPE**

B = Bulk

---

**(6) WORKING FREQUENCY**

WPEN = 850/900/1800/1900/2100 MHz

---

**(7) CABLE TYPE**

3 = 1.13mm diameter Mini-Coaxial Cable

---

**SPECIFICATIONS**

Table 1

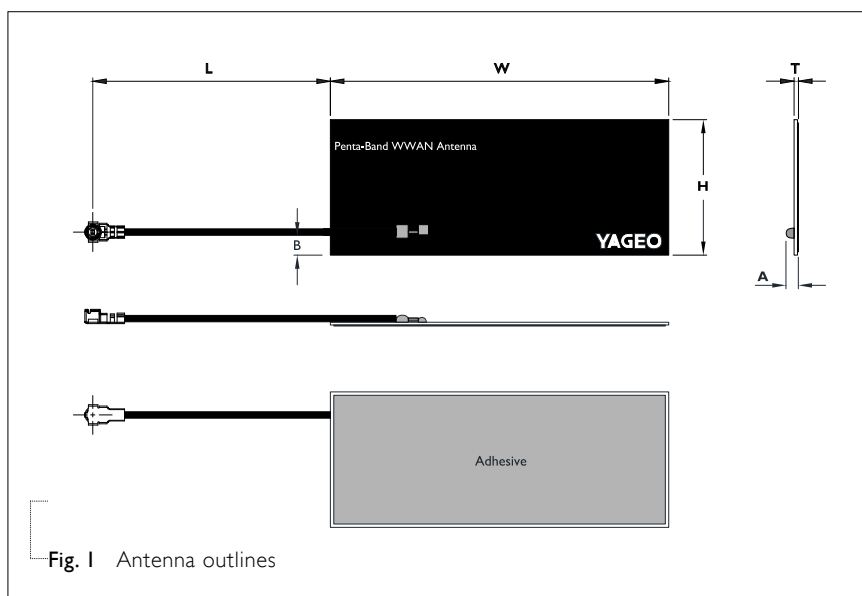
DESCRIPTION	VALUE
Working Frequency	850/900/1800/1900/2100MHz
VSWR	3.0:1 max
Peak Gain	850MHz /4.2dbi(Typ) 900MHz/5.1 dbi(Typ) 1800MHz /3.9dbi(Typ) 1900MHz /5.0dbi(Typ) 2100MHz /4.5dbi(Typ)
Polarization	Linear
Radiation Pattern	Omni-directional
Impedance	50 Ω Nominal
Operating Temperature	- 40 °C to 85 °C
Maximum Power	1 W
PCB Dimension	50mm x 20mm x 0.95mm
Radio Connector	I-PEX (20278-112R-13)
Cable Diameter / Length / Color	1.13mm / 100mm / Black
Mounting	Adhesive Tape (HF-DS)

**DIMENSIONS**

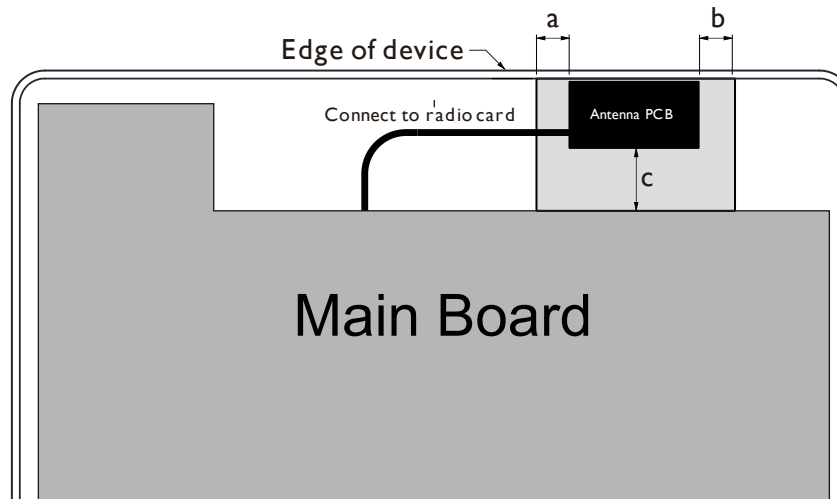
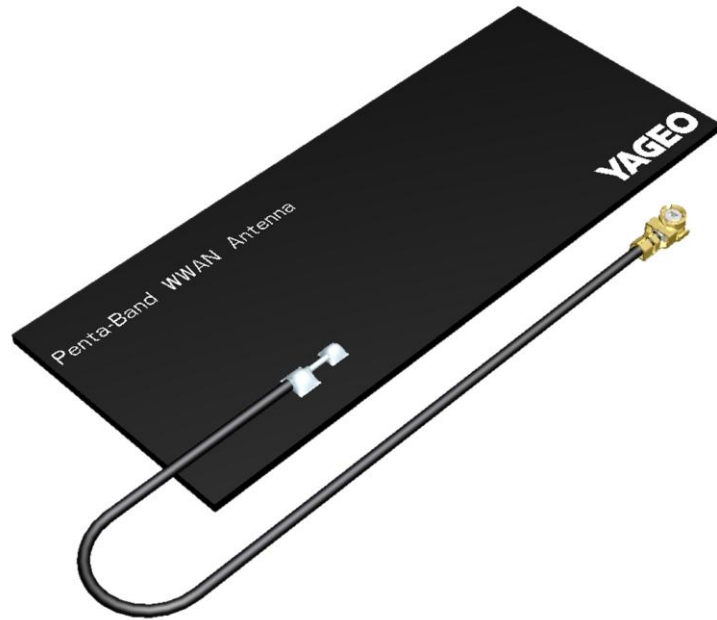
Table 2 Mechanical Dimension

DIMENSION	VALUE
L (mm)	100 ±3.00
W (mm)	50 ± 0.30
H (mm)	20 ± 0.30
T (mm)	0.95 ± 0.15
A (mm)	2.30 Max
B (mm)	1.80 ± 1.00

**OUTLINES**



APPLICATION INSTRUCTION



Antenna element should be placed at the edge of device, has minimum clearance from metallic object:

- A: 5 mm Min
- B: 5 mm Min
- C: 10 mm Min

Fig. 2 Application Instruction

RETURN LOSS & VSWR



Fig. 3 Return loss & VSWR Measurement

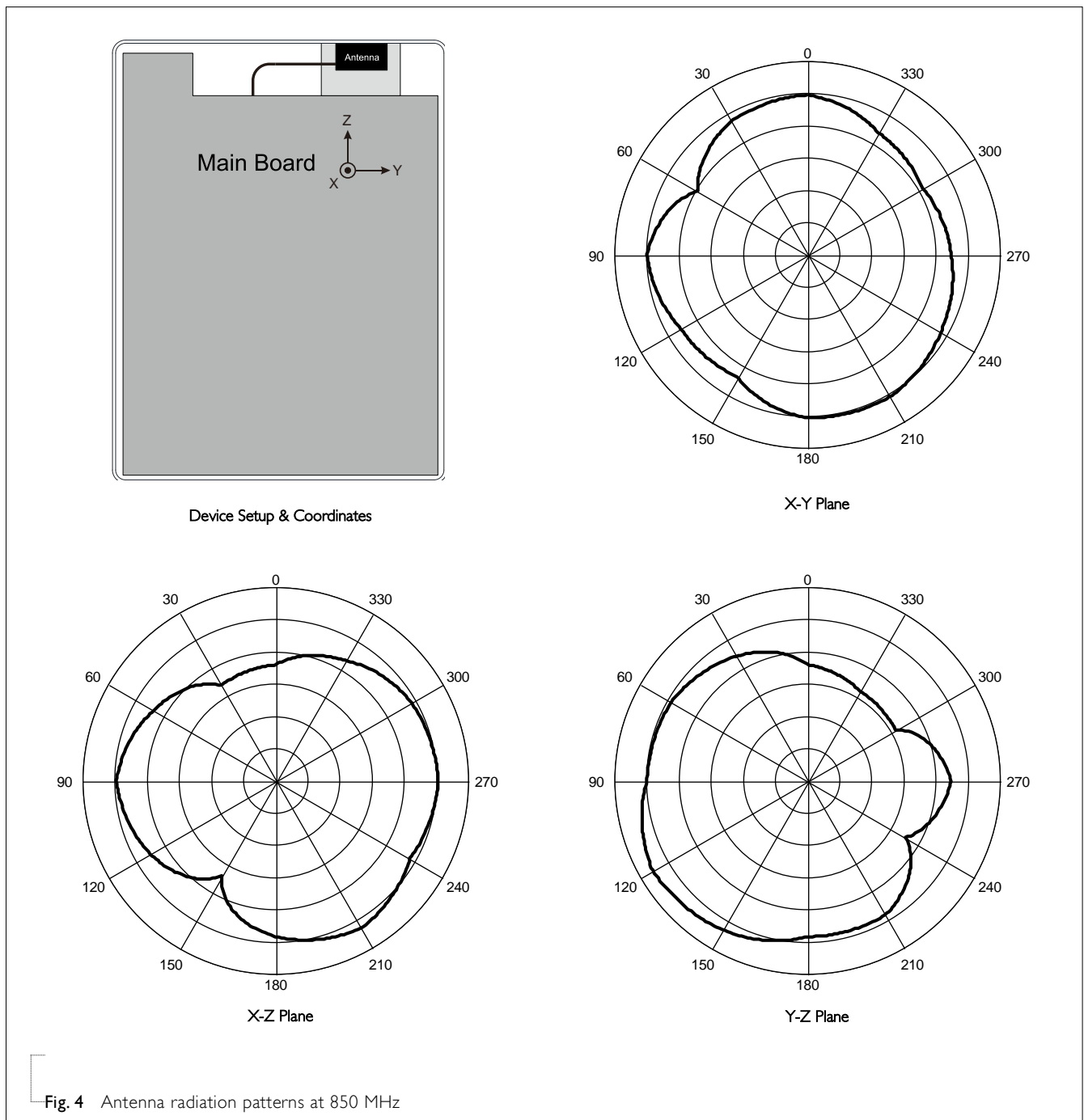
**ANTENNA GAIN & EFFICIENCY**

Table 3

FREQUENCY (MHz)	AVERAGE GAIN (dBi)	EFFICIENCY (%)	PEAK GAIN (dBi)
850	-2.2	60	4.2
900	-1.7	68	5.1
1800	-2.6	55	3.9
1900	-1.2	76	5.0
2100	-2.1	62	4.5

**ANTENNA RADIATION PATTERNS**

Scale: 5 dBi / div Max : 5 dBi Min : -25 dBi



**ANTENNA GAIN & EFFICIENCY**

Table 4

FREQUENCY (MHz)	AVERAGE GAIN (dBi)	EFFICIENCY (%)	PEAK GAIN (dBi)
850	-2.2	60	4.2
900	-1.7	68	5.1
1800	-2.6	55	3.9
1900	-1.2	76	5.0
2100	-2.1	62	4.5

**ANTENNA RADIATION PATTERNS**

Scale: 5 dBi / div Max : 5 dBi Min : -25 dBi

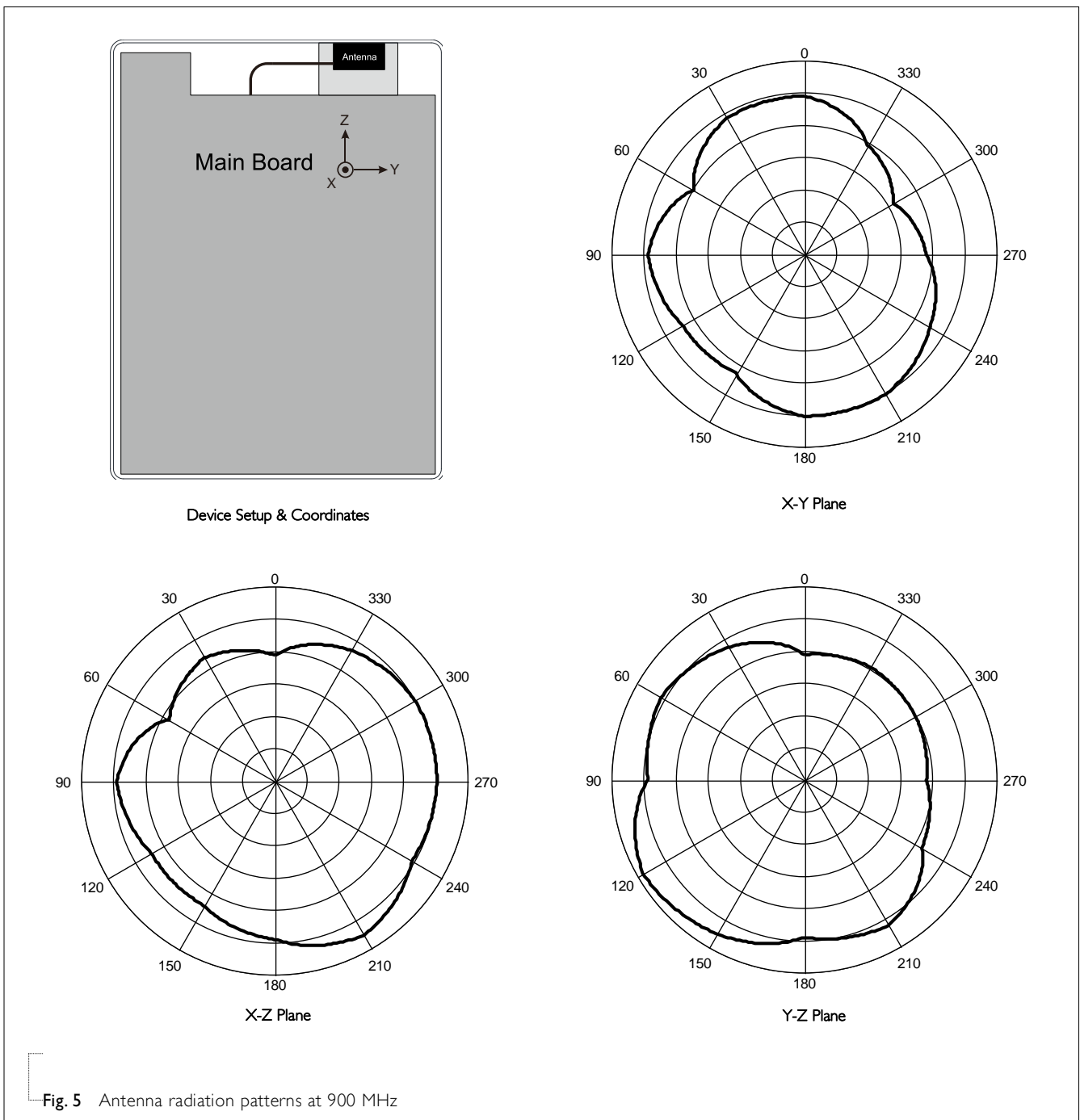


Fig. 5 Antenna radiation patterns at 900 MHz

**ANTENNA GAIN & EFFICIENCY**

Table 4

FREQUENCY (MHz)	AVERAGE GAIN (dBi)	EFFICIENCY (%)	PEAK GAIN (dBi)
850	-2.2	60	4.2
900	-1.7	68	5.1
1800	-2.6	55	3.9
1900	-1.2	76	5.0
2100	-2.1	62	4.5

**ANTENNA RADIATION PATTERNS**

Scale: 5 dBi / div Max : 5 dBi Min : -25 dBi

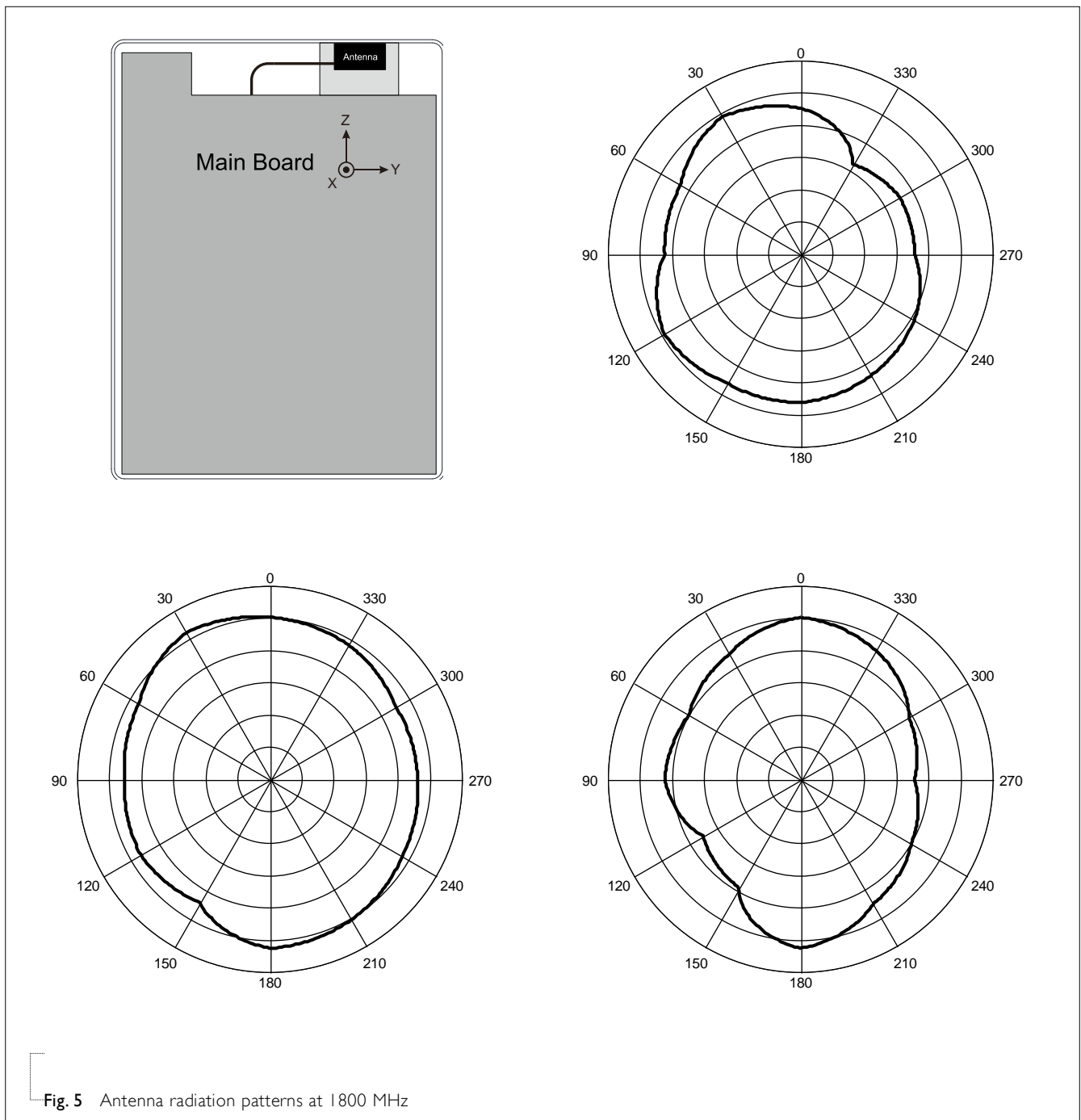


Fig. 5 Antenna radiation patterns at 1800 MHz



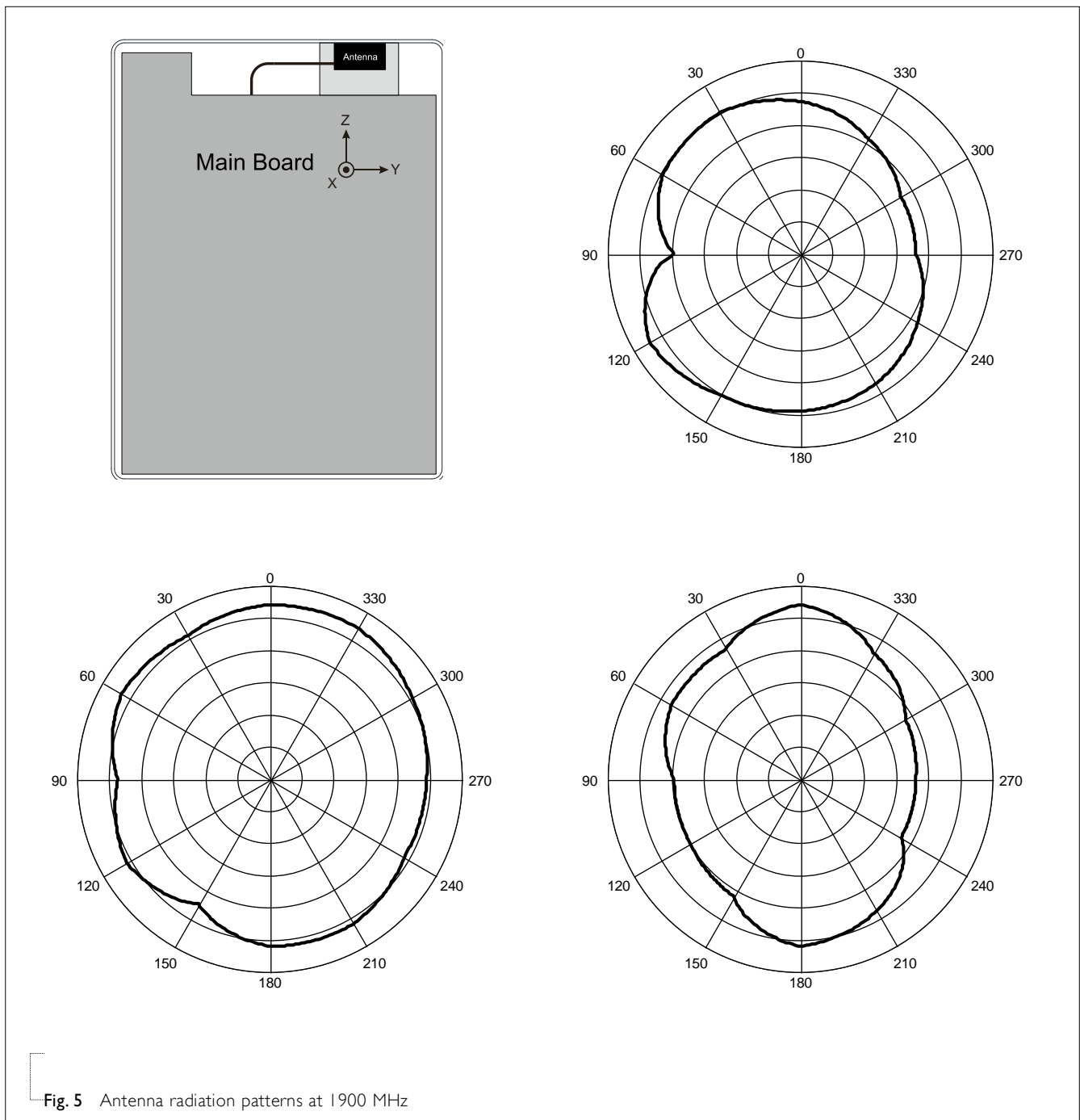
**ANTENNA GAIN & EFFICIENCY**

Table 4

FREQUENCY (MHz)	AVERAGE GAIN (dBi)	EFFICIENCY (%)	PEAK GAIN (dBi)
850	-2.2	60	4.2
900	-1.7	68	5.1
1800	-2.6	55	3.9
1900	-1.2	76	5.0
2100	-2.1	62	4.5

**ANTENNA RADIATION PATTERNS**

Scale: 5 dBi / div Max : 5 dBi Min : -25 dBi



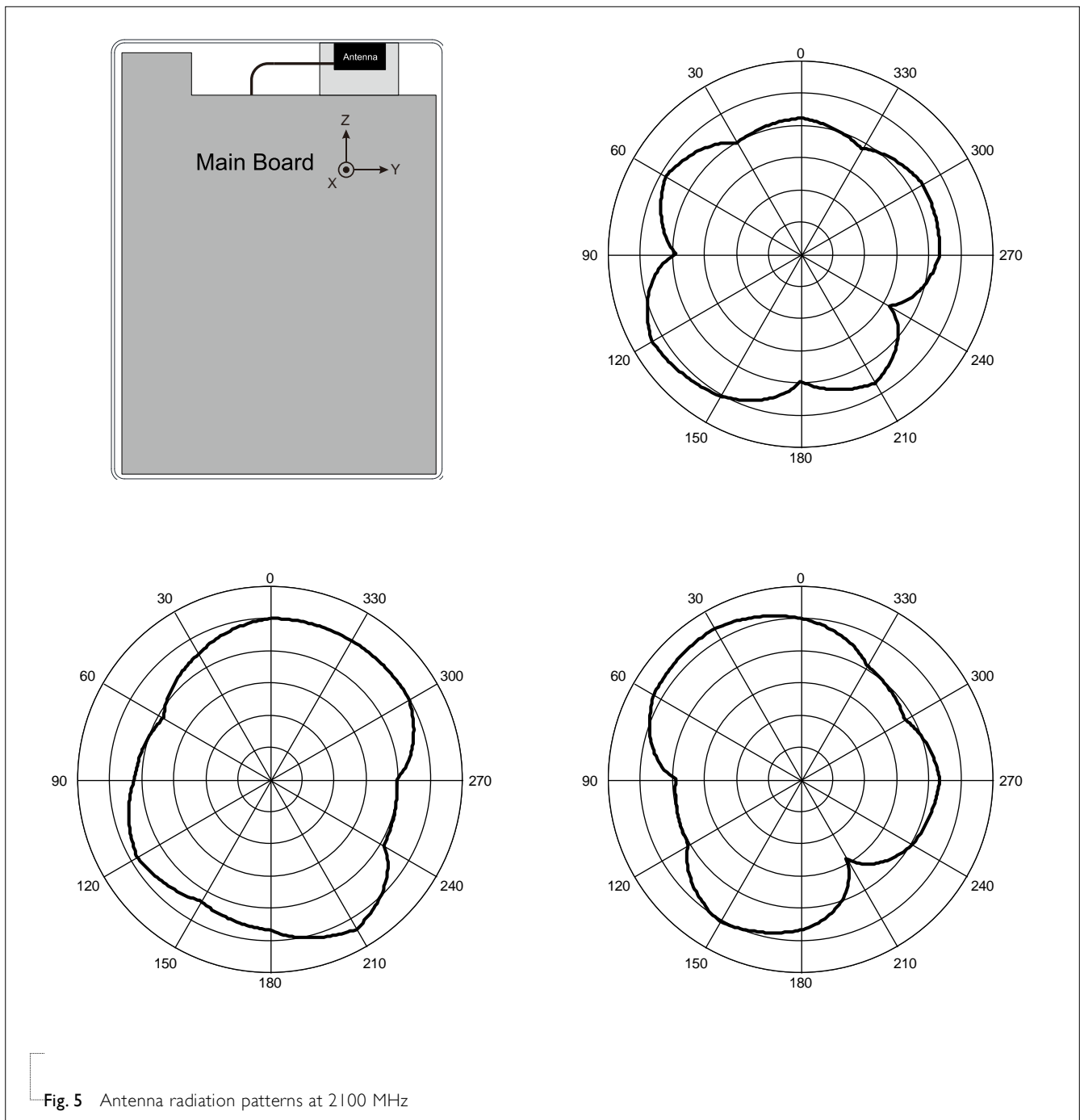
**ANTENNA GAIN & EFFICIENCY**

Table 4

FREQUENCY (MHz)	AVERAGE GAIN (dBi)	EFFICIENCY (%)	PEAK GAIN (dBi)
850	-2.2	60	4.2
900	-1.7	68	5.1
1800	-2.6	55	3.9
1900	-1.2	76	5.0
2100	-2.1	62	4.5

**ANTENNA RADIATION PATTERNS**

Scale: 5 dBi / div Max : 5 dBi Min : -25 dBi



REVISION HISTORY

REVISION	DATE	CHANGE NOTIFICATION	DESCRIPTION
Version 0	Jun. 10, 2014	-	- New data sheet for PCB type antenna, 850/900/1800/1900/2100 MHz

单击下面可查看定价，库存，交付和生命周期等信息

[>>Pulse\(普思\)](#)