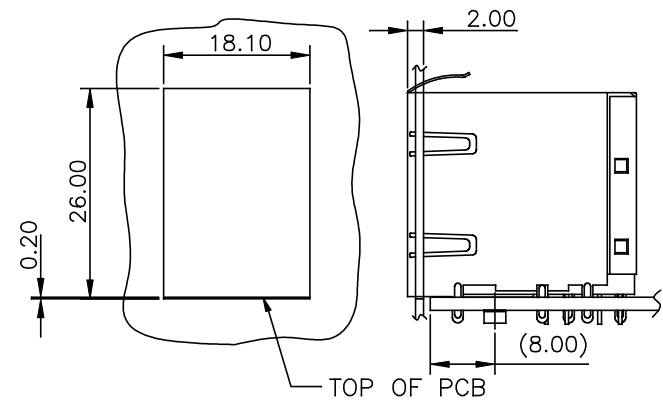
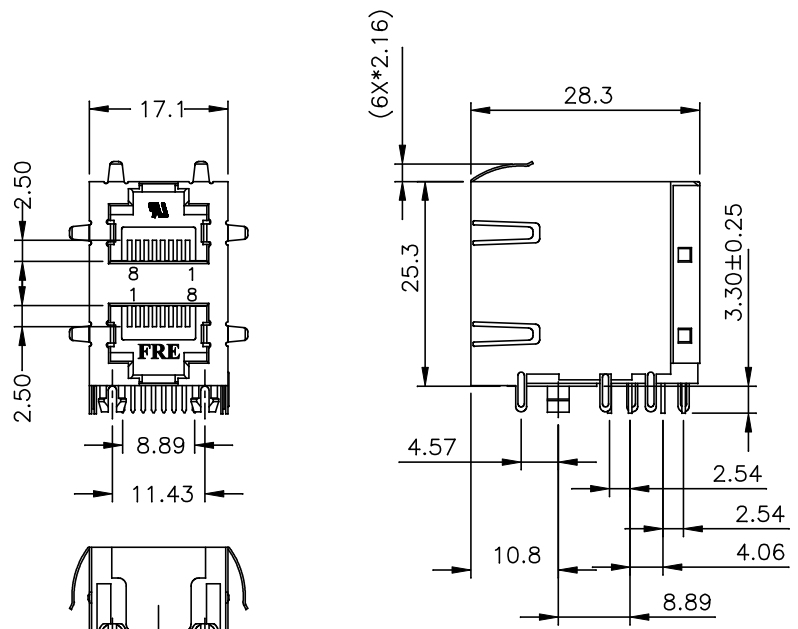


REVISION RECORD		
REV	DESCRIPTION	DRFT
1	ADD HEIGHT DIM OF TABS	VICTOR



TOLERANCE: ±0.10
RECOMMENDED PANEL CUT OUT

NOTES:

ELECTRICAL:

- VOLTAGE RATING : 125 VAC RMS.
- CURRENT RATING : 1.5 AMP.
- CONTACT RESISTANCE : 60 MILLIOHMS MAX.
- INSULATION RESISTANCE: 1000 MEGOHMS MIN @ 500 VDC.
- DIELECTRIC STRENGTH : 1000 VDC RMS 60Hz, 1MIN.

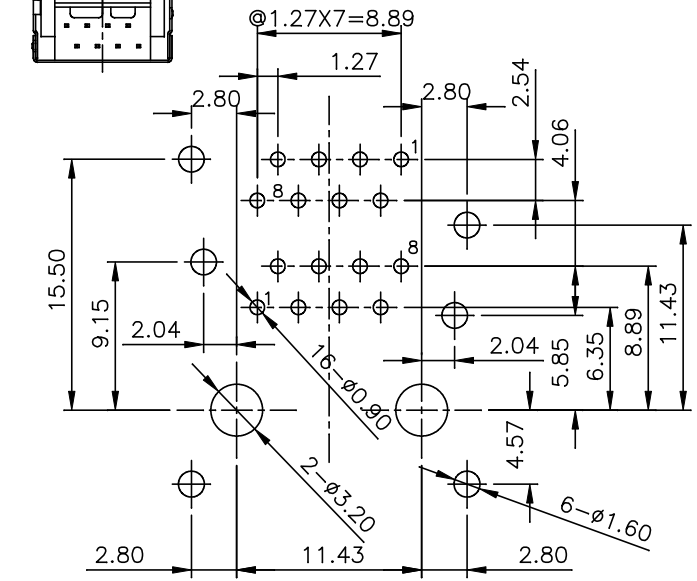
MECHANICAL:

- HOUSING MATERIAL : GLASS FIBER FILLED NYLON, UL94V-0/BLACK.
- INSERT MATERIAL : GLASS FIBER FILLED NYLON, UL94V-0/BLACK.
- CONTACT MATERIAL : PHOSPHOR BRONZE t=0.35mm.
- SHIELD MATERIAL : COPPER ALLOY WITH NICKEL PLATING.
- PLATING : GOLD PLATING OVER NICKEL.
- OPERATING LIFE : 750 CYCLES MIN.
- PCB RETENTION PRE-SOLDER : 1 LB MIN.
- PCB RETENTION POST-SOLDER: 10 LBS MIN.

ENVIRONMENTAL:

- STORAGE : -40°C TO +85°C.
- OPERATION: -40°C TO +85°C.
- WAVE SOLDERING TEMPERATURE: 255°C~265°C (5~10 SECONDS).
- RoHS COMPLIANT.

MATES WITH MODULAR PLUG CONFORMING TO
FCC PART 68, SUBPART F.
CUL FILE NO. E163191.



PC BOARD LAYOUT T=1.60mm
COMPONENT SIDE SHOWN
TOLERANCES ±0.05mm

E5908-4V0S54-L	30u"
PART NO.	Au PLATING

		RoHS Compliant			
TOLERANCES EXCEPT AS NOTED MM .0 ± 0.25 ± .00 ± 0.20 ± .000 ± 0.10 ±		TITLE STAMPED PIN III W/SHIELD JACK, 2X1			
ANGLES ± 1°		DFTO : ELLA		DRAWING NO. CE5908-4V0S5X-L	
		DATE : 11/07/2012		/PART NO. E5908-4V0S54-L	
THIRD ANGLE PROJECTION		SCALE : 1.5:1		DO NOT SCALE DRAWING	
SHEET 1 OF 1				SIZE A3 REV 1	

单击下面可查看定价，库存，交付和生命周期等信息

[>>Pulse Electronics\(普思\)](#)