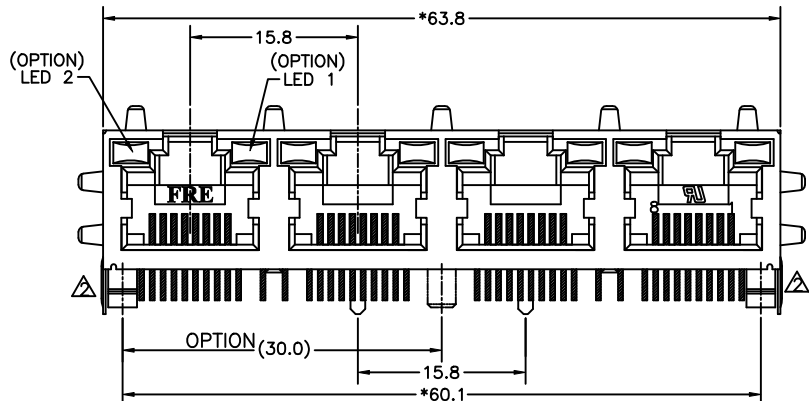


PC Board Layout (t=1.60mm)
Component Side Shown



NOTES:

ELECTRICAL:

1. VOLTAGE RATING : 125 VAC RMS.
2. CURRENT RATING : 1.5 AMP.
3. CONTACT RESISTANCE : 30 MILLIOHMS MAX.
4. INSULATION RESISTANCE: 1000 MEGOHMS MIN @ 500 VDC.
5. DIELECTRIC STRENGTH : 1000 VAC RMS 60Hz, 1MIN.
6. LED RATINGS: FORWARD VOLTAGE: 2.2 VOLTS TYPICAL.
REVERSE VOLTAGE: 5 VOLTS MAXIMUM
7. OPERATING: 750 CYCLES MIN.

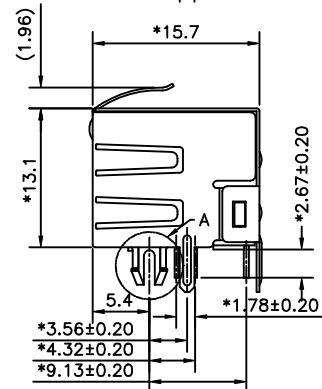
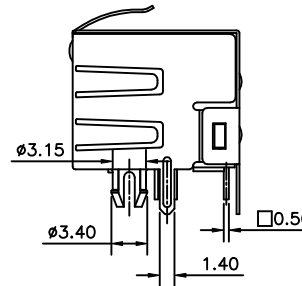
MECHANICAL:

1. HOUSING MATERIAL : PBT+30%.GF UL94V-0. COLOR-BLACK.
2. INSERT MATERIAL : PBT+30%GF UL94V-0. COLOR-BLACK.
3. BACK PLATE MATERIAL : PBT+30%GF. COLOR-BLACK.
4. LED SIZE : 3.2*2.0*7.0*P=2.54mm.
5. SHIELD MATERIAL : COPPER ALLOY 0.25mm THICKNESS PLATING NI.
6. CONTACT MATERIAL : PHOSPHOR BRONZE 0.35mm THICKNESS OR 0.46mm.
7. PLATING : GOLD PLATING OVER NICKEL.
8. PCB RETENTION PRE-SOLDER : 1 LB MIN.
9. PCB RETENTION POST-SOLDER: 10 LBS MIN.

ENVIRONMENTAL:

1. STORAGE : -40°C TO +85°C.
 2. OPERATION: 0°C TO 70°C.
 3. WAVE SOLDERING TEMPERATURE:230~250°C(5~10 SECONDS)
- MATES WITH MODULAR PLUG CONFORMING TO FCC PART 68, SUBPART F.

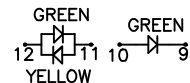
CUL FILE No:E163191



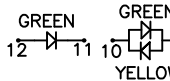
*3.56±0.20
*4.32±0.20
*9.13±0.20

PART NUMBER: E 5J 8 8 - X X X X X X - L

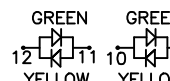
- 1-LED1:GREEN ,LED2:YELLOW
- 2-LED1:GREEN ,LED2:GREEN
- 3-LED1:YELLOW ,LED2:GREEN
- 4-LED1:G+Y ,LED2:G+Y
- 5-LED1:RED ,LED2:GREEN
- 7-LED1:YELLOW ,LED2:YELLOW
- D-LED1:G+R ,LED2:G+R
- E-LED1:GREEN ,LED2:RED
- N-LED1:GREEN ,LED2:G+Y
- P-LED1:Y+R ,LED2:GREEN
- Q-LED1:G+Y ,LED2:G+R
- S-LED1:Y+R ,LED2:Y+R
- V-LED1:Y+G ,LED2:Y+G
- K-LED1:G+Y ,LED2:GREEN



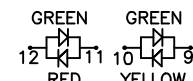
FOR P/N:E5J88-NXCOXX-L



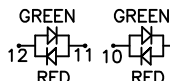
FOR P/N:E5J88-KXCOXX-L



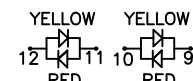
FOR P/N:E5J88-4XCOXX-L



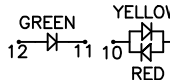
FOR P/N:E5J88-QXCOXX-L



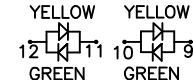
FOR P/N:E5J88-DXCOXX-L



FOR P/N:E5J88-SXCOXX-L



FOR P/N:E5J88-PXCOXX-L



FOR P/N:E5J88-VXCOXX-L

- PLATING: 1-3u" 2-6u"
3-15u" 4-30u" 5-50u"
- 1- PLATE Tin SHIELD,STAMP PIN,LED LONG 7.00
 - 2- PLATE Ni SHIELD,STAMP PIN,LED LONG 7.00
 - 3- PLATE Tin SHIELD,ROUND PIN,LED LONG 7.00
 - 4- PLATE Ni SHIELD,ROUND PIN,LED LONG 7.00
 - 0-W/O LOGO
 - 6-W/ FRE&UL
 - 4-4 PORTS W/O MIDDLE POLE
 - C-4 PORTS W/ MIDDLE POLE
 - 0-NO SHIELD
 - 1-NO TAB 2-TOP TABS.
 - 3-SIDE TABS.
 - 4-TOP TABS & SIDE TABS.

← MM (INCH) →		DFTO PETERS	DATE 03/24/05	FULL RISE ELECTRONIC CO., LTD		
TOLERANCES EXCEPT AS NOTED		CHKD JAKE	DATE 2005/08/23			
DETACHED LISTS	MM	MFO	DATE	TITLE		
	.0 ± 0.20	APPV LUSHENG	DATE 2005/08/23			
	.00 ± 0.15	MATERIAL :		RJ45 SIDE ENTRY LED GANG JACK 4 PORTS		
	.000 ± 0.075	MATERIAL :				
ANGLES ±	QT'Y :	DRAWING NO. GE5J3017-LC		SIZE	REV	
THIRD ANGLE PROJECTION		FINISH :	/PART NO. SEE NOTE		A3	2
		SCALE : 2:1	DO NOT SCALE DRAWING		SHEET 1	OF 1

单击下面可查看定价，库存，交付和生命周期等信息

[>>Pulse\(普思\)](#)