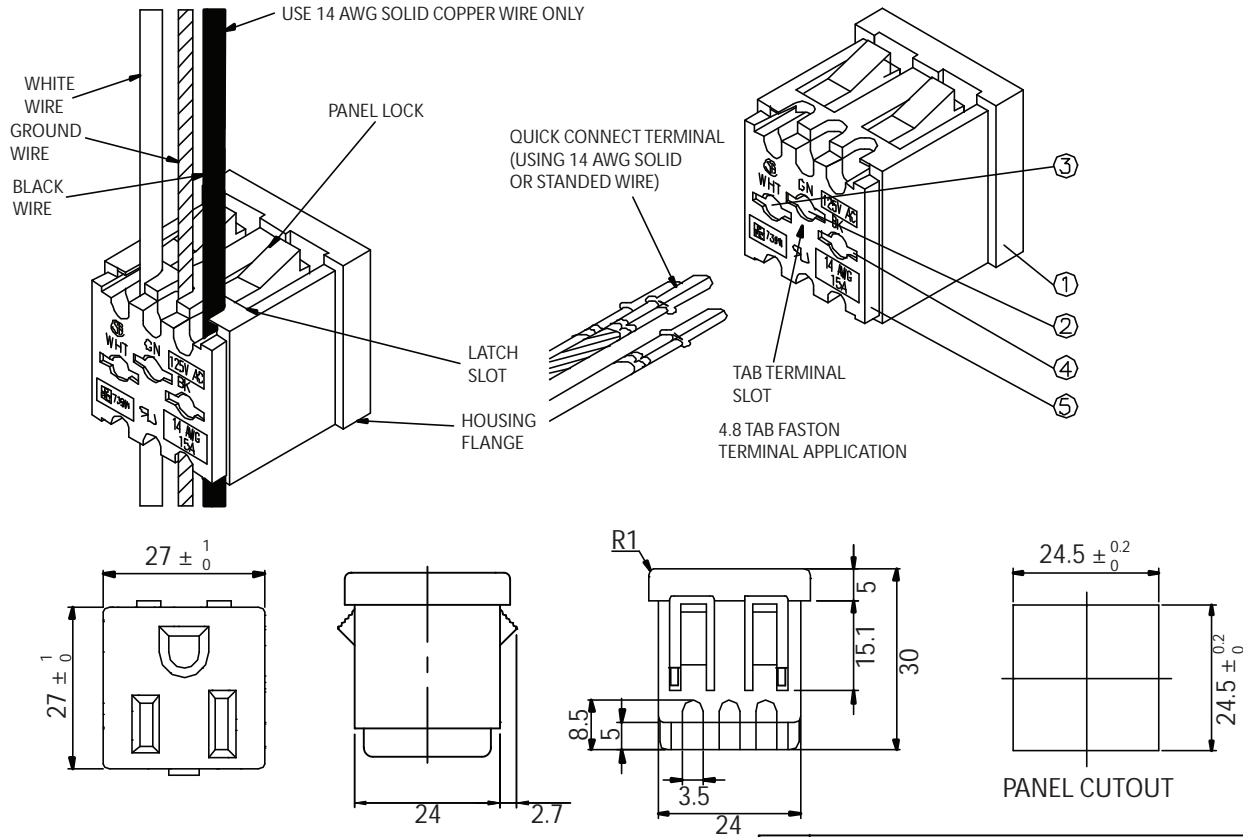


THESE DRAWINGS ARE THE PROPERTY OF QUALTEK ELECTRONICS AND NOT TO BE REPRODUCED FOR OR COMMUNICATED TO A THIRD PARTY WITHOUT THE EXPRESS WRITTEN PERMISSION OF AN OFFICER OF QUALTEK ELECTRONICS.

REVISION			
REV.	DESCRIPTION	DATE	APPROVED
B	RoHS Compliancy	06-01-06	DP
C	Specifications Update	09-14-07	DP



CONTROLLED

NOTES:

USE COPPER WIRE ONLY
 RATING: 15A 125V AC
 APPROVALS: UL,CSA
 PANEL THICKNESS: 0.8~1.8mm
 RoHS COMPLIANT

5	Cover back of the body, NYLON Black Color	1
4	Contact PIN Brass Strip t=0.4mm Cu-Plated	1
3	Contact PIN Brass Strip t=0.4mm Ni-Plated	1
2	Contact PIN Brass Strip t=0.4mm Cu-Plated	1
1	Body Insulator NYLON Black Color	1

Dim range (mm)	Tolerance +/- (mm)	Qualtek Electronics Corp. PPC DIVISION		
		Part Number: 739W-X2/03	RoHS Compliant	
0-1	0.15	Description: AC RECEPTACLE		
1-6	0.20			
6-18	0.30		UNIT: mm	REV. C
18-50	0.50	Drawn / Date	Checked / Date	Approved / Date
120-250	0.90	B.ZHANG 11-14-02	11-14-02	JJH / 11-14-02
250-500	1.20			

单击下面可查看定价，库存，交付和生命周期等信息

[>>QUALTEK](#)