

## Tiny Package, High Performance, Regulated Charge Pump

### General Description

The RT9361A/B is a high performance charge pump DC/DC converter that produces a regulated 4.5V and 5V output. No external inductor is required for operation. The operating voltage range is 2.8V to  $V_{OUT}$ . Internal soft-start circuitry effectively reduces the in-rush current both while start-up and mode change.

The RT9361A/B features very low quiescent current, over current protection and short circuit protection.

The RT9361A/B is available in WDFN-6L 2x2, SOT-23-6 and TSOT-23-6 package.

### Ordering Information

RT9361A/B □ □	Package Type
	E : SOT-23-6
	J6 : TSOT-23-6
	QW : WDFN-6L 2x2 (W-Type)
	Lead Plating System
	P : Pb Free
	G : Green (Halogen Free and Pb Free)
	Output Voltage
	A : 5V
	B : 4.5V

Note :

Richtek products are :

- ▶ RoHS compliant and compatible with the current requirements of IPC/JEDEC J-STD-020.
- ▶ Suitable for use in SnPb or Pb-free soldering processes.

### Features

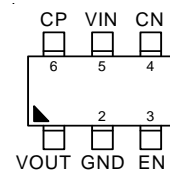
- Input Voltage Range : 2.8V to  $V_{OUT}$
- Internal Soft Start Function
- 5V/4.5V Fixed Output Voltage
- Over Current Protection Function
- Short Circuit Protection Function
- RoHS Compliant and 100% Lead (Pb)-Free

### Applications

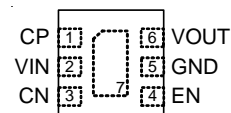
- Mobile phone, Smart Phone LED Backlight
- Camera Flash White LED
- LCD Display Supply

### Pin Configuration

(TOP VIEW)



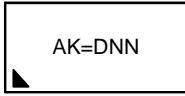
SOT-23-6/TSOT-23-6



WDFN-6L 2x2

## Marking Information

RT9361AGJ6



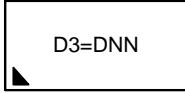
AK= : Product Code  
DNN : Date Code

RT9361APJ6



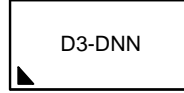
AK- : Product Code  
DNN : Date Code

RT9361AGE



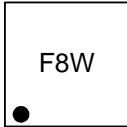
D3= : Product Code  
DNN : Date Code

RT9361APE



D3- : Product Code  
DNN : Date Code

RT9361AGQW



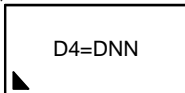
F8 : Product Code  
W : Date Code

RT9361BPJ6



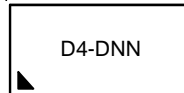
AL- : Product Code  
DNN : Date Code

RT9361BGE



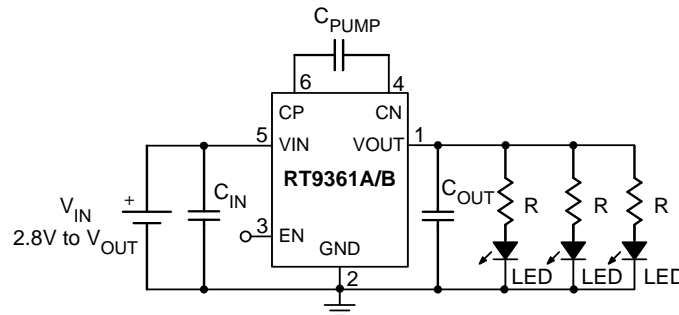
D4= : Product Code  
DNN : Date Code

RT9361BPE



D4- : Product Code  
DNN : Date Code

## Typical Application Circuit

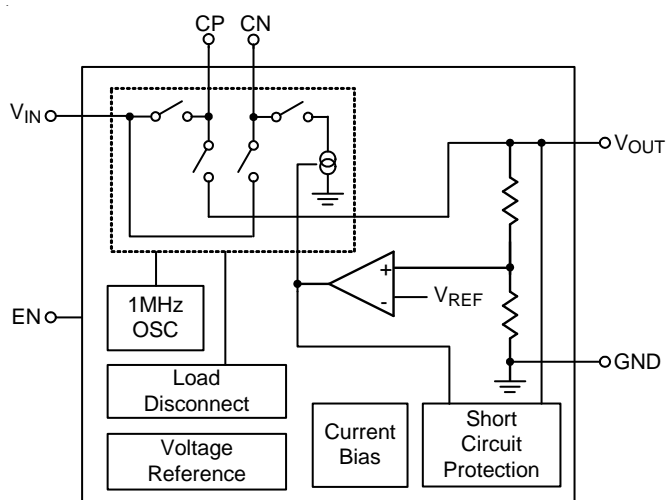


Part No.	Application Configuration	C <sub>IN</sub> (μF)	C <sub>PUMP</sub> (μF)	C <sub>OUT</sub> (μF)
RT9361A	I <sub>OUT</sub> < 60mA @ V <sub>IN</sub> > 3.2V,	1 or 2.2	0.22	1 or 2.2
	I <sub>OUT</sub> < 110mA @ V <sub>IN</sub> > 3.2V,	10	1	10
RT9361B	I <sub>OUT</sub> < 80mA @ V <sub>IN</sub> > 3.2V,	1 or 2.2	0.22	1 or 2.2
	I <sub>OUT</sub> < 150mA @ V <sub>IN</sub> > 3.2V,	10	1	10

**Functional Pin Description**

Pin Number		Pin Name	Pin Function
T/SOT-23-6	WDFN-6L 2x2		
1	6	VOUT	Output voltage
2	5, Exposed Pad (7)	GND	Ground. The exposed pad must be soldered to a large PCB and connected to GND for maximum power dissipation.
3	4	EN	Chip enable (active high)
4	3	CN	Flying capacitor negative terminal
5	2	VIN	Power input voltage
6	1	CP	Flying capacitor positive terminal

**Functional Block Diagram**



## Absolute Maximum Ratings (Note 1)

- Supply Input Voltage ----- -0.3V to 6V
- Other I/O Pin Voltages ----- -0.3V to 6V
- Power Dissipation,  $P_D$  @  $T_A = 25^\circ\text{C}$ 
  - T/SOT-23-6 ----- 0.4W
  - WDFN-6L 2x2 ----- 0.606W
- Package Thermal Resistance (Note 2)
  - T/SOT-23-6,  $\theta_{JA}$  ----- 250°C/W
  - WDFN-6L 2x2,  $\theta_{JA}$  ----- 165°C/W
- Junction Temperature ----- 150°C
- Lead Temperature (Soldering, 10 sec.) ----- 260°C
- Storage Temperature Range ----- -65°C to 150°C
- ESD Susceptibility (Note 3)
  - HBM (Human Body Mode) ----- 2kV
  - MM (Machine Mode) ----- 200V

## Recommended Operating Conditions (Note 4)

- Ambient Temperature Range ----- -40°C to 85°C
- Junction Temperature Range ----- -40°C to 125°C

## Electrical Characteristics

( $V_{IN} = 3.7\text{V}$ ,  $T_A = 25^\circ\text{C}$ , unless otherwise specified)

Parameter	Symbol	Test Conditions	Min	Typ	Max	Unit
Operation Voltage Range	$V_{IN}$	$V_{OUT} = 5\text{V}$	2.8	--	$V_{OUT}$	V
Output Voltage	$V_{OUT}$	RT9361A, $V_{IN} = 3.17\text{V}$ to $3.43\text{V}$ , $I_{OUT} \leq 55\text{mA}$	4.83	5	5.2	V
		RT9361A, $V_{IN} > 3.2\text{V}$ , $I_{OUT} < 110\text{mA}$	4.8	5	5.2	V
		RT9361B, $V_{IN} > 3.2\text{V}$ , $I_{OUT} < 150\text{mA}$	4.32	4.5	4.68	V
Quiescent Current	$I_Q$	$I_{OUT} = 0$	--	2	4	mA
Maximum Output Current	$I_{OUT}$	RT9361A, $V_{IN} > 3.2\text{V}$ , $C_{PUMP} = 1\mu\text{F}$ (Note 5)	110	--	--	mA
		RT9361B, $V_{IN} > 3.2\text{V}$ , $C_{PUMP} = 1\mu\text{F}$ (Note 5)	150	--	--	
OCP	$I_{OCP}$		250	350	500	mA
Short Circuit Current		During start-up period	--	75	110	mA
Output Ripple		$I_{OUT} = 60\text{mA}$ , $C_{OUT} = 2.2\mu\text{F}$	--	30	--	mV
Shut Down Current	$I_{SHDN}$	$V_{IN} = 4.5\text{V}$ , $V_{EN} < 0.4\text{V}$	--	0.1	1	$\mu\text{A}$
Operation Frequency	$F_{OSC}$		0.8	1	1.3	MHz
Digital Input High Level	$V_{IH}$		1.5	--	--	V
Digital Input Low Level	$V_{IL}$		--	--	0.4	V

**Note 1.** Stresses beyond those listed "Absolute Maximum Ratings" may cause permanent damage to the device. These are stress ratings only, and functional operation of the device at these or any other conditions beyond those indicated in the operational sections of the specifications is not implied. Exposure to absolute maximum rating conditions may affect device reliability.

**Note 2.**  $\theta_{JA}$  is measured at  $T_A = 25^\circ\text{C}$  on a low effective thermal conductivity single-layer test board per JEDEC 51-3.

**Note 3.** Devices are ESD sensitive. Handling precaution is recommended.

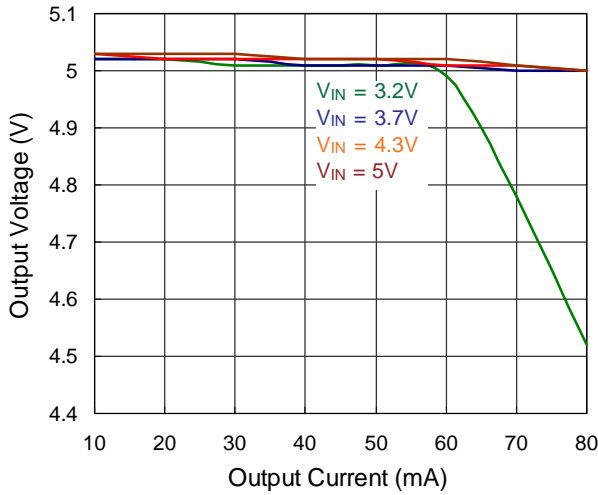
**Note 4.** The device is not guaranteed to function outside its operating conditions.

**Note 5.** Maximum Output Current ability is defined in  $V_{OUT}$  (4.5/5V) ready.

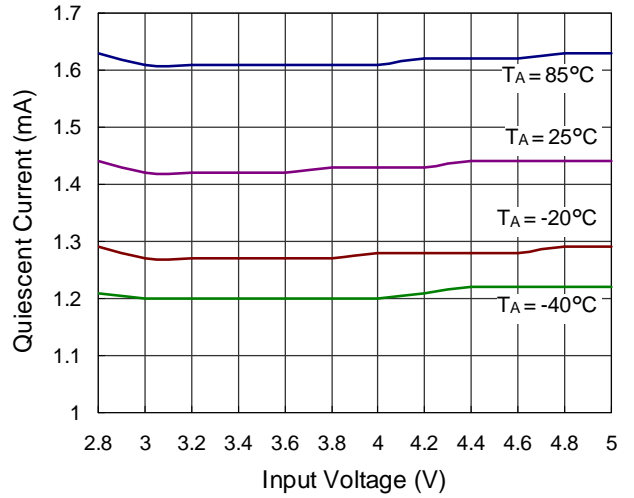
## Typical Operating Characteristics

(For RT9361A,  $C_{IN} = C_{OUT} = 2.2\mu F$ ,  $C_{PUMP} = 0.22\mu F$ ,  $T_A = 25^\circ C$ , unless otherwise specified)

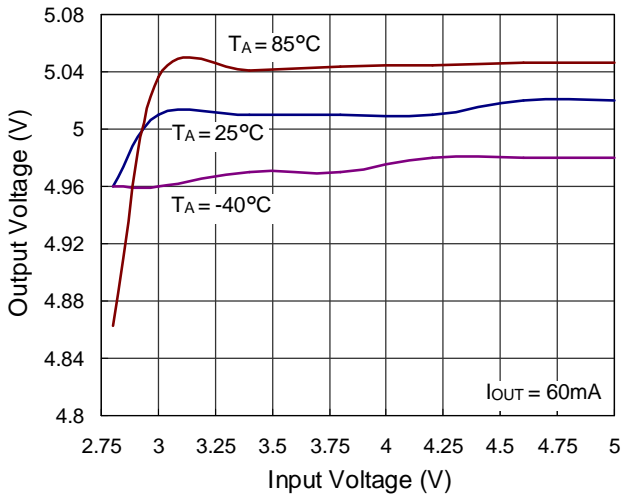
### Output Voltage vs. Output Current



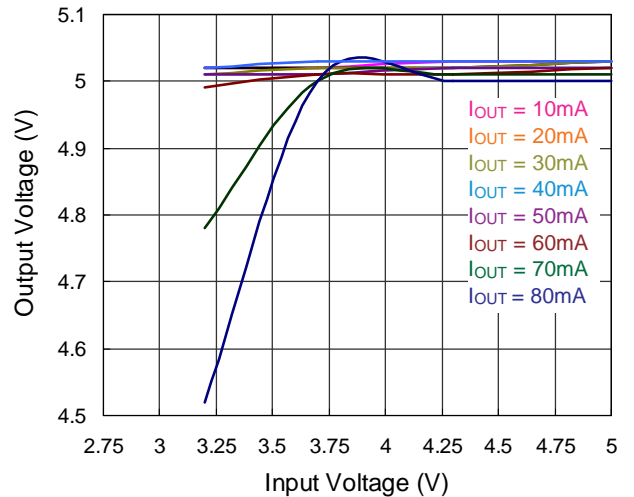
### Quiescent Current vs. Input Voltage



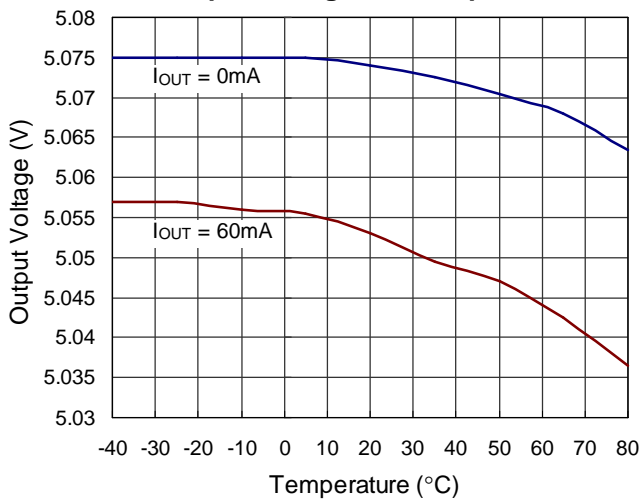
### Output Voltage vs. Input Voltage



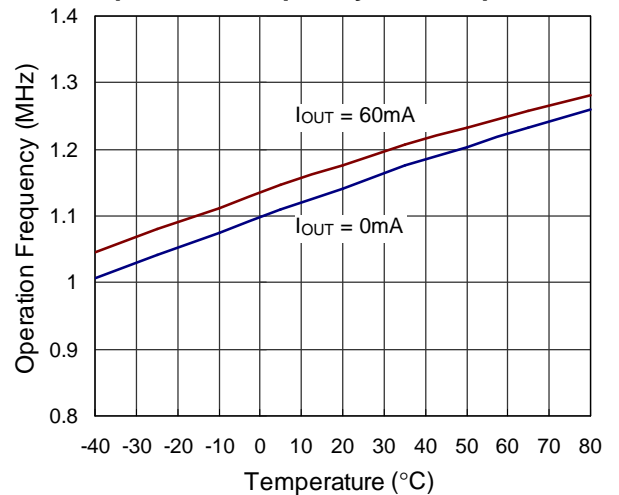
### Output Voltage vs. Input Voltage

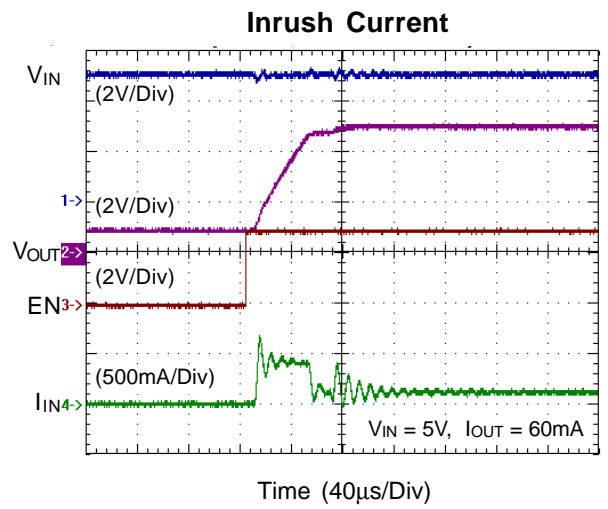
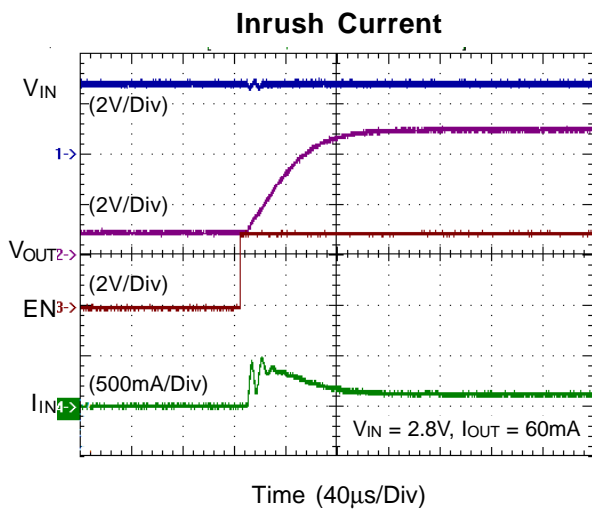
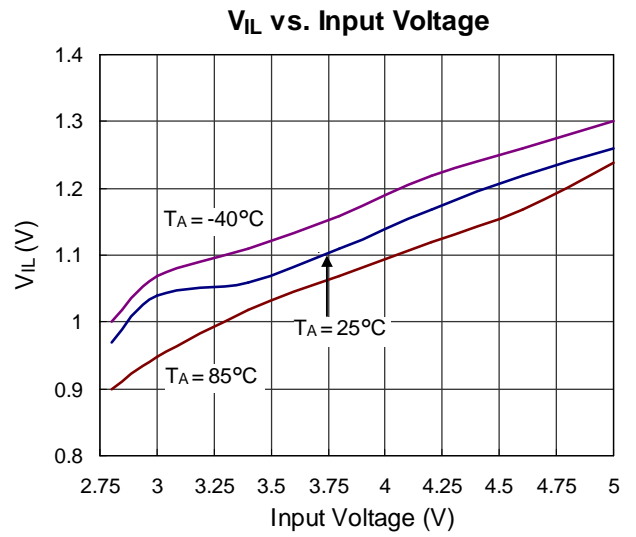
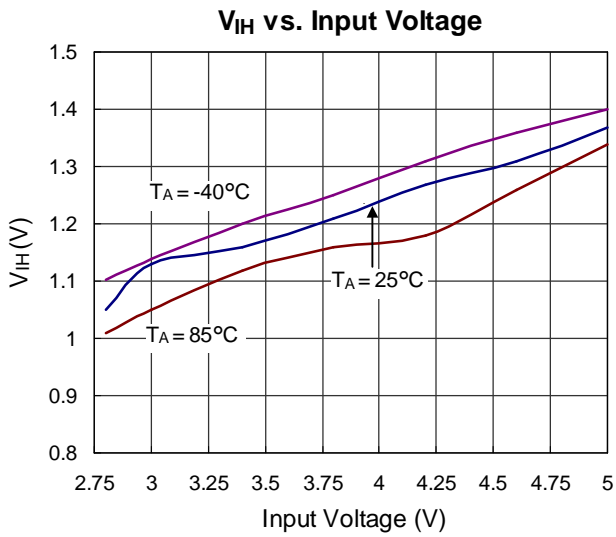
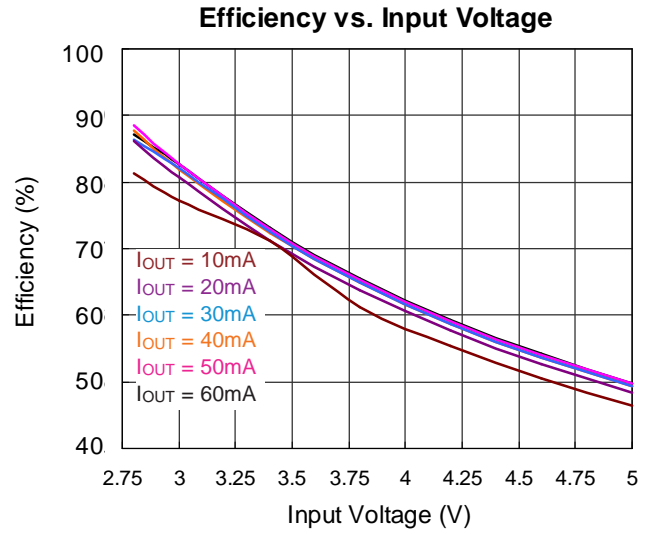
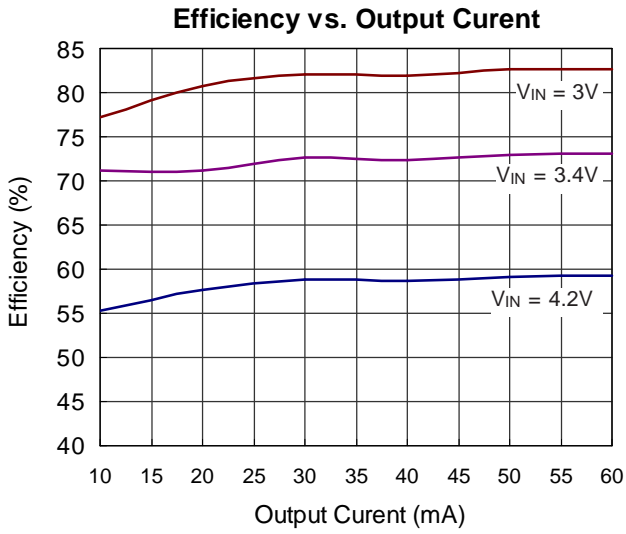


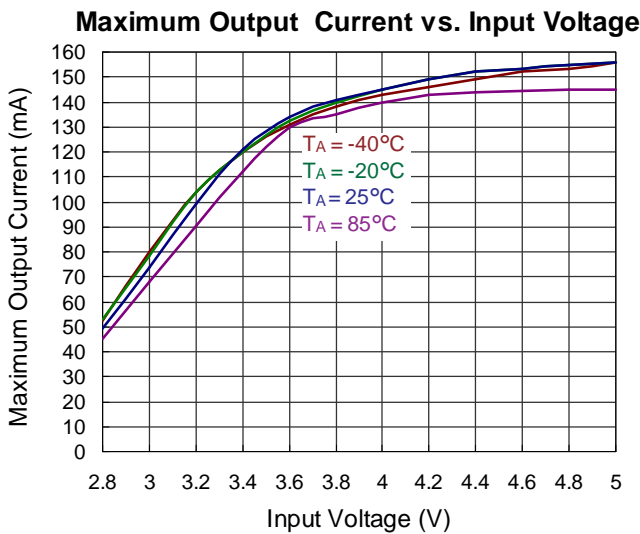
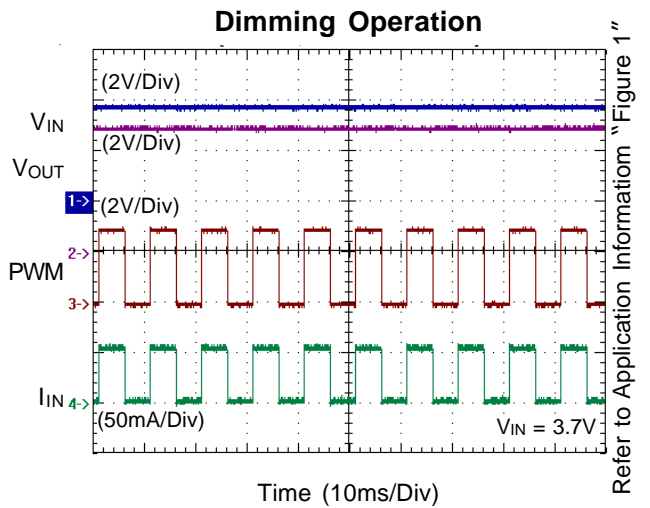
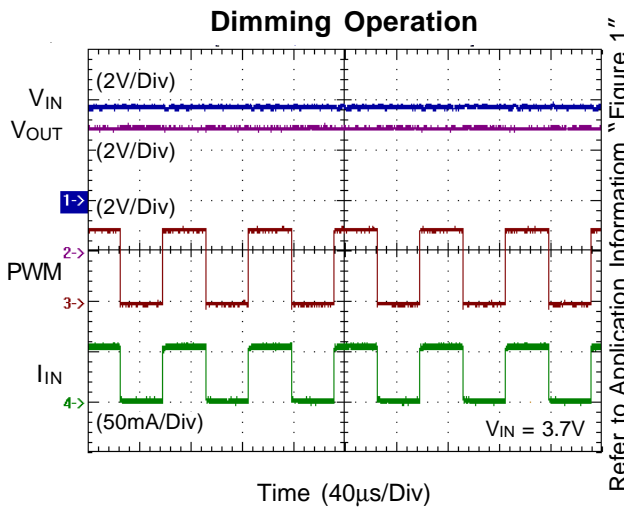
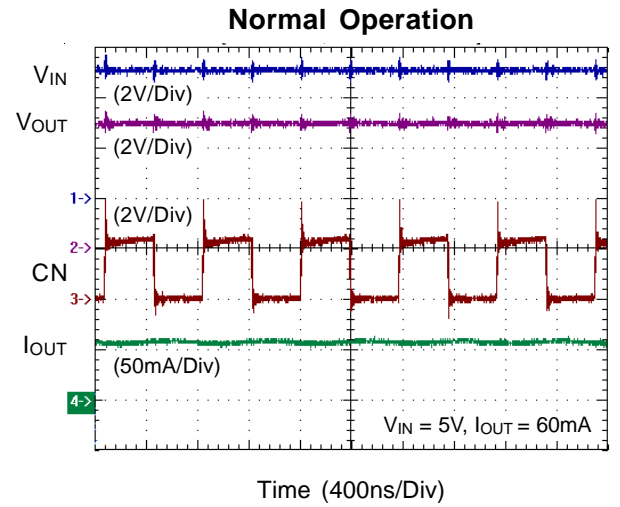
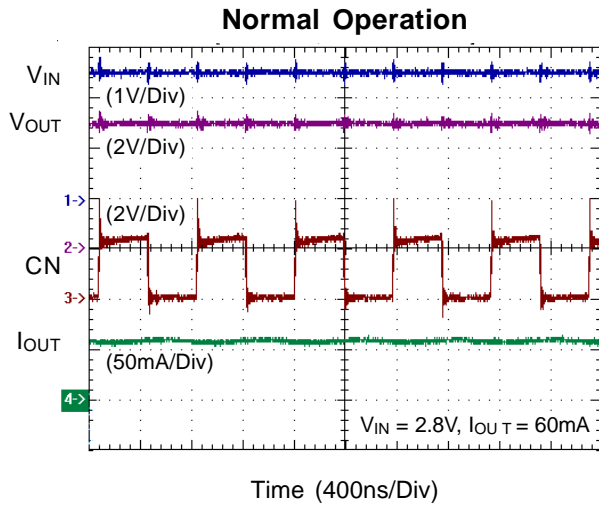
### Output Voltage vs. Temperature



### Operation Frequency vs. Temperature









## Application Information

### Capacitor Selection

Careful selection of the three external capacitors  $C_{IN}$ ,  $C_{OUT}$  and  $C_{PUMP}$  is very important because they will affect ramp-up time, output ripple and transient performance. Optimum performance will be obtained when low ESR ( $<100m\Omega$ ) ceramic capacitors are used for  $C_{IN}$  and  $C_{OUT}$  and  $C_{PUMP}$ . In general, low ESR may be defined as less than  $100m\Omega$ . In all cases, X7R or X5R dielectric are recommended. For particular application, low ESR Tantalum capacitors may be substituted; however optimum output ripple performance may not be realized. Aluminum electrolytic capacitors are not recommended for using with the RT9361A/B due to their inherent high ESR characteristic.

In general, lower values for  $C_{IN}$ ,  $C_{OUT}$  and  $C_{PUMP}$  may be utilized for light load current applications ( $<60mA$ ). Drawing a load current of  $60mA$  or less may use a  $C_{IN}$  and  $C_{OUT}$  capacitor value as low as  $2.2\mu F$  and a  $C_{PUMP}$  value of  $0.22\mu F$ .  $C_{IN}$  and  $C_{OUT}$  may range from  $1\mu F$  for light loads to  $10\mu F$  for heavy output load conditions ( $<110mA$ ).  $C_{PUMP}$  may range from  $0.22\mu F$  for light loads to  $1\mu F$  for heavy output load conditions. If  $C_{PUMP}$  is increased,  $C_{OUT}$  should also be increased by the same ratio to minimize output ripple. As a basic rule, the ratio between  $C_{IN}$ ,  $C_{OUT}$  and  $C_{PUMP}$  should be approximately 10 to 1. Lowering the  $C_{IN}$ ,  $C_{OUT}$  and  $C_{PUMP}$  value can decrease the ramp-up time of  $V_{OUT}$ , but it will increase the output ripple oppositely.

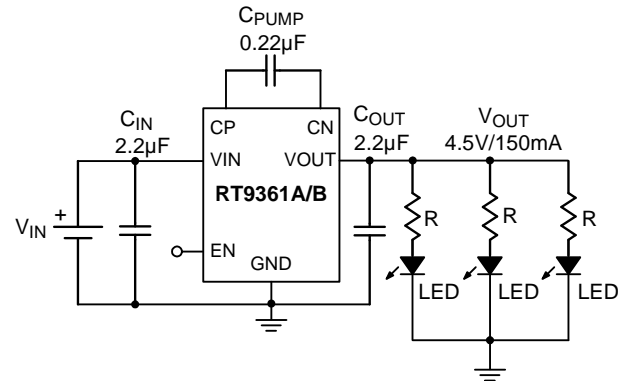


Figure 2. Application Circuits for Flash LEDs

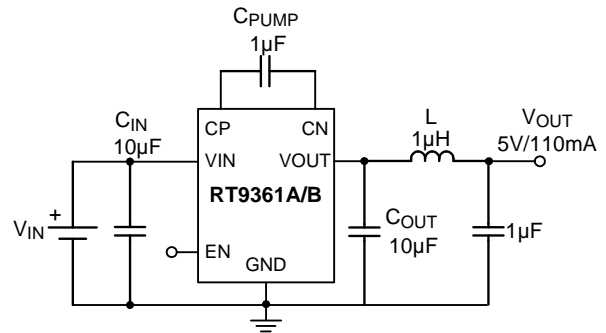


Figure 3. Application Circuits for Constant Load

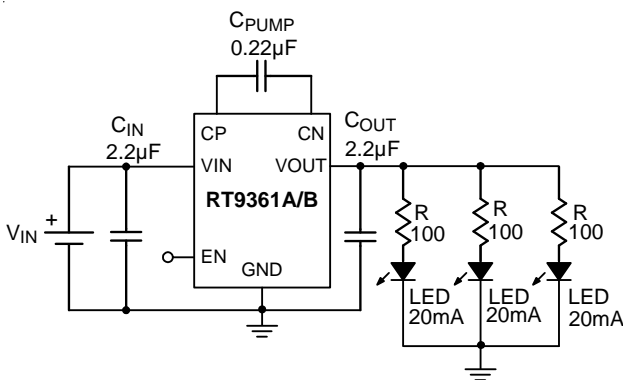


Figure 1. Application Circuits for Backlight Dimming

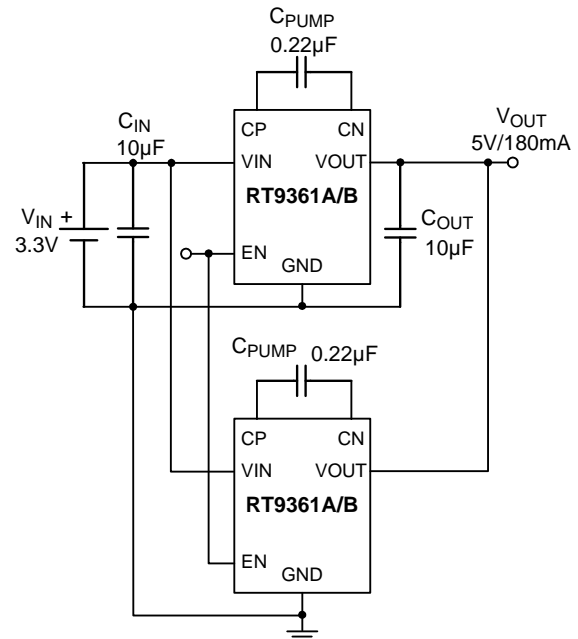


Figure 4. Application Circuits for Doubling the Output Current

## Efficiency

The efficiency of the charge pump regulator varies with the output voltage version, the applied input voltage, the load current, and the internal operation mode of the device.

The approximate efficiency is given by :

$$\text{Efficiency (\%)} = \frac{P_{\text{OUT}}}{P_{\text{IN}}} \times 100 = \frac{V_{\text{OUT}} \times I_{\text{OUT}}}{V_{\text{IN}} \times 2I_{\text{OUT}}} \times 100$$

$$= \frac{V_{\text{OUT}}}{2V_{\text{IN}}} \times 100 \text{ --- (\times 2 Charge Pump Operating Mode)}$$

For a charge pump with an output of 5 volts and a nominal input of 3 volts, the theoretical efficiency is 83.33%. Due to internal switching losses and IC quiescent current consumption, the actual efficiency can be measured as 82.72%.

## Thermal Considerations

The junction temperature should never exceed the absolute maximum junction temperature  $T_{J(\text{MAX})}$ , listed under Absolute Maximum Ratings, to avoid permanent damage to the device. The maximum allowable power dissipation depends on the thermal resistance of the IC package, the PCB layout, the rate of surrounding airflow, and the difference between the junction and ambient temperatures. The maximum power dissipation can be calculated using the following formula :

$$P_{D(\text{MAX})} = (T_{J(\text{MAX})} - T_A) / \theta_{JA}$$

where  $T_{J(\text{MAX})}$  is the maximum junction temperature,  $T_A$  is the ambient temperature, and  $\theta_{JA}$  is the junction-to-ambient thermal resistance.

For continuous operation, the maximum operating junction temperature indicated under Recommended Operating Conditions is 125°C. The junction-to-ambient thermal resistance,  $\theta_{JA}$ , is highly package dependent. For a T/SOT-23-6 package, the thermal resistance,  $\theta_{JA}$ , is 250°C/W on a standard JEDEC 51-3 low effective-thermal-conductivity single-layer test board. For a WDFN-6L 2x2 package, the thermal resistance,  $\theta_{JA}$ , is 165°C/W on a standard JEDEC 51-3 low effective-thermal-conductivity single-layer test board. The maximum power dissipation at  $T_A = 25^\circ\text{C}$  can be calculated as below :

$$P_{D(\text{MAX})} = (125^\circ\text{C} - 25^\circ\text{C}) / (250^\circ\text{C/W}) = 0.4\text{W for a T/SOT-23-6 package.}$$

$$P_{D(\text{MAX})} = (125^\circ\text{C} - 25^\circ\text{C}) / (165^\circ\text{C/W}) = 0.606\text{W for a WDFN-6L 2x2 package.}$$

The maximum power dissipation depends on the operating ambient temperature for the fixed  $T_{J(\text{MAX})}$  and the thermal resistance,  $\theta_{JA}$ . The derating curves in Figure 5 allows the designer to see the effect of rising ambient temperature on the maximum power dissipation.

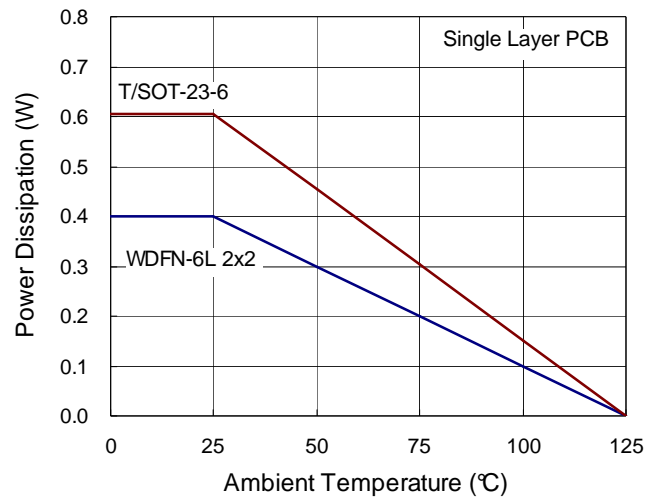


Figure 5. Derating Curve of Maximum Power Dissipation

## PCB Board Layout

The RT9361A/B is a high-frequency switched-capacitor converter, and therefore large transient currents will flow in  $V_{\text{IN}}$  and  $V_{\text{OUT}}$ . For best performance and to minimize ripple, place all of the components as close to IC as possible. Besides a solid ground plane is recommended on the bottom layer of the PCB. The ground of  $C_{\text{IN}}$  and  $C_{\text{OUT}}$  should be connected together and as close to the IC as possible. Figure 6 and Figure 7 shows the typical PCB layout of RT9361A/B EVB board.

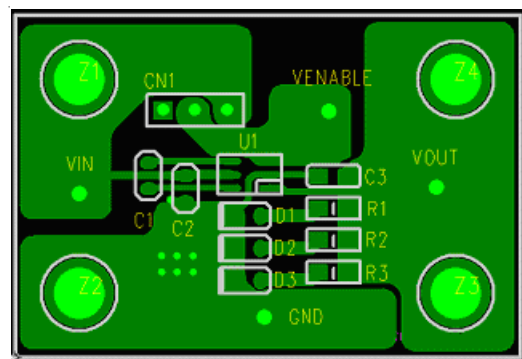


Figure 6

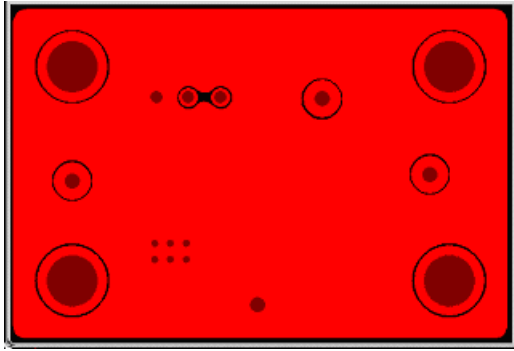
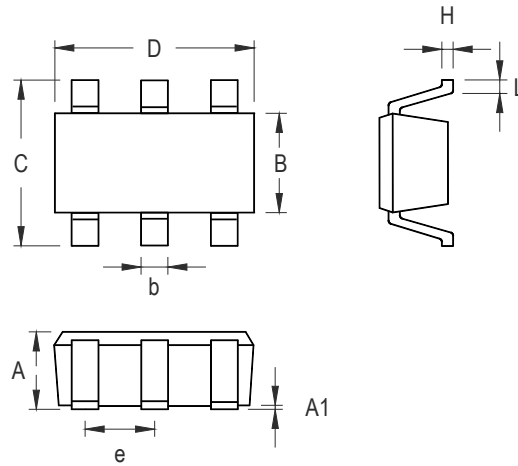


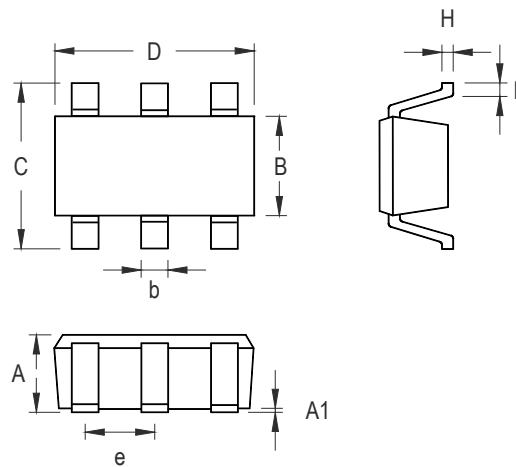
Figure 7

Outline Dimension



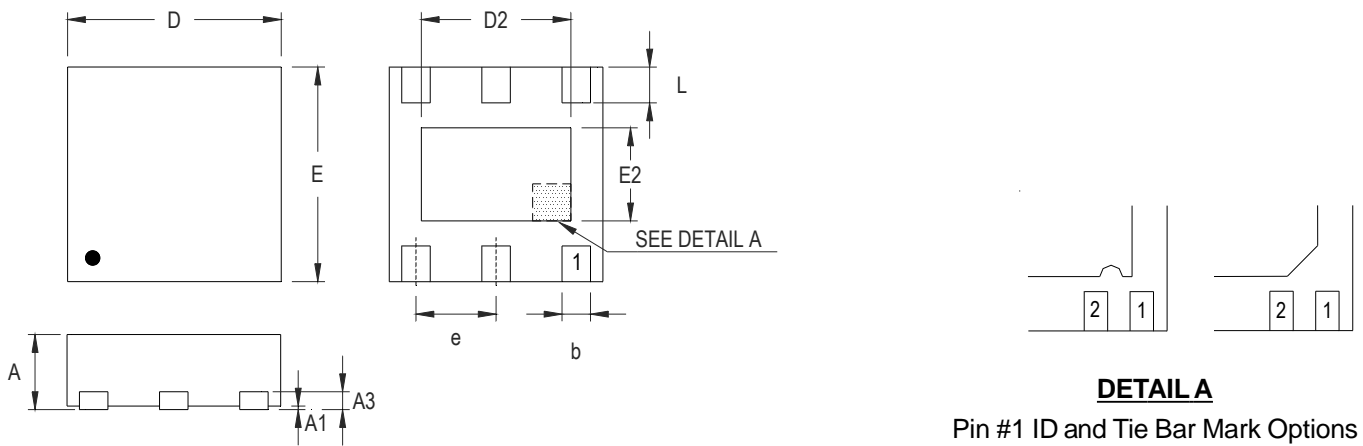
Symbol	Dimensions In Millimeters		Dimensions In Inches	
	Min	Max	Min	Max
A	0.889	1.295	0.031	0.051
A1	0.000	0.152	0.000	0.006
B	1.397	1.803	0.055	0.071
b	0.250	0.560	0.010	0.022
C	2.591	2.997	0.102	0.118
D	2.692	3.099	0.106	0.122
e	0.838	1.041	0.033	0.041
H	0.080	0.254	0.003	0.010
L	0.300	0.610	0.012	0.024

SOT-23-6 Surface Mount Package



Symbol	Dimensions In Millimeters		Dimensions In Inches	
	Min	Max	Min	Max
A	0.700	1.000	0.028	0.039
A1	0.000	0.100	0.000	0.004
B	1.397	1.803	0.055	0.071
b	0.300	0.559	0.012	0.022
C	2.591	3.000	0.102	0.118
D	2.692	3.099	0.106	0.122
e	0.838	1.041	0.033	0.041
H	0.080	0.254	0.003	0.010
L	0.300	0.610	0.012	0.024

**TSOT-23-6 Surface Mount Package**



Pin #1 ID and Tie Bar Mark Options

Note : The configuration of the Pin #1 identifier is optional, but must be located within the zone indicated.

Symbol	Dimensions In Millimeters		Dimensions In Inches	
	Min	Max	Min	Max
A	0.700	0.800	0.028	0.031
A1	0.000	0.050	0.000	0.002
A3	0.175	0.250	0.007	0.010
b	0.200	0.350	0.008	0.014
D	1.950	2.050	0.077	0.081
D2	1.000	1.450	0.039	0.057
E	1.950	2.050	0.077	0.081
E2	0.500	0.850	0.020	0.033
e	0.650		0.026	
L	0.300	0.400	0.012	0.016

W-Type 6L DFN 2x2 Package

**Richtek Technology Corporation**

14F, No. 8, Tai Yuen 1<sup>st</sup> Street, Chupei City  
 Hsinchu, Taiwan, R.O.C.  
 Tel: (8863)5526789

Richtek products are sold by description only. Richtek reserves the right to change the circuitry and/or specifications without notice at any time. Customers should obtain the latest relevant information and data sheets before placing orders and should verify that such information is current and complete. Richtek cannot assume responsibility for use of any circuitry other than circuitry entirely embodied in a Richtek product. Information furnished by Richtek is believed to be accurate and reliable. However, no responsibility is assumed by Richtek or its subsidiaries for its use; nor for any infringements of patents or other rights of third parties which may result from its use. No license is granted by implication or otherwise under any patent or patent rights of Richtek or its subsidiaries.

单击下面可查看定价，库存，交付和生命周期等信息

[>>Richtek\(台湾立锜\)](#)