

## Programmable Frequency Synchronous Buck PWM Controller

### General Description

The RT9232B is a single-phase synchronous buck PWM DC/DC converter controller designed to drive two N-MOSFETs. It provides a highly accurate, programmable output voltage precisely regulated to low voltage requirement with an internal  $0.8V \pm 1\%$  reference.

The RT9232B uses an external compensated, single feedback loop voltage mode PWM control for fast transient response. An oscillator with Programmable frequency (50kHz to 800kHz) reduces the external inductor and capacitor component size for saving PCB board area.

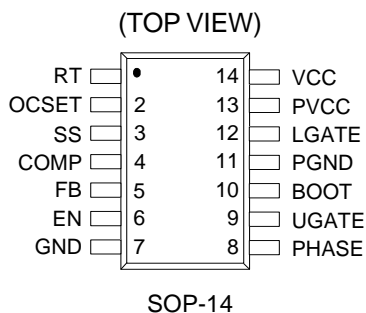
The RT9232B provides fast transient response to satisfy high current output applications (up to 25A) while minimizing external components. It is suitable for high-performance graphic processors, DDR and VTT power.

The RT9232B integrates complete protect functions such as Soft Start, Output Enable, UVLO (under-voltage lockout) and OCP into a small 14-pin package.

### Applications

- System (Graphic, MB) with 12V Power.
- Graphic Cards (AGP 8X, 4X, PCI Express\*16) :
  - ▶ High-Current for High-Performance Graphic Processors (GPU, VPU)
  - ▶ Middle Current for High-Performance Graphic Memory Power (DDR, DDR II)
  - ▶ Low Current with Sink Capacity for High-Performance Graphic Memory Power (DDR/VTT)
- 3.3V to 12V Input DC/DC Regulators
- Low Voltage Distributed Power Supplies

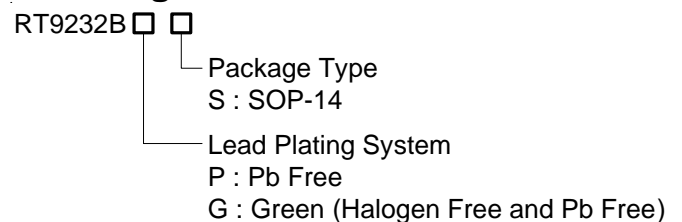
### Pin Configurations



### Features

- Single IC Supply Voltage : 12V
- Single phase DC/DC Buck Converter with
  - ▶ High Output Current (up to 25A)
  - ▶ Low Output Voltage (down to 0.8V)
  - ▶ High Input Voltage (up to 12V)
- Operate from 12V, 5V or 3.3V Input
- $0.8V \pm 1\%$  Internal Reference
- Adaptive Non-Overlapping Gate Drivers
- Integrated High-Current, HV Gate Drivers
- External Programmable Soft Start
- External Programmable Frequency (Range : 50kHz to 800kHz, 200kHz Free Run)
- Provide Over Current Protection by Sensing MOSFET  $R_{DS(ON)}$
- On/Off Control by Enable Pin
- Drives Two N-MOSFET
- Full 0 to 100% Duty Cycle
- Fast Transient Response
- Voltage Mode PWM Control with External Feedback Loop Compensation
- RoHS Compliant and 100% Lead (Pb)-Free

### Ordering Information



Note :

Richtek products are :

- ▶ RoHS compliant and compatible with the current requirements of IPC/JEDEC J-STD-020.
- ▶ Suitable for use in SnPb or Pb-free soldering processes.

## Marking Information

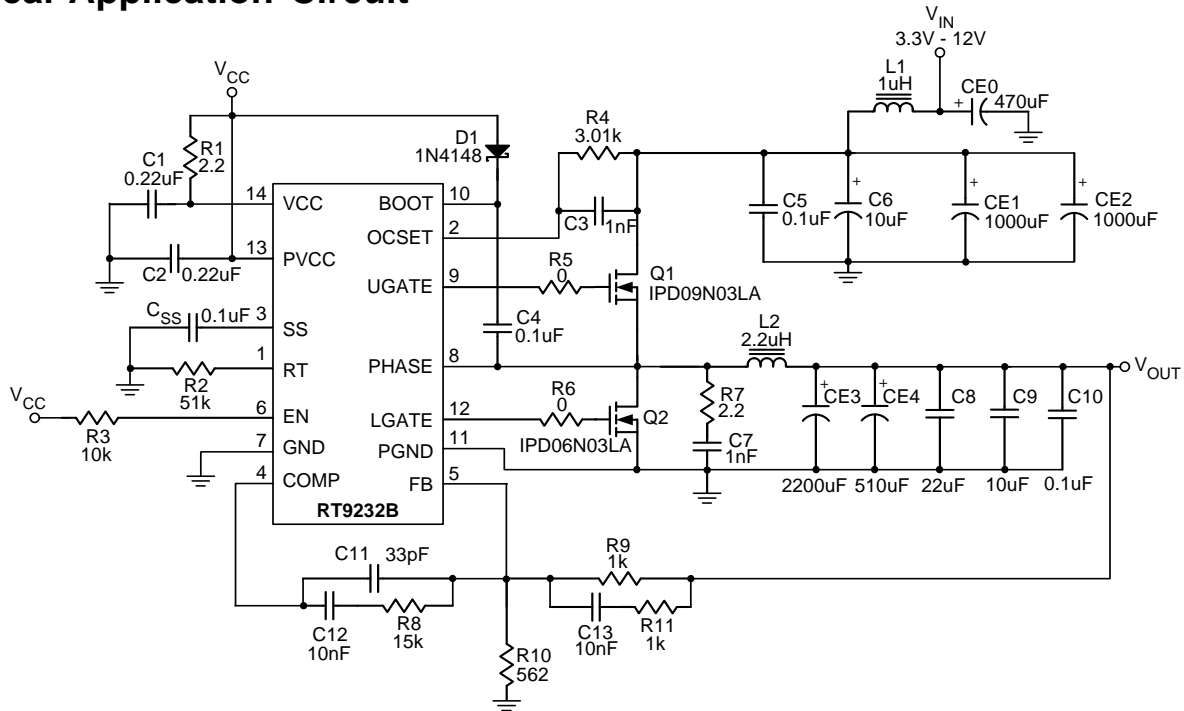
RT9232B  
PSYMDNN

RT9232BPS : Product Number  
YMDNN : Date Code

RT9232B  
GSYMDNN

RT9232BGS : Product Number  
YMDNN : Date Code

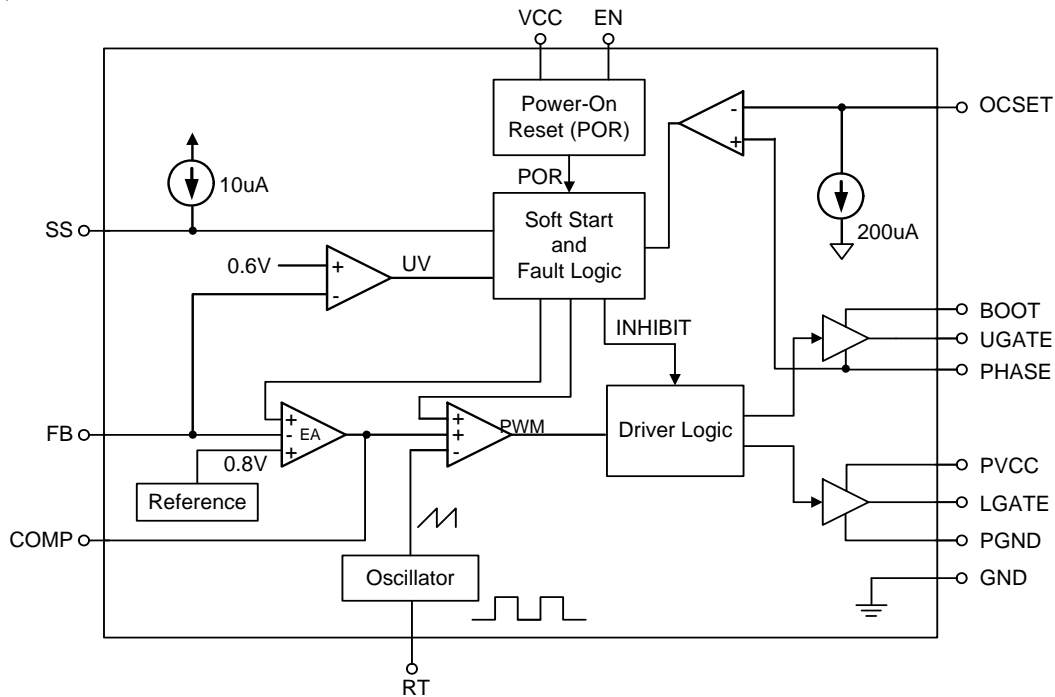
## Typical Application Circuit



## Functional Pin Description

| Pin No. | Pin Name | Pin Function                                 |
|---------|----------|--|
| 1       | RT       | Oscillator Frequency Setting                 |
| 2       | OCSET    | Set Over Current Protection Triggering Level |
| 3       | SS       | Soft Start Time Interval Setting             |
| 4       | COMP     | Feedback Compensation                        |
| 5       | FB       | Voltage Feedback                             |
| 6       | EN       | Chip Enable (Active High)                    |
| 7       | GND      | IC Signal Reference Ground                   |
| 8       | PHASE    | Return Path for Upper MOSFET                 |
| 9       | UGATE    | Upper MOSFET Gate Drive                      |
| 10      | BOOT     | Input Supply for Upper Gate Drive            |
| 11      | PGND     | Power Ground                                 |
| 12      | LGATE    | Lower MOSFET Gate Drive                      |
| 13      | PVCC     | Input Supply for Lower Gate Drive            |
| 14      | VCC      | Internal IC Supply (12V Bias)                |

Function Block Diagram



Operation

Startup

RT9232B initializes automatically after receiving both  $V_{CC}$  and  $V_{IN}$  power. Special power-on sequence is not necessary. The Power-On Reset (POR) function continually monitors input supply voltages and enable voltage. POR function monitors IC power via  $V_{CC}$  pin and external MOSFET power via  $OCSET$  pin. Voltage on  $OCSET$  pin is a fixed voltage drop less than  $V_{IN}$ . When voltages on  $V_{CC}$ ,  $OCSET$ , and  $EN$  pins exceed their thresholds, POR function initializes soft-start operation. POR inhibits driver operation while  $EN$  pin pulls low. Transitioning  $EN$  pin high after input supply voltages ready initializes soft-start operation.

Soft-Start

After POR function releases soft-start operation, an internal  $10\mu A$  current source charges an external capacitor on  $SS$  pin ( $C_{SS}$ ) to  $5V$ . Soft-start function clamps both  $COMP$  &  $FB$  pins to  $SS$  pin voltage & a fixed voltage drop less than  $SS$  pin voltage respectively. Thus upper MOSFET turns on at a limited duty and output current overshoot can be reduced. This method provides a rapid and controlled output voltage rise.

OCP

The OCP function monitors output current by using upper MOSFET  $R_{DS(ON)}$ . The OCP function cycles soft-start function in a hiccup mode. Overcurrent triggering level can be arbitrarily set by adjusting  $R_{OCSET}$ . An Internal  $200\mu A$  current sink makes a voltage drop across  $R_{OCSET}$  from  $V_{IN}$ . When  $V_{PHASE}$  is lower than  $V_{OCSET}$ , OCP function initializes soft-start cycles. The soft-start function discharges  $C_{SS}$  with  $10\mu A$  current sink and disable PWM function. Then soft-start function recharges  $C_{SS}$  and PWM operation resumes. The soft-start hiccup restarts after  $SS$  voltage fully charges to  $4V$  if the output short event still remains. The converter is shutdown permanently after 3 times hiccup and only restarting supply voltages can enable the converter. The OCP function will be triggered as inductor current reach :

$$I_{L(MAX)} = \frac{I_{OCSET} \times R_{OCSET}}{R_{DS(ON)}}$$

To prevent OC form tripping in normal operation,  $R_{OCSET}$  must be carefully chosen with :

1. Maximum  $R_{DS(ON)}$  at highest junction temperature
2. Minimum  $I_{OCSET}$  from specification table
3.  $I_{L(MAX)} > I_{OUT(MAX)} + \Delta I_L / 2$

$\Delta I_L$  = inductor ripple current

### Under Voltage Protection

The under voltage protection function protects the converter from an shorted output by detecting the voltage on FB pin to monitor the output voltage. The UVP function cycles soft-start function in a hiccup mode. When output voltage lower than 75% of designated voltage, UVP function initializes soft-start cycles. The soft-start function discharges  $C_{SS}$  with  $10\mu A$  current sink and disable PWM operation. Then soft-start function recharges  $C_{SS}$  and PWM operation resumes. The soft-start hiccup restarts after SS voltage fully charges to 4V if the output short event still remains. The converter is shutdown permanently after 3 times hiccup and only restarting supply voltages can enable the converter.

**Absolute Maximum Ratings** (Note 1)

- Supply Input Voltage,  $V_{CC}$ ,  $PVCC$ ----- 16V
- BOOT to PHASE,  $V_{BOOT-PHASE}$  ----- 16V
- PHASE to GND
  - DC----- -0.3V to 16V
  - < 200ns ----- -10V to 30V
- BOOT to GND
  - DC----- -0.3V to ( $PVCC + 16V$ )
  - < 200ns ----- -10V to 42V
- UGATE to PHASE
  - DC----- -0.3V to ( $V_{BOOT-PHASE} + 0.3V$ )
  - < 200ns ----- -5V to ( $V_{BOOT-PHASE} + 5V$ )
- UGATE to GND
  - DC----- -0.6V to ( $V_{BOOT-PHASE} + 16.3V$ )
  - < 200ns ----- -15V to ( $V_{BOOT-PHASE} + 35V$ )
- LGATE to GND
  - DC----- -0.3V to ( $PVCC + 0.3V$ )
  - < 200ns ----- -5V to ( $PVCC + 5V$ )
- SS, FB, COMP, RT ----- 6V
- Input, Output or I/O Voltage ----- GND-0.3V to  $V_{CC} + 0.3V$
- Package Thermal Resistance (Note 2)
  - SOP-14,  $\theta_{JA}$  ----- 100°C/W
  - SOP-14,  $\theta_{JC}$  ----- 43°C/W
- Lead Temperature (Soldering, 10 sec.) ----- 260°C
- Junction Temperature ----- 150°C
- Storage Temperature Range ----- -65°C to 150°C
- ESD Susceptibility (Note 3)
  - HBM (Human Body Model) ----- 2kV
  - MM (Machine Model) ----- 150V

**Recommended Operating Conditions** (Note 4)

- Supply Input Voltage,  $V_{CC}$  ----- 12V  $\pm$ 10%
- Supply Voltage to Drain of Upper MOSFETs,  $V_{IN}$  ----- 3.3V, 5V to 12V  $\pm$ 10%
- Ambient Temperature Range ----- -40°C to 85°C
- Junction Temperature Range ----- -40°C to 125°C

**Electrical Characteristics**

( $V_{CC} = 12V$ ,  $T_A = 25^\circ C$ . Unless otherwise specified.)

| Parameter                            | Symbol       | Test Conditions                   | Min | Typ. | Max  | Unit |
|--------------------------------------|--------------|-----------------------------------|-----|------|------|------|
| <b>V<sub>CC</sub> Supply Current</b> |              |                                   |     |      |      |      |
| Nominal Supply Current               | $I_{CC}$     | EN = $V_{CC}$ , UGATE, LGATE open | --  | 3    | --   | mA   |
| <b>Power-On Reset (POR)</b>          |              |                                   |     |      |      |      |
| V <sub>CC</sub> Rising Threshold     | $V_{CC\_ON}$ | VOCSET = 4.5V                     | 8.4 | --   | 10.4 | V    |
| Power On Reset Hysteresis            |              | VOCSET = 4.5V                     | 0.3 | 0.7  | --   | V    |

Copyright ©2015 Richtek Technology Corporation. All rights reserved. **RICHTEK** is a registered trademark of Richtek Technology Corporation.

| Parameter                         | Symbol                | Test Conditions   | Min   | Typ | Max   | Unit             |
|-----------------------------------|-----------------------|---|-------|-----|-------|------------------|
| OCSET Rising Threshold for start  | V <sub>OCSET_ON</sub> |   | --    | 1.5 | 2     | V                |
| Enable Input Threshold (ON)       | V <sub>EN_ON</sub>    | V <sub>OCSET</sub> = 4.5V   | --    | --  | 2     | V                |
| Enable Input Threshold (OFF)      | V <sub>EN_OFF</sub>   | V <sub>OCSET</sub> = 4.5V   | 0.8   | --  | --    | V                |
| Free Running Frequency            | RT9232B               | f <sub>OSC</sub>  | 170   | 200 | 230   | kHz              |
|                                   | Variation             | RT = Open   | -15   | --  | 15    | %                |
|                                   | Variation             | 6k < (RT to GND) < 200k   | -20   | --  | 20    | %                |
| Ramp Amplitude                    | ΔV <sub>OSC</sub>     |   | --    | 1.5 | --    | V <sub>P-P</sub> |
| <b>Reference</b>                  |                       |   |       |     |       |                  |
| Error Amplifier Reference Voltage | V <sub>REF</sub>      |   | 0.792 | 0.8 | 0.808 | V                |
| <b>Error Amplifier</b>            |                       |   |       |     |       |                  |
| DC gain                           |                       |   | --    | 88  | --    | dB               |
| Gain-Bandwidth product            | GBW                   |   | --    | 15  | --    | MHz              |
| Slew Rate                         | SR                    | COMP=10pF   | --    | 6   | --    | V/μs             |
| <b>Soft Start</b>                 |                       |   |       |     |       |                  |
| External SS Source Current        | I <sub>SS</sub>       |   | 7     | 10  | --    | μA               |
| <b>PWM Controller Gate Driver</b> |                       |   |       |     |       |                  |
| Upper Drive Source                | R <sub>UG_SC</sub>    | V <sub>BOOT - PHASE</sub> = 12V<br>V <sub>BOOT - UGATE</sub> = 1V | --    | 5.2 | --    | Ω                |
| Upper Drive Sink                  | R <sub>UG_SK</sub>    | V <sub>BOOT - PHASE</sub> = 1V                                    | --    | 2.7 | --    | Ω                |
| Lower Drive Source                | R <sub>LG_SC</sub>    | V <sub>PVCC - LGATE</sub> = 1V                                    | --    | 3.5 | --    | Ω                |
| Lower Drive Sink                  | R <sub>LG_SK</sub>    | V <sub>LGATE</sub> = 1V   | --    | 1.7 | --    | Ω                |
| <b>Driving Capability</b>         |                       |   |       |     |       |                  |
| Upper Drive Source                | I <sub>UG_SC</sub>    | V <sub>BOOT - UGATE</sub> = 12V                                   | --    | 1.0 | --    | A                |
| Upper Drive Sink                  | I <sub>UG_SK</sub>    | V <sub>UGATE - PHASE</sub> = 12V                                  | --    | 2.0 | --    | A                |
| Lower Drive Source                | I <sub>LG_SC</sub>    | V <sub>PVCC - LGATE</sub> = 12V                                   | --    | 1.6 | --    | A                |
| Lower Drive Sink                  | I <sub>LG_SK</sub>    | V <sub>LGATE - GND</sub> = 12V                                    | --    | 3.2 | --    | A                |
| <b>Protection</b>                 |                       |   |       |     |       |                  |
| OCSET Current Source              | I <sub>OCSET</sub>    | V <sub>OCSET</sub> = 11.5V  | 170   | 200 | 230   | μA               |
| Under-Voltage Protection          |                       | FB Falling  | 0.5   | 0.6 | 0.7   | V                |
| Under-Voltage Protection Delay    |                       |   | --    | 30  | --    | μs               |

**Note 1.** Stresses beyond those listed “Absolute Maximum Ratings” may cause permanent damage to the device. These are stress ratings only, and functional operation of the device at these or any other conditions beyond those indicated in the operational sections of the specifications is not implied. Exposure to absolute maximum rating conditions may affect device reliability.

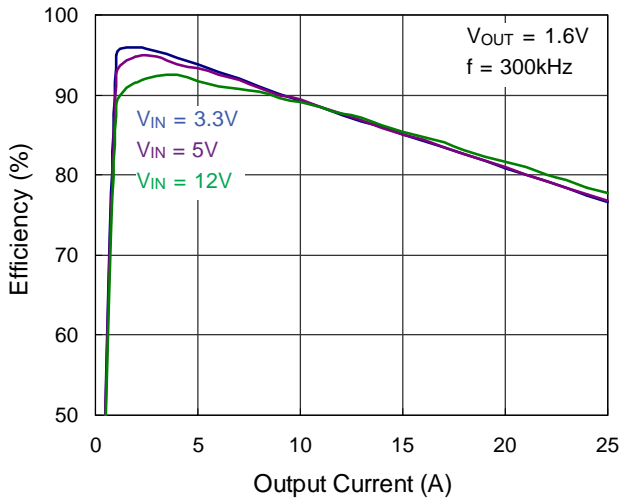
**Note 2.** θ<sub>JA</sub> is measured at T<sub>A</sub> = 25°C on a low effective thermal conductivity single-layer test board per JEDEC 51-3.

**Note 3.** Devices are ESD sensitive. Handling precaution recommended.

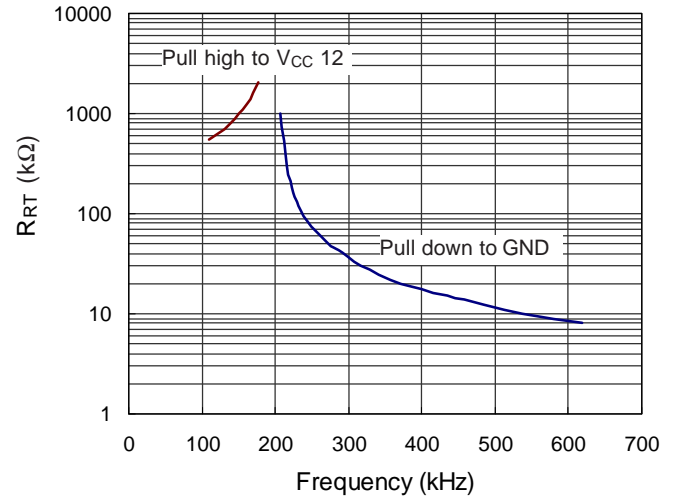
**Note 4.** The device is not guaranteed to function outside its operating conditions.

## Typical Operating Characteristics

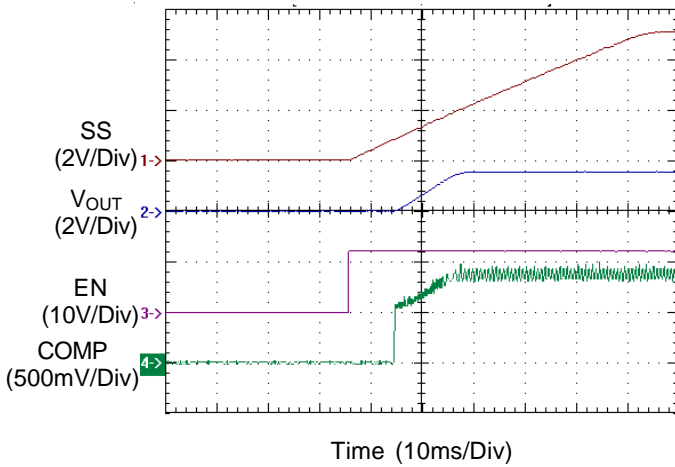
### Efficiency vs. Output Current



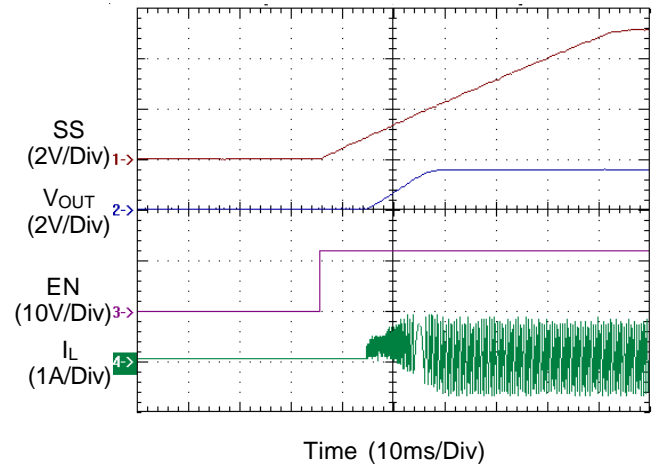
### R<sub>RT</sub> vs. Oscillator Frequency



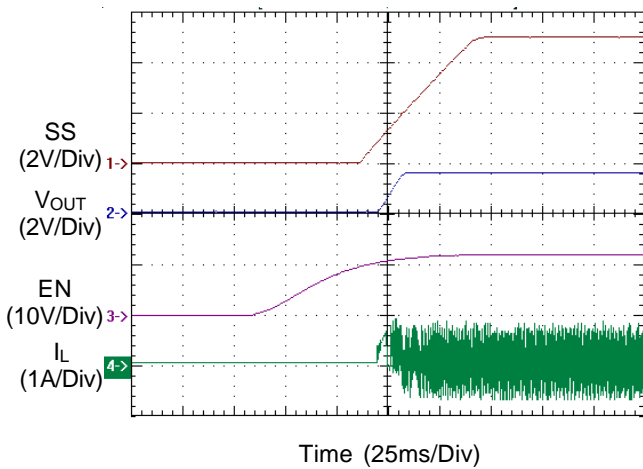
### Power On



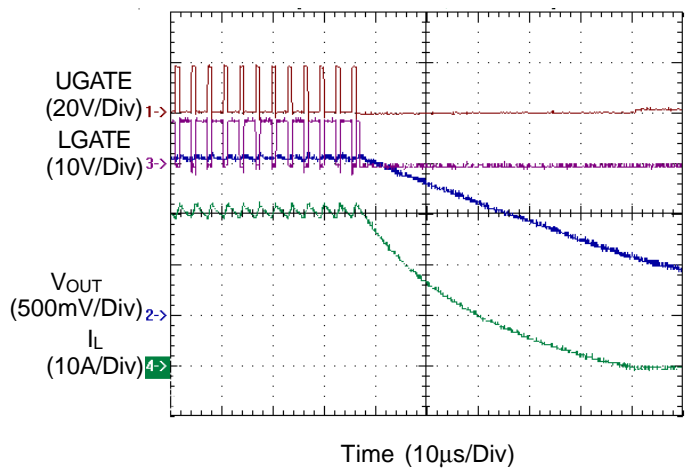
### Power On



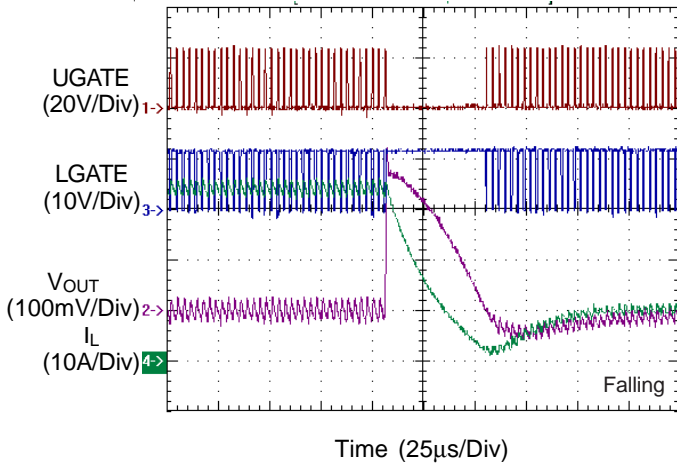
### Power On



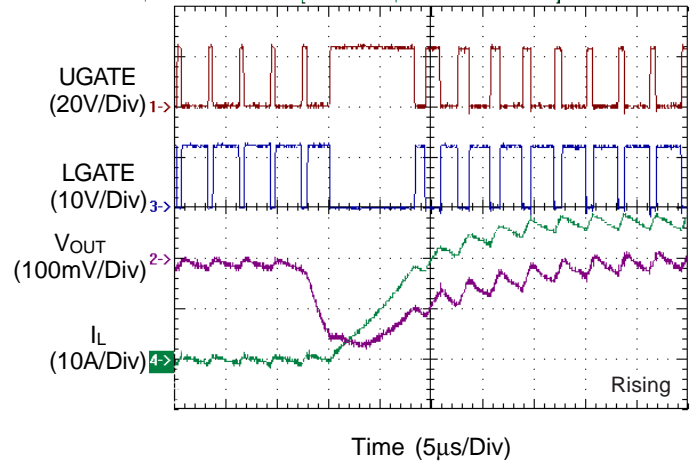
### Power Off



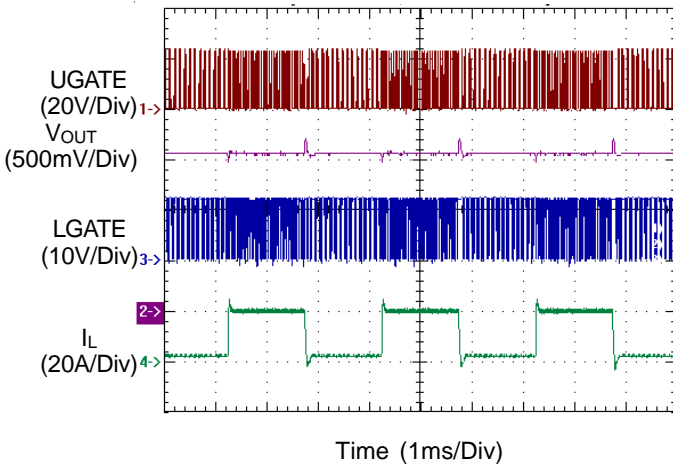
### Load Transient Response



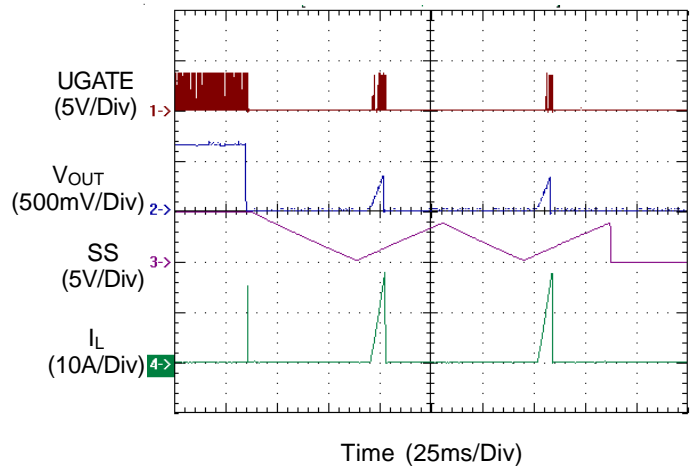
### Load Transient Response



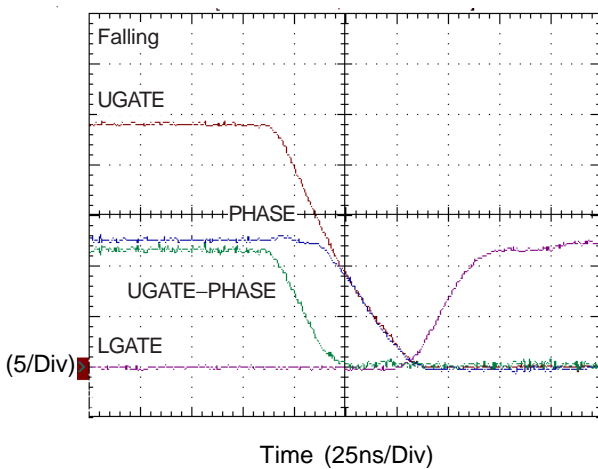
### Load Transient Response



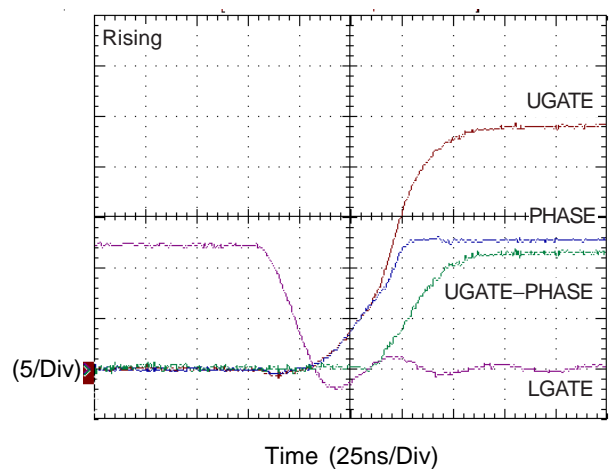
### OCP



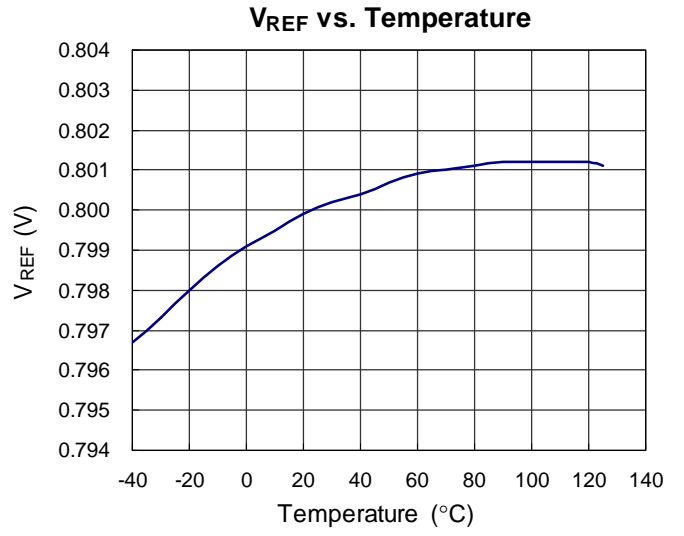
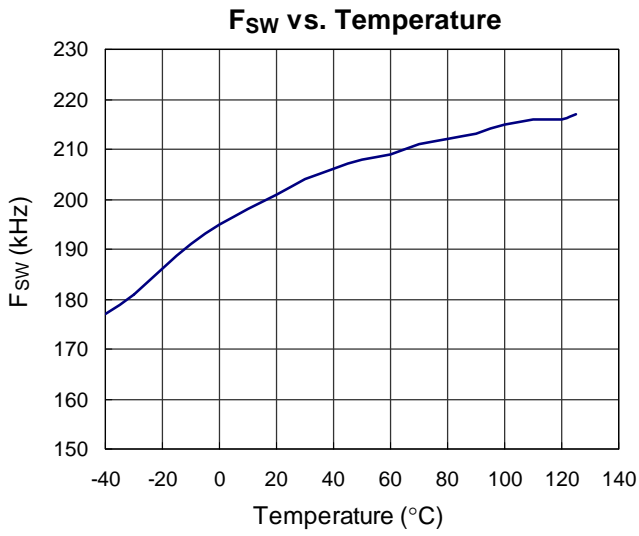
### Dead Time



### Dead Time







## Application Information

The RT9232B is a single-phase synchronous buck PWM DC-DC controller designed to drive two N-MOSFETs. It provides a highly accurate, programmable output voltage precisely regulated to low voltage requirement with an internal  $0.8V \pm 1\%$  reference.

### Initialization

The RT9232B automatically initiates its softstart cycle only after  $V_{CC}$  and  $V_{IN}$  power and chip enabling signals are ready. There is no special power-on sequence should be took care especially while implement the chip in. The internal Power-On Reset (POR) logic continually monitors the voltage level of input power and enabling pin; in which the IC supply power is monitored via  $V_{CC}$  pin and input power  $V_{IN}$  is via OCSET pin. An internal current source with driving capability of  $200\mu A$  causes a fixed voltage drop across the resistor connecting  $V_{IN}$  to OCSET pin. The RT9232B internal logic will deem the input voltage ready once the voltage of OCSET pin is high than  $1.5V$ . The preferred  $V_{IN}$  ready level could be set by selecting an appropriate resistor  $R_{OCSET}$  as :

$$R_{SENSE} < \frac{V_{IN\_READY} - 1.5V}{200\mu A} \Omega$$

Once all voltages of  $V_{CC}$ , OCSET, and EN pins ramp higher than the internal specific thresholds. The internal POR logic will initialize the softstart operation then. Moreover, the POR inhibits driver operation while pulling the EN pin low. Transitioning EN pin high after input supply voltages ready to initialize soft-start operation.

### Soft-Start

The behavior of RT9232B Soft-Start can be simply described as shown in Figure.1 below; and the Soft-Start can be sliced to several time-frames with specific operation respectively.

#### T0~T1

The RT9232B initiates the softstart cycle as shown in Figure 1 when POR function is OK. An internal  $10\mu A$  current source charges an external capacitor on SS pin ( $C_{SS}$ ) to  $5V$ . The softstart function produces an SSE signal that is equal to  $SS - 0.8V$ . Error Amplifier (EA) and PWM

comparator are triple-input devices. The non-inverting input whichever is smaller dominates the behavior of the devices. During  $T0 \sim T1$ , since SS is smaller than the sawtooth valley, the PWM comparator outputs low no matter what the COMP voltage is.

#### T1~T2

SSE ramps up and dominates the behavior of EA during  $T1 \sim T2$ . EA regulates COMP appropriately so that FB ramps up along the SSE curve. The output voltage ramps up accordingly. Thus upper MOSFET turns on at a limited duty and output current overshoot can be reduced.

It is noted that lower MOSFET keeps off before the upper MOSFET starts switching. This method provides smooth start up when there is residual voltage on output capacitors. The output voltage delay time and ramp up time are calculated as Equation (1) and (2) respectively.

$$T1 - T0 = \frac{0.8V \times C_{SS}}{10\mu A} \text{ (s)} \tag{1}$$

$$T2 - T1 = \frac{0.8V \times C_{SS}}{10\mu A} \text{ (s)} \tag{2}$$

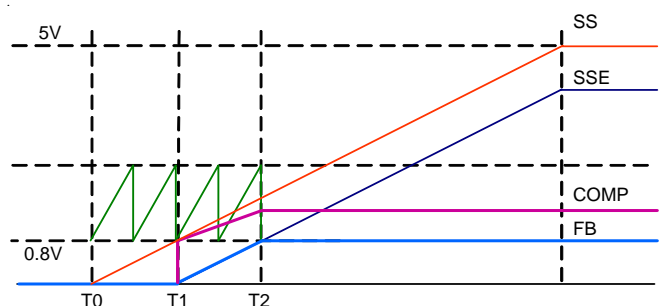
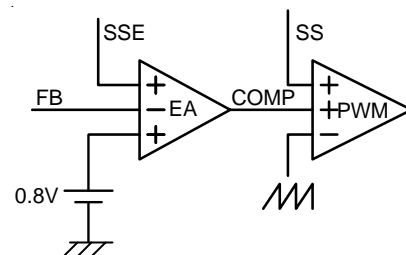


Figure 1. Timing diagram of softstart

### Switching Frequency Setting

The default switching frequency is 200kHz when RT pin left open. A resistor connected ( $R_{RT}$ ) from RT pin to ground increases the switching frequency as Equation (3).

$$f_{OSC} = 200\text{kHz} + \frac{2.9 \times 10^6}{R_{RT}(\Omega)} \text{kHz} \quad (3) \quad (R_{RT} \text{ to GND})$$

Conversely, connecting a pull-up resistor ( $R_{RT}$ ) from RT pin reduces the switching frequency according to Equation (4)

$$f_{OSC} = 200\text{kHz} - \frac{33 \times 10^6}{R_{RT}(\Omega)} \text{kHz} \quad (4) \quad (R_{RT} \text{ to } V_{CC} = 12\text{V})$$

### Under Voltage Protection

The under voltage protection is enabled when the RT9232B is activated and SS voltage is higher than 4V. The UVP function is specified for protecting the converter from an instant output short circuit during normal operation. The RT9232B continuously monitors the output voltage by detecting the voltage on FB pin. The UVP function is triggered and initiates the hiccup cycles when output voltage lower than 75% of designated voltage with a 30us delay.

Hiccup cycle turns off both upper and lower MOSFET first. An internal 10uA current sink discharges the softstart capacitor  $C_{SS}$ . SS pin voltage ramps down linearly. When SS pin voltage touches 0V, hiccup cycle releases and normal softstart cycle takes over. When SS voltage is higher than 4V, the UVP function is enabled again. The hiccup cycle restarts if the output short event still remains. The converter is shutdown permanently after 3 times hiccup and only restarting supply voltages can enable the converter.

Note that triggering the POR function or EN will reset the hiccup counter. Make sure that  $V_{CC}$ , EN and OCSET pin voltages are higher than their respective trip level when output short circuit occurs or the UVP function may not latch up the converter causing permanent damage to the converter.

### Component Selection

Components should be appropriately selected to ensure stable operation, fast transient response, high efficiency, minimum BOM cost and maximum reliability.

### Output Inductor Selection

The selection of output inductor is based on the considerations of efficiency, output power and operating frequency. For a synchronous buck converter, the ripple current of inductor ( $\Delta I_L$ ) can be calculated as follows :

$$\Delta I_L = (V_{IN} - V_{OUT}) \times \frac{V_{OUT}}{V_{IN} \times f_{OSC} \times L} \quad (5)$$

Generally, an inductor that limits the ripple current between 20% and 50% of output current is appropriate. Make sure that the output inductor could handle the maximum output current and would not saturate over the operation temperature range.

### Output Capacitor Selection

The output capacitors determine the output ripple voltage ( $\Delta V_{OUT}$ ) and the initial voltage drop after a high slew-rate load transient. The selection of output capacitor depends on the output ripple requirement. The output ripple voltage is described as Equation (6).

$$\Delta V_{OUT} = \Delta I_L \times ESR + \frac{1}{8} \times \frac{V_{OUT}}{f_{OSC}^2 \times L \times C_{OUT}} (1-D) \quad (6)$$

For electrolytic capacitor application, typically 90~95% of the output voltage ripple is contributed by the ESR of output capacitors. Paralleling lower ESR ceramic capacitor with the bulk capacitors could dramatically reduce the equivalent ESR and consequently the ripple voltage.

### Input Capacitor Selection

Use mixed types of input bypass capacitors to control the input voltage ripple and switching voltage spike across the MOSFETs. The buck converter draws pulsewise current from the input capacitor during the on time of upper MOSFET. The RMS value of ripple current flowing through the input capacitor is described as :

$$I_{IN(RMS)} = I_{OUT} \times \sqrt{D \times (1-D)} \quad (7)$$

The input bulk capacitor must be cable of handling this ripple current. Sometime, for higher efficiency the low ESR capacitor is necessarily. Appropriate high frequency ceramic capacitors physically near the MOSFETs effectively reduce the switching voltage spikes.

**MOSFET Selection**

The selection of MOSFETs is based upon the considerations of  $R_{DS(ON)}$ , gate driving requirements, and thermal management requirements. The power loss of upper MOSFET consists of conduction loss and switching loss and is expressed as :

$$P_{UPPER} = P_{COND\_UPPER} + P_{SW\_UPPER} \tag{8}$$

$$= I_{OUT}^2 \times R_{DS(ON)} \times D + \frac{1}{2} I_{OUT} \times V_{IN} \times (T_{RISE} + T_{FALL}) \times f_{OSC}$$

where  $T_{RISE}$  and  $T_{FALL}$  are rising and falling time of  $V_{DS}$  of upper MOSFET respectively.  $R_{DS(ON)}$  and  $Q_G$  should be simultaneously considered to minimize power loss of upper MOSFET.

The power loss of lower MOSFET consists of conduction loss, reverse recovery loss of body diode, and conduction loss of body diode and is expressed as :

$$P_{LOWER} = P_{COND\_LOWER} + P_{RR} + P_{DIODE} \tag{9}$$

$$= I_{OUT}^2 \times R_{DS(ON)} \times (1-D) + Q_{RR} \times V_{IN} \times f_{OSC} + \frac{1}{2} I_{OUT} \times V_F \times T_{DIODE} \times f_{OSC}$$

where  $T_{DIODE}$  is the conducting time of lower body diode.

Special control scheme is adopted to minimize body diode conducting time. As a result, the  $R_{DS(ON)}$  loss dominates the power loss of lower MOSFET. Use MOSFET with adequate  $R_{DS(ON)}$  to minimize power loss and satisfy thermal requirements.

**Feedback Compensation**

Figure 2 highlights the voltage-mode control loop for a synchronous buck converter. Figure 3 shows the corresponding Bode plot. The output voltage ( $V_{OUT}$ ) is regulated to the reference voltage. The error amplifier EA output (COMP) is compared with the oscillator (OSC) sawtooth wave to provide a pulse-width modulated (PWM) wave with an amplitude of  $V_{IN}$  at the PHASE node. The PWM wave is smoothed by the output filter (L and  $C_{OUT}$ ).

The modulator transfer function is the small-signal transfer function of  $V_{OUT}/COMP$ . This function is dominated by a DC gain and the output filter (L and  $C_{OUT}$ ), with a double pole break frequency at  $F_{P\_LC}$  and a zero at  $F_{Z\_ESR}$ . The DC gain of the modulator is simply the input voltage ( $V_{IN}$ ) divided by the peak-to-peak oscillator voltage  $\Delta V_{OSC}$ .

The break frequency  $F_{LC}$  and  $F_{ESR}$  are expressed as Equation (10) and (11) respectively.

$$F_{P\_LC} = \frac{1}{2\pi \sqrt{LC_{OUT}}} \tag{10}$$

$$F_{Z\_ESR} = \frac{1}{2\pi \times ESR \times C_{OUT}} \tag{11}$$

The compensation network consists of the error amplifier EA and the impedance networks  $Z_{IN}$  and  $Z_{FB}$ . The goal of the compensation network is to provide a closed loop transfer function with the highest DC gain, the highest 0dB crossing frequency ( $F_C$ ) and adequate phase margin. Typically,  $F_C$  in range 1/5~1/10 of switching frequency is adequate. The higher  $F_C$  is, the faster dynamic response is. A phase margin in the range of 45°C~ 60°C is desirable.

The equations below relate the compensation network's poles, zeros and gain to the components ( $R1$ ,  $R2$ ,  $R3$ ,  $C1$ ,  $C2$ , and  $C3$ ) in Figure 2.

$$F_{Z1} = \frac{1}{2\pi \times R2 \times C1} \tag{12}$$

$$F_{Z2} = \frac{1}{2\pi \times (R1+R3) \times C3} \tag{13}$$

$$F_{P1} = \frac{1}{2\pi \times R2 \times \frac{C1 \times C2}{C1 + C2}} \tag{14}$$

$$F_{P2} = \frac{1}{2\pi \times R3 \times C3} \tag{15}$$

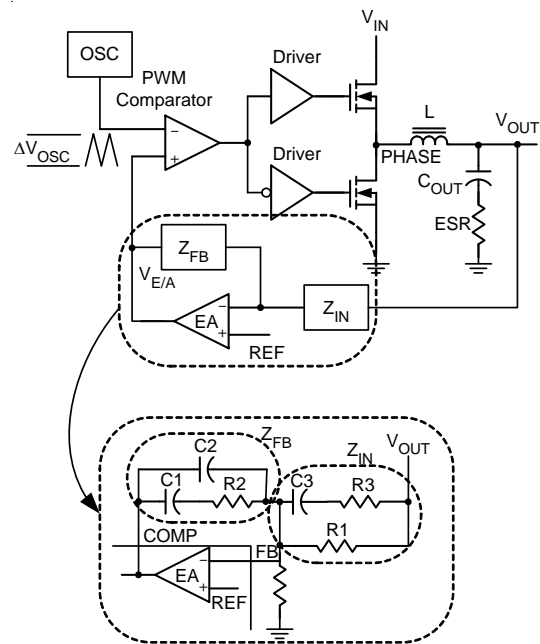


Figure 2

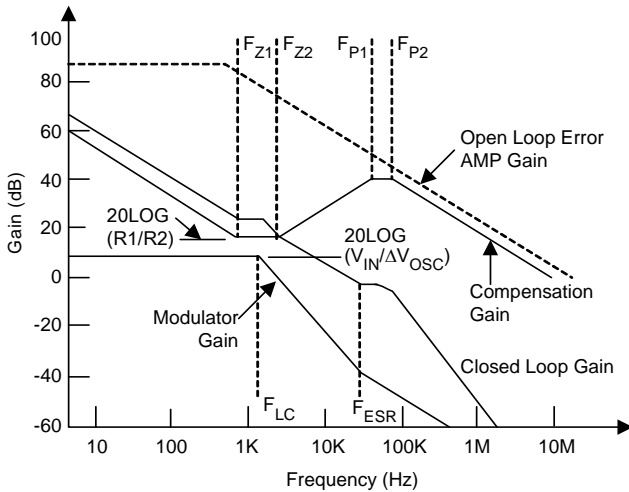


Figure 3

**Feedback Loop Design Procedure**

Use these guidelines for locating the poles and zeros of the compensation network :

1. Pick Gain ( $R_2/R_1$ ) for desired 0dB crossing frequency ( $F_C$ ).
2. Place 1<sup>ST</sup> zero  $F_{Z1}$  below modulator's double pole  $F_{LC}$  (~75%  $F_{LC}$ ).
3. Place 2<sup>ND</sup> zero  $F_{Z2}$  at modulator's double pole  $F_{LC}$ .
4. Place 1<sup>ST</sup> pole  $F_{P1}$  at the ESR zero  $F_{Z\_ESR}$ .
5. Place 2<sup>ND</sup> pole  $F_{P2}$  at half the switching frequency.
6. Check gain against error amplifier's open-loop gain.
7. Pick  $R_{FB}$  for desired output voltage.
8. Estimate phase margin and repeat if necessary.

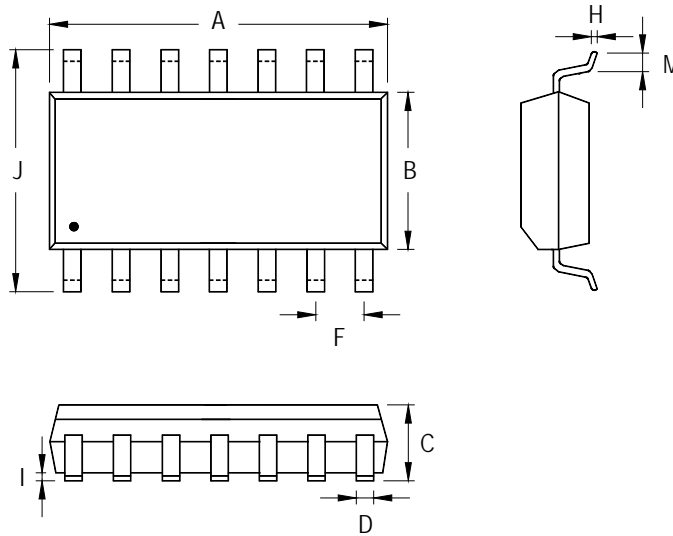
**Layout Consideration**

Layout is very important in high frequency switching converter design. If designed improperly, the PCB could radiate excessive noise and contribute to the converter instability. First, place the PWM power stage components. Mount all the power components and connections in the top layer with wide copper areas. The MOSFETs of Buck, inductor, and output capacitor should be as close to each other as possible. This can reduce the radiation of EMI due to the high frequency current loop. If the output capacitors are placed in parallel to reduce the ESR of capacitor, equal sharing ripple current should be considered. Place the input capacitor directly to the drain

of high-side MOSFET. The MOSFETs of linear regulator should have wide pad to dissipate the heat. In multilayer PCB, use one layer as power ground and have a separate control signal ground as the reference of the all signal. To avoid the signal ground is effect by noise and have best load regulation, it should be connected to the ground terminal of output. Furthermore, follows below guidelines can get better performance of IC :

- (1). The IC needs a bypassing ceramic capacitor as a R-C filter to isolate the pulse current from power stage and supply to IC, so the ceramic capacitor should be placed adjacent to the IC.
- (2). Place the high frequency ceramic decoupling close to the power MOSFETs.
- (3). The feedback part should be placed as close to IC as possible and keep away from the inductor and all noise sources.
- (4). The components of bootstraps should be closed to each other and close to MOSFETs.
- (5).The PCB trace from  $U_g$  and  $L_g$  of controller to MOSFETs should be as short as possible and can carry 1A peak current.
- (6). Place all of the components as close to IC as possible.

Outline Dimension



| Symbol | Dimensions In Millimeters |       | Dimensions In Inches |       |
|--------|---------------------------|-------|----------------------|-------|
|        | Min                       | Max   | Min                  | Max   |
| A      | 8.534                     | 8.738 | 0.336                | 0.344 |
| B      | 3.810                     | 3.988 | 0.150                | 0.157 |
| C      | 1.346                     | 1.753 | 0.053                | 0.069 |
| D      | 0.330                     | 0.508 | 0.013                | 0.020 |
| F      | 1.194                     | 1.346 | 0.047                | 0.053 |
| H      | 0.178                     | 0.254 | 0.007                | 0.010 |
| I      | 0.102                     | 0.254 | 0.004                | 0.010 |
| J      | 5.791                     | 6.198 | 0.228                | 0.244 |
| M      | 0.406                     | 1.270 | 0.016                | 0.050 |

14-Lead SOP Plastic Package

Richtek Technology Corporation

14F, No. 8, Tai Yuen 1<sup>st</sup> Street, Chupei City  
 Hsinchu, Taiwan, R.O.C.  
 Tel: (8863)5526789

Richtek products are sold by description only. Richtek reserves the right to change the circuitry and/or specifications without notice at any time. Customers should obtain the latest relevant information and data sheets before placing orders and should verify that such information is current and complete. Richtek cannot assume responsibility for use of any circuitry other than circuitry entirely embodied in a Richtek product. Information furnished by Richtek is believed to be accurate and reliable. However, no responsibility is assumed by Richtek or its subsidiaries for its use; nor for any infringements of patents or other rights of third parties which may result from its use. No license is granted by implication or otherwise under any patent or patent rights of Richtek or its subsidiaries.

单击下面可查看定价，库存，交付和生命周期等信息

[>>Richtek\(台湾立锜\)](#)