

Tiny Package, Low Dropout Current Source

General Description

The RT9300A/B low-dropout bias supply for white LEDs is a high-performance alternative to the simple ballast resistors used in conventional white LED designs. The RT9300A/B uses an internal resistor to set the bias current for four LEDs, which are matched to 5%. The RT9300A/B's advantages over ballast resistors include much lower bias variation with supply voltage variation, significantly lower dropout voltage, and in some applications, significantly improved efficiency. The RT9300A/B requires only a 60/45mV dropout voltage at a 20/15mA load on each output to match the LED brightness.

Ordering Information

RT9300A/B	□	□
	Package Type	E : SOT-23-6
	Lead Plating System	P : Pb Free G : Green (Halogen Free and Pb Free)
	Sink Current	A : 20mA B : 15mA

Note :

Richtek products are :

- ▶ RoHS compliant and compatible with the current requirements of IPC/JEDEC J-STD-020.
- ▶ Suitable for use in SnPb or Pb-free soldering processes.

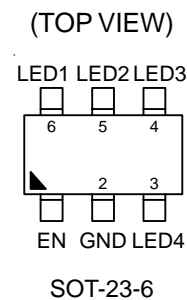
Features

- Low 60/45mV Dropout at 20/15mA
- 5% LED Current Matching
- Simple LED Brightness Control
- 2.5V to 5.5V Supply Voltage Range
- Thermal Shutdown Protection
- RoHS Compliant and 100% Lead (Pb)-Free

Applications

- Next-Generation Wireless Handsets
- PDAs, Palmtops, and Handy Terminals
- Digital Cameras, Camcorders
- Battery-Powered Equipment

Pin Configurations



Marking Information

For marking information, contact our sales representative directly or through a Richtek distributor located in your area.

Typical Application Circuit

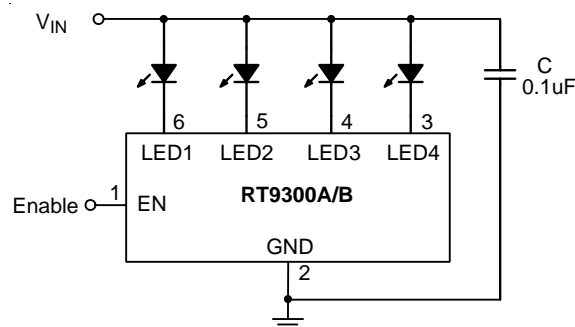


Figure 1. Application Circuit for Backlight.

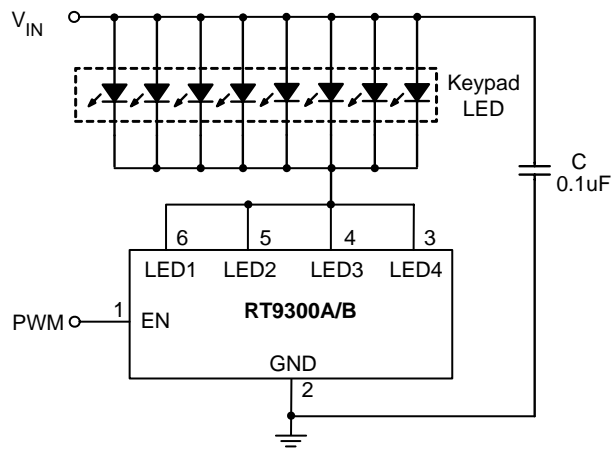
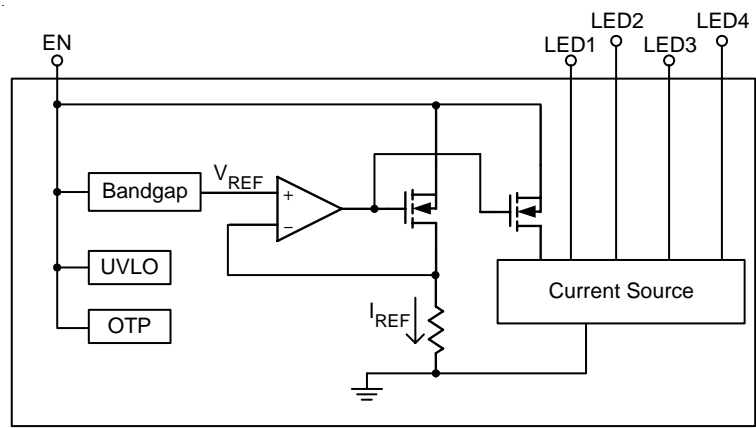


Figure 2. Application Circuit for Keypad.

Function Block Diagram



Functional Pin Description

Pin	Name	Function
1	EN	Chip Enable (Active High).
2	GND	Ground
3	LED4	LED4 Cathode Connection. Current flowing into LED4 is Constant. (20mA/15 mA) LED4 is High Impedance when EN is Low.
4	LED3	LED3 Cathode Connection. Current flowing into LED3 is Constant. (20mA/15 mA) LED3 is High Impedance when EN is Low.
5	LED2	LED2 Cathode Connection. Current flowing into LED2 is Constant. (20mA/15 mA) LED2 is High Impedance when EN is Low.
6	LED1	LED1 Cathode Connection. Current flowing into LED1 is Constant. (20mA/15 mA) LED1 is High Impedance when EN is Low.

Absolute Maximum Ratings (Note 1)

- Supply Input Voltage, V_{IN} ----- -0.3V to 6V
- The other pins ----- -0.3V to 6V
- Power Dissipation, P_D @ $T_A = 25^\circ\text{C}$
 SOT-23-6 ----- 0.4W
- Package Thermal Resistance (Note 2)
 SOT-23-6, θ_{JA} ----- 250°C/W
- Lead Temperature (Soldering, 10 sec.) ----- 260°C
- Operation Temperature Range ----- -40°C to 85°C
- Junction Temperature ----- 150°C
- Storage Temperature Range ----- -65°C to 150°C
- ESD Susceptibility (Note 3)
 HBM (Human Body Mode) ----- 2kV
 MM (Machine Mode) ----- 200V

Recommended Operating Conditions (Note 4)

- Junction Temperature Range ----- -40°C to 125°C
- Ambient Temperature Range ----- -40°C to 85°C

Electrical Characteristics

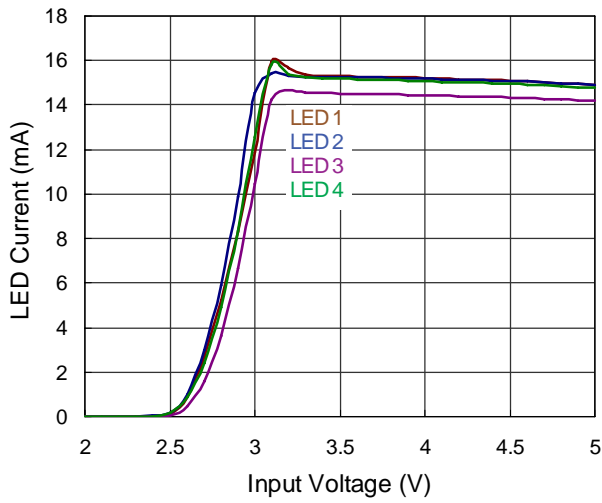
($V_{IN} = 3.7\text{V}$, $T_A = 25^\circ\text{C}$, Unless Otherwise specification)

Parameter	Symbol	Test Conditions	Min	Typ	Max	Unit
System Supply Input						
Operation Voltage Range	V_{EN}		2.5	--	5.5	V
Under Voltage Lock Out	$V(\text{UVLO})$	Falling	--	2.1	--	V
UVLO Hysteresis			--	100	--	mV
LED Sink Current		RT9300A	18	20	22	mA
		RT9300B	13.5	15	16.5	
Quiescent Current	I_{EN}	$I_{LED} = 0$	--	--	600	uA
LED Dropout Voltage		$I_{LED} = 20\text{mA}$	--	60	--	mV
		$I_{LED} = 15\text{mA}$	--	45	--	
LED Current Deviation Matching			--	--	5	%
EN High-Level Input Voltage	V_{EN_H}		2.5	--	--	V
EN Low-Level Input Voltage	V_{EN_L}		--	--	0.7	V
OTP			--	170	--	°C
OTP Hysteresis			--	10	--	°C
Shutdown Current	I_{SHDN}	$V_{EN} < 0.4\text{V}$	--	--	1	uA

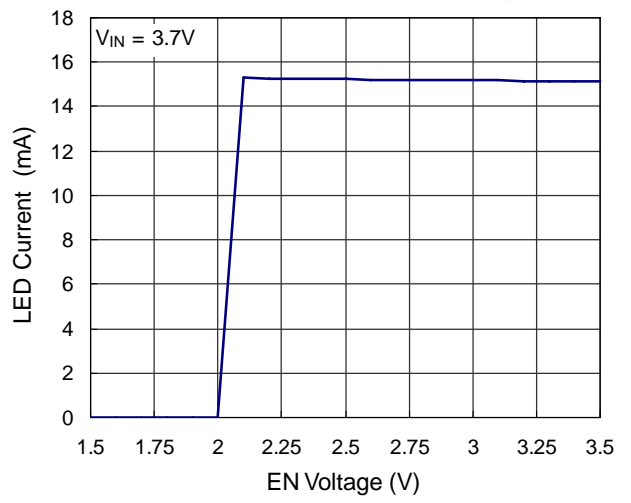
- Note 1.** Stresses listed as the above “Absolute Maximum Ratings” may cause permanent damage to the device. These are for stress ratings. Functional operation of the device at these or any other conditions beyond those indicated in the operational sections of the specifications is not implied. Exposure to absolute maximum rating conditions for extended periods may remain possibility to affect device reliability.
- Note 2.** θ_{JA} is measured in the natural convection at $T_A = 25^\circ\text{C}$ on a low effective single layer thermal conductivity test board of JEDEC 51-3 thermal measurement standard.
- Note 3.** Devices are ESD sensitive. Handling precaution is recommended.
- Note 4.** The device is not guaranteed to function outside its operating conditions.
- Note 5.** Floating connection or pull low to disable this function.

Typical Operating Characteristics

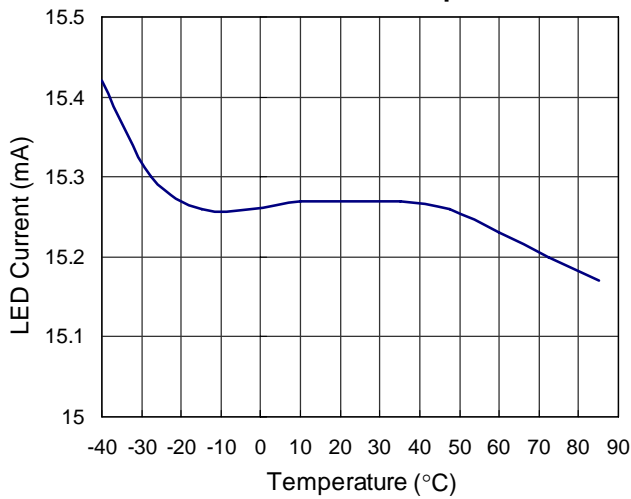
LED Current vs. Input Voltage



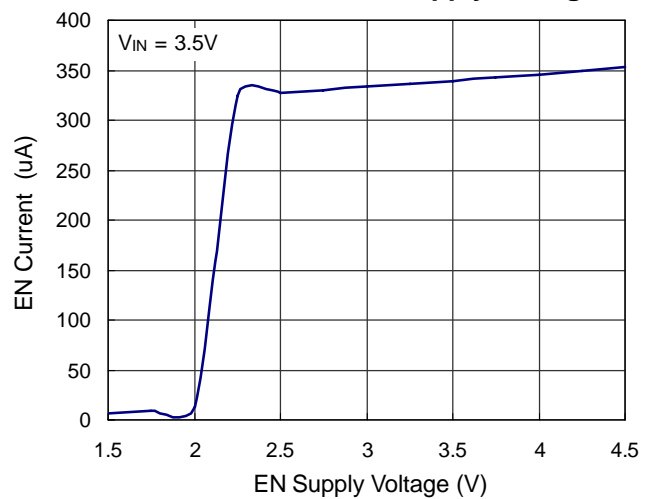
LED Current vs. EN Voltage



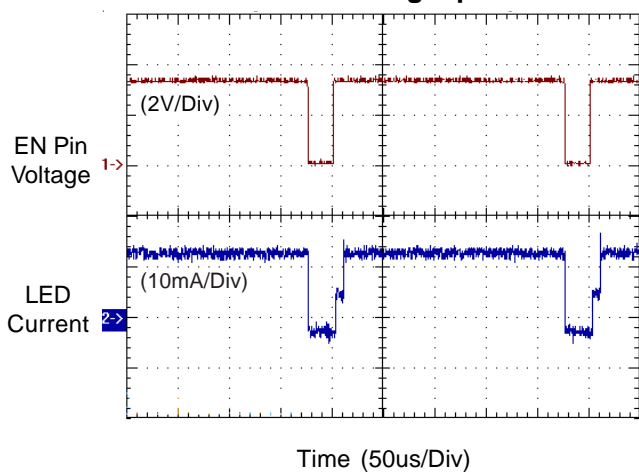
LED Current vs. Temperature



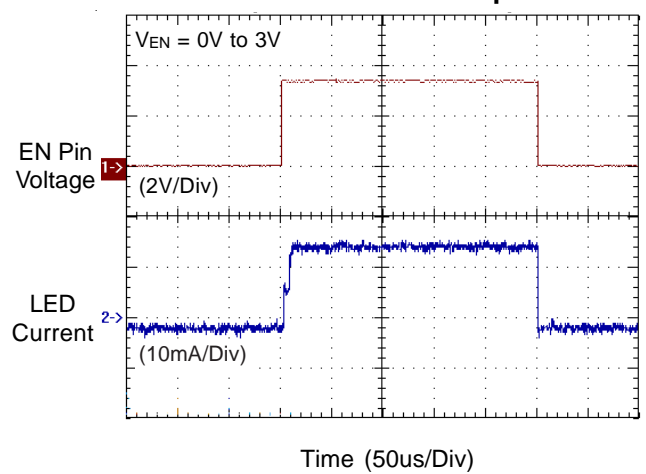
EN Current vs. EN Supply Voltage

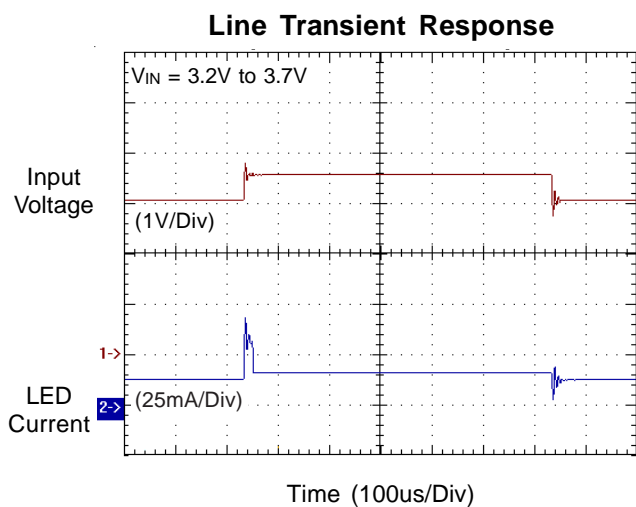


EN Pin Dimming Operation



EN Pin Shutdown Response





Applications Information

The RT9300A/B is a 4-Channel current source driver for white LEDs.

Enable Input

EN powers the input of the RT9300A/B. This IC provides an under voltage lockout (UVLO) function to prevent it from unstable issue when startup. The UVLO threshold of input falling voltage is set at 2.1V typically with a hysteresis 0.1V. Drive EN high to enable the device; drive EN low to disable the device. When driven high, EN draws 350uA to power the IC. Driving EN low forces LED1, LED2, LED3, and LED4 into a high-impedance state.

LED Current

RT9300A/B provides a constant current for white LED. Figure 1 shows a typical application circuit for 4 white LEDs. Each channel supports up to 20mA/15mA current and regulates a constant current for uniform intensity. For keypad LED application, the all channels must be connected to LED as shown in Figure 2. In order to maintain LED constant current, the input voltage must provide the required LED forward voltage and current source dropout voltage. If the forward voltage of white LEDs is 3.3V, the input voltage should be higher than 3.4V to provide enough voltage headroom for maintaining constant brightness.

LED Brightness Dimming Control

For controlling the LED brightness, the RT9300A/B can perform the dimming control by applying a PWM signal to EN pin. When an external PWM signal is connected to the EN pin, brightness of white LED is adjusted by the duty cycle. The average LED current is proportional to the PWM signal duty cycle. The magnitude of the PWM signal must be higher than the minimum level of enable input high level, in order to let the dimming control perform correctly, the suggested PWM frequency range is 10kHz to 200Hz.

Thermal Considerations

For continuous operation, do not exceed absolute maximum operation junction temperature 125°C. The maximum power dissipation depends on the thermal resistance of IC package, PCB layout, the rate of

surroundings airflow and temperature difference between junction to ambient. The maximum power dissipation can be calculated by following formula :

$$P_{D(MAX)} = (T_{J(MAX)} - T_A) / \theta_{JA}$$

Where $T_{J(MAX)}$ is the maximum operation junction temperature 125°C, T_A is the ambient temperature and the θ_{JA} is the junction to ambient thermal resistance.

For recommended operating conditions specification of RT9300, where $T_{J(MAX)}$ is the maximum junction temperature of the die (125°C) and T_A is the maximum ambient temperature. The junction to ambient thermal resistance θ_{JA} is layout dependent. For SOT-23-6 packages, the thermal resistance θ_{JA} is 250°C/W on the standard JEDEC 51-3 single-layer thermal test board. The maximum power dissipation at $T_A = 25^\circ\text{C}$ can be calculated by following formula :

$$P_{D(MAX)} = (125^\circ\text{C} - 25^\circ\text{C}) / (250^\circ\text{C/W}) = 0.4\text{W for SOT-23-6 packages}$$

The maximum power dissipation depends on operating ambient temperature for fixed $T_{J(MAX)}$ and thermal resistance θ_{JA} . For RT9300 packages, the Figure 1 of derating curves allows the designer to see the effect of rising ambient temperature on the maximum power allowed.

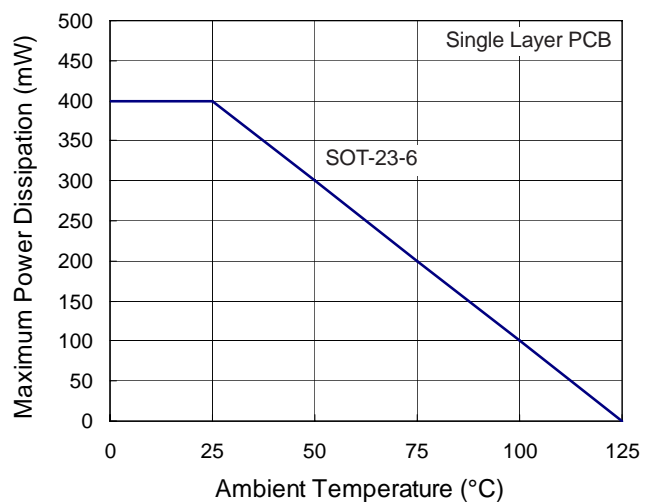


Figure 1. Derating Curves for RT9300 Packages

Layout Considerations

For best performance, careful PCB layout is necessary. All peripheral components should be placed as close to the IC as possible. A short connection is highly recommended. The following guidelines should be strictly followed when designing a PCB layout for the RT9300A/B.

- ▶ All the traces of LED and VIN running from chip to LEDs should be wide and short to reduce the parasitic connection resistance.
- ▶ The capacitor should be placed close to the anodes of LEDs and connected to ground plane.
- ▶ The GND should be connected to a strong ground plane for heat sinking and noise protection.

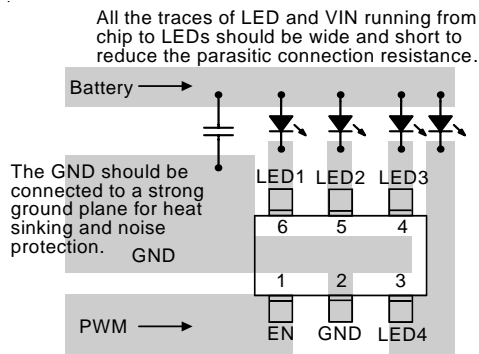
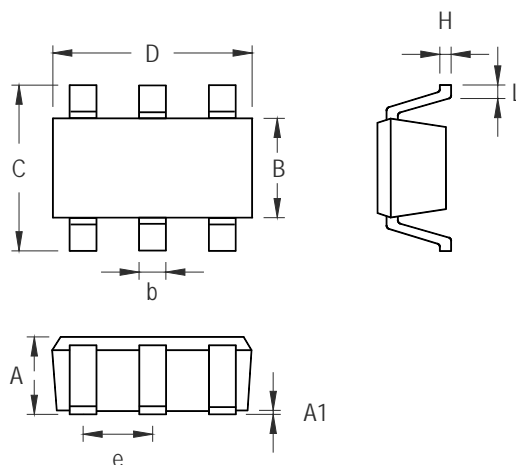


Figure 2

Outline Dimension



Symbol	Dimensions In Millimeters		Dimensions In Inches	
	Min	Max	Min	Max
A	0.889	1.295	0.031	0.051
A1	0.000	0.152	0.000	0.006
B	1.397	1.803	0.055	0.071
b	0.250	0.560	0.010	0.022
C	2.591	2.997	0.102	0.118
D	2.692	3.099	0.106	0.122
e	0.838	1.041	0.033	0.041
H	0.080	0.254	0.003	0.010
L	0.300	0.610	0.012	0.024

SOT-23-6 Surface Mount Package

Richtek Technology Corporation

Headquarter
 5F, No. 20, Taiyuen Street, Chupei City
 Hsinchu, Taiwan, R.O.C.
 Tel: (8863)5526789 Fax: (8863)5526611

Richtek Technology Corporation

Taipei Office (Marketing)
 5F, No. 95, Minchiuan Road, Hsintien City
 Taipei County, Taiwan, R.O.C.
 Tel: (8862)86672399 Fax: (8862)86672377
 Email: marketing@richtek.com

Information that is provided by Richtek Technology Corporation is believed to be accurate and reliable. Richtek reserves the right to make any change in circuit design, specification or other related things if necessary without notice at any time. No third party intellectual property infringement of the applications should be guaranteed by users when integrating Richtek products into any application. No legal responsibility for any said applications is assumed by Richtek.

单击下面可查看定价，库存，交付和生命周期等信息

[>>Richtek\(台湾立锜\)](#)